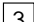


THIS DOCUMENT CONTAINS CONFIDENTIAL OR PROPRIETARY INFORMATION WHICH IS THE PROPERTY OF QSC, LLC, THAT MAY NOT BE DISCLOSED, REPRODUCED OR USED WITHOUT EXPRESS WRITTEN CONSENT FROM QSC, LLC. NO PORTION OF THIS DOCUMENT MAY BE REPRODUCED, REDISTRIBUTED, OR OTHERWISE DISCLOSED TO ANY THIRD PARTY WITHOUT QSC'S WRITTEN PERMISSION.

NOTES: UNLESS OTHERWISE SPECIFIED

1. NET WEIGHT APPROX. 49.9 KG [110 LBS].

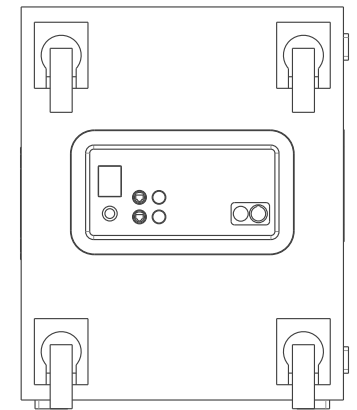
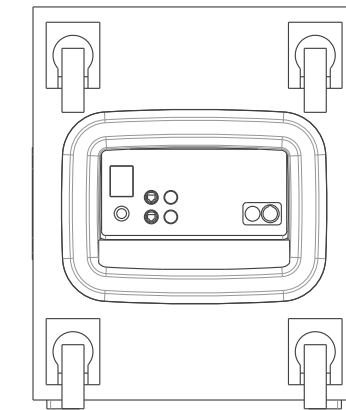
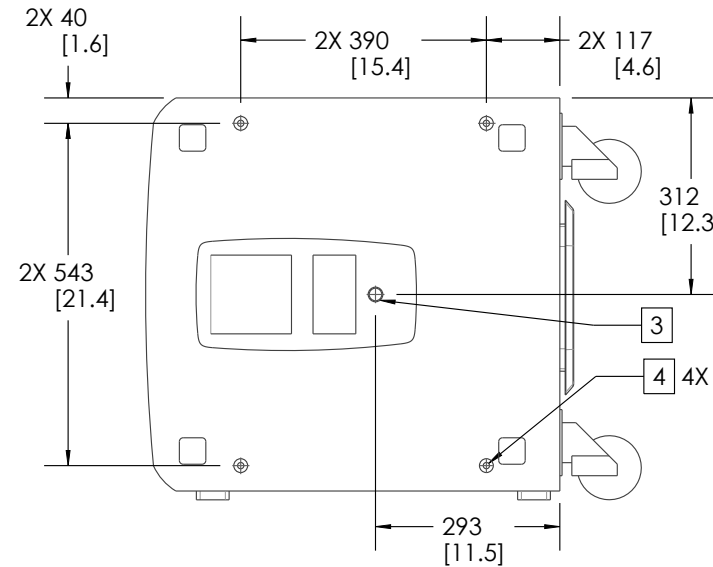
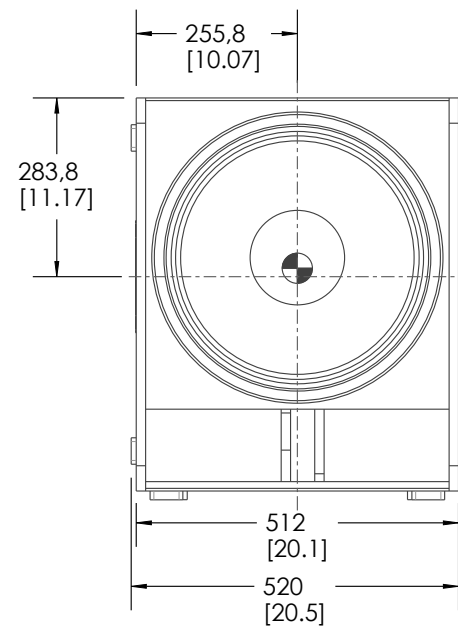
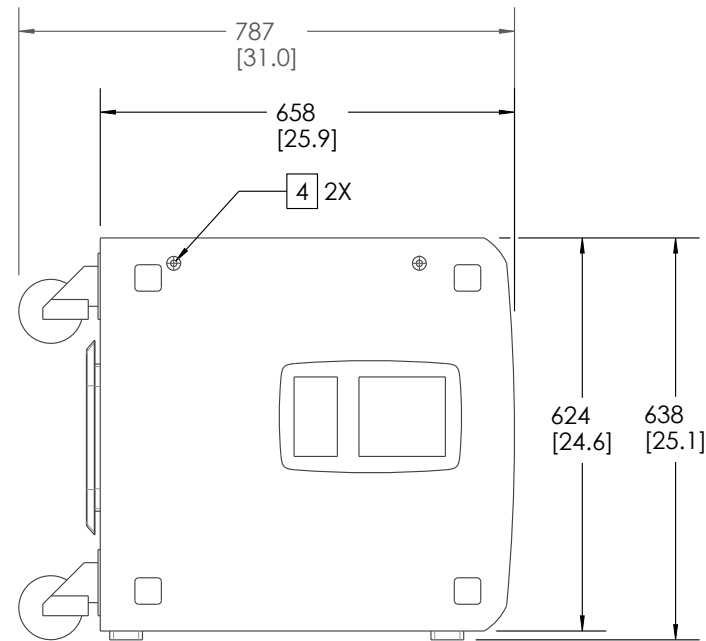
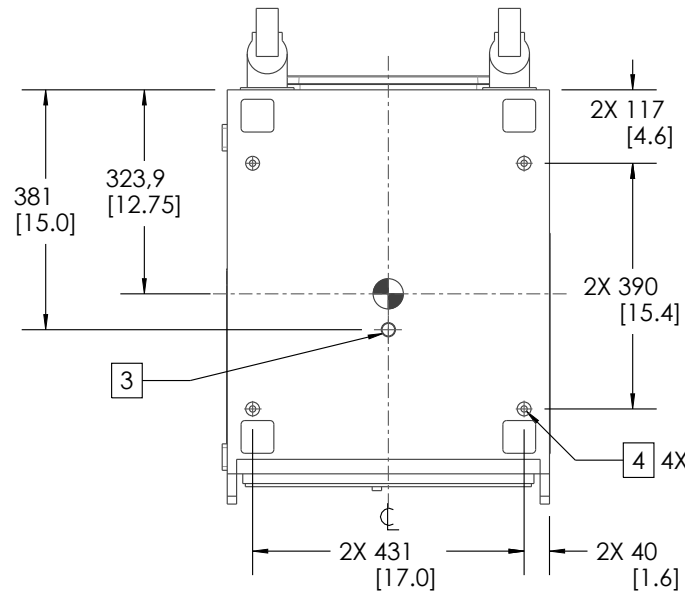
2. SYMBOL  INDICATES CENTER OF GRAVITY.

3. SYMBOL  INDICATES POLE MOUNT LOCATION, M20 THREAD, 2 PLACES.

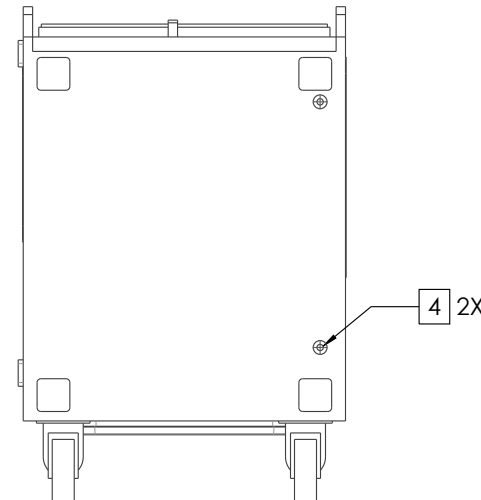
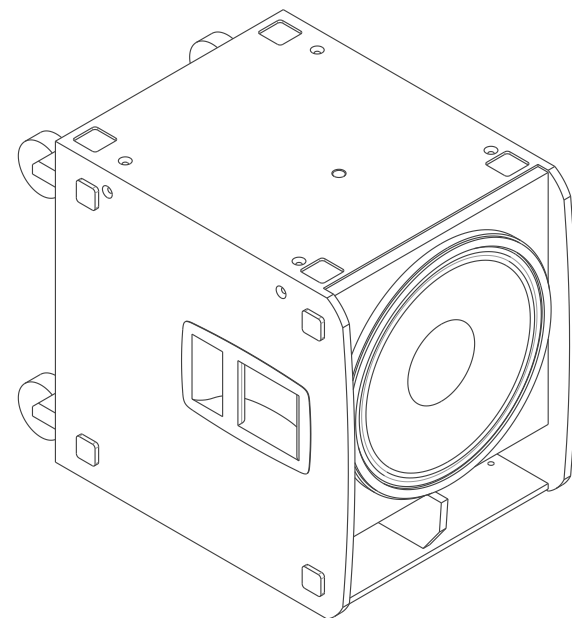
4. SYMBOL  INDICATES SUSPENSION POINT, M10 THREAD, 12 PLACES.

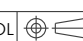
5. GRILLE NOT SHOWN FOR CLARITY.

REVISION			
REV	DESCRIPTION	BY	DATE
A	INITIAL RELEASE	MD	03-OCT-22
B	UPDATED CASTERS	TA	30-AUG-24



WITHOUT WEATHER COVER



UNLESS OTHERWISE SPECIFIED DIMENSIONS ARE IN MM [IN]	
DECIMALS X ± 3 [.12] .X ±	ANGLES ± 1°
MATERIAL N/A	FINISH N/A
DO NOT SCALE DRAWING	
PROJECTION SYMBOL 	

CAD GENERATED DRAWING DO NOT MANUALLY UPDATE	
APPROVALS	
DRAWN BY M. DAVILA	
MECH ENGINEER T. AMUNDSON	
TECH DIRECTOR R. VAUCHER	
MFG ENGINEER C. YOMOGIDA	

QSC QSC, LLC
1675 MACARTHUR BOULEVARD
COSTA MESA, CA 92626 USA

**LOUDSPEAKER, LS118,
100-240V**

SIZE B	CAGE CODE 00PW4	DWG. NO. FG-901524-2D	REV B
SCALE: 1:12		CAD FILE: FG-901524-2D.B.1	SHEET: 1 OF 1