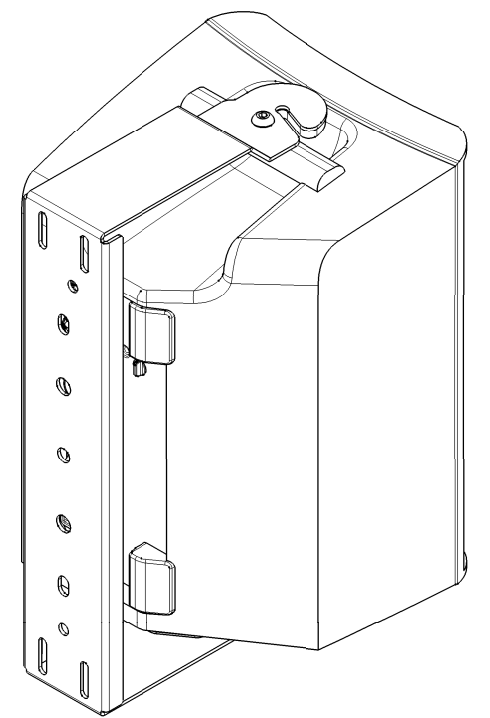
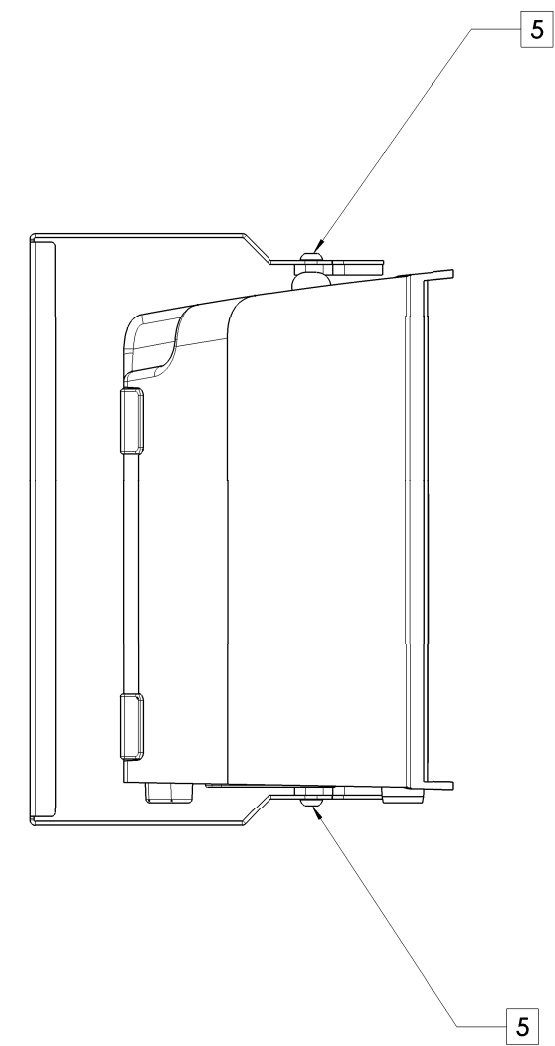
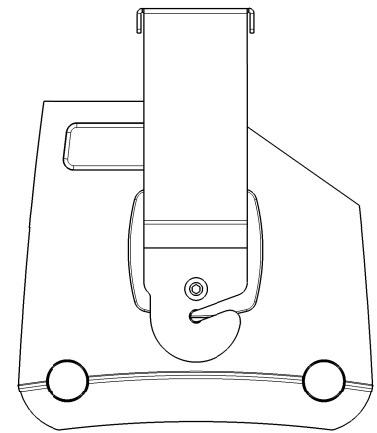
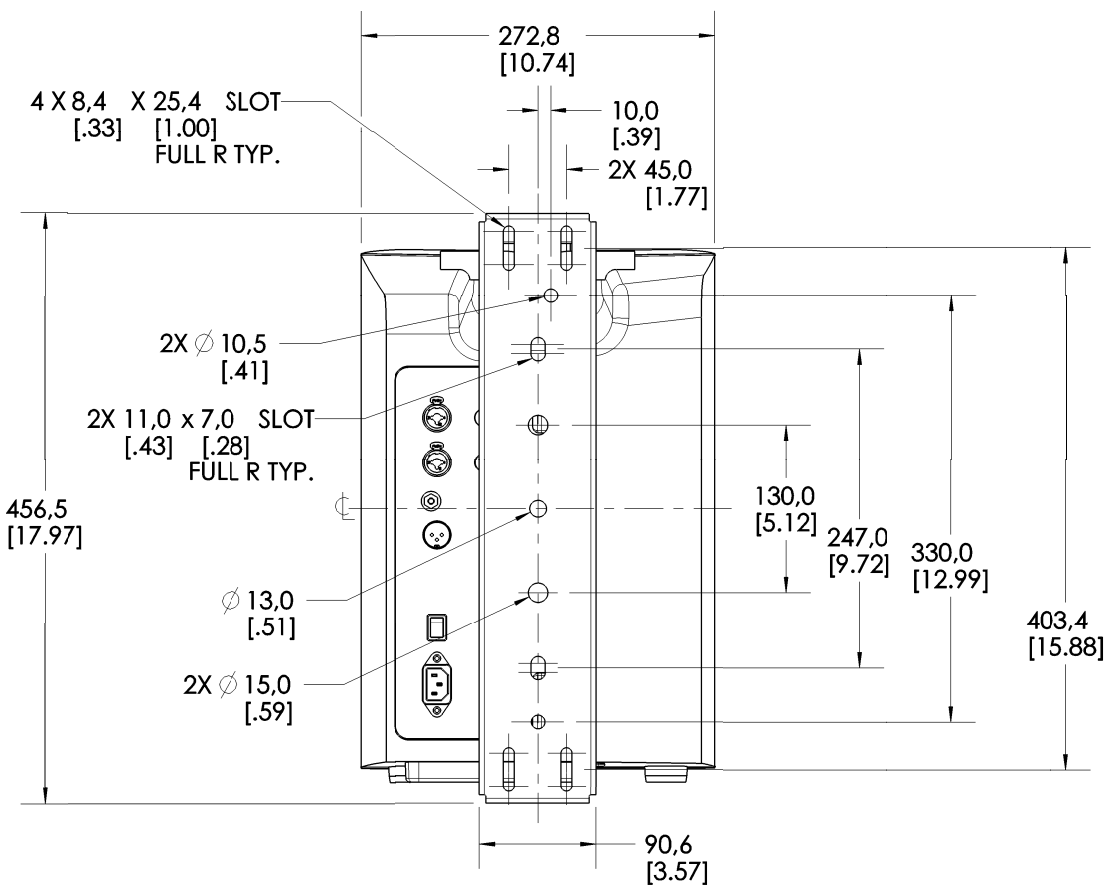
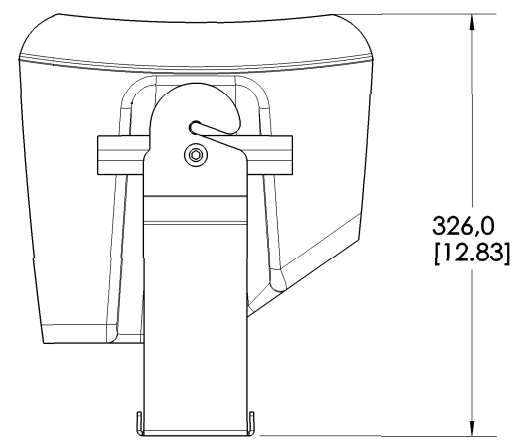


THIS DOCUMENT CONTAINS PROPRIETARY INFORMATION WHICH IS THE PROPERTY OF QSC, LLC, THAT MAY NOT BE DISCLOSED, REPRODUCED OR USED WITHOUT THE EXPRESS WRITTEN CONSENT FROM QSC, LLC.

REVISION		BY	DATE
REV	DESCRIPTION	SS	27-SEPT-18
A	INITIAL RELEASE		



- 6. PARTS ARE SYMMETRICAL ABOUT CENTER LINES UNLESS OTHERWISE NOTED.
- 5. YOKE MOUNT ATTACHMENT POINT, M8 THREAD, 2 PLACES.
- 4. THE SPEAKER IS SHOWN FOR CLARITY, SPEAKER AND MOUNTING YOKE ARE SOLD SEPARATLY.
- 3. DIMENSIONS ARE IN MILLIMETERS [INCH].
- 2. TOLERANCES (MM): X ± 3, ANGLES: ± 1°.
- 1. NET WEIGHT APPROXIMATLY; 5.0 LBS [2.3 KG] (YOKE), 26.0 LBS [11.8 KG] (SPEAKER AND YOKE)

NOTES: UNLESS OTHERWISE SPECIFIED

UNLESS OTHERWISE SPECIFIED DIMENSIONS ARE IN MM [IN] TOLERANCES ARE: DECIMALS ANGLES .X ± 3 [.12] ± 1°		CAD GENERATED DRAWING DO NOT MANUALLY UPDATE		QSC, LLC 1675 MACARTHUR BOULEVARD COSTA MESA, CA 92626 USA	
MATERIAL N/A		APPROVALS		DRAWN BY S. STASIAK MECH ENGINEER T. AMUNSDON	
FINISH N/A		DO NOT SCALE DRAWING		TECH DIRECTOR R. VAUCHER MFG ENGINEER C. YOMOYIDA	
PROJECTION SYMBOL		SCALE: 1:1		DWG. NO. REV 00PW4 FG-901265-2D A SHEET: 1 OF 1	