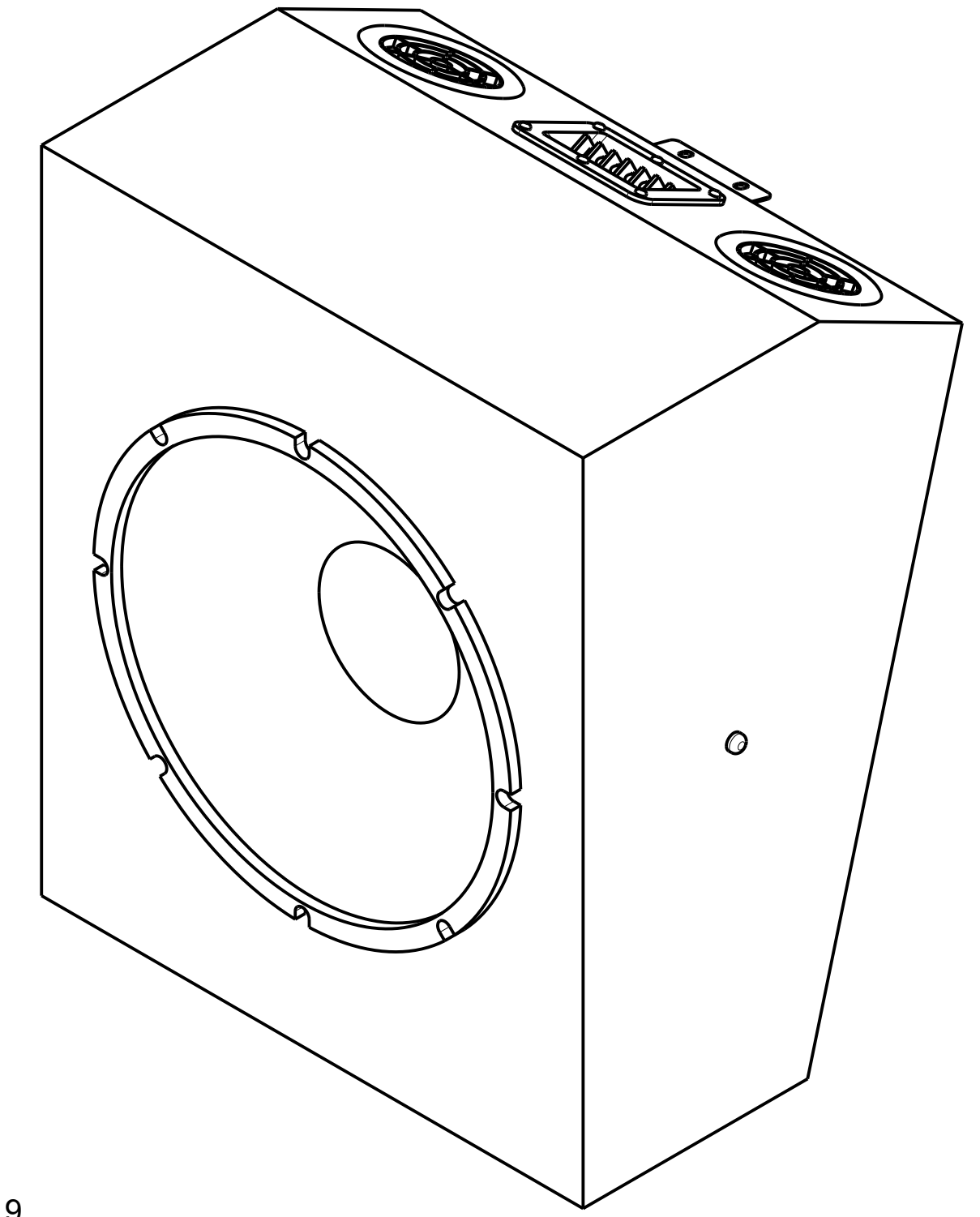
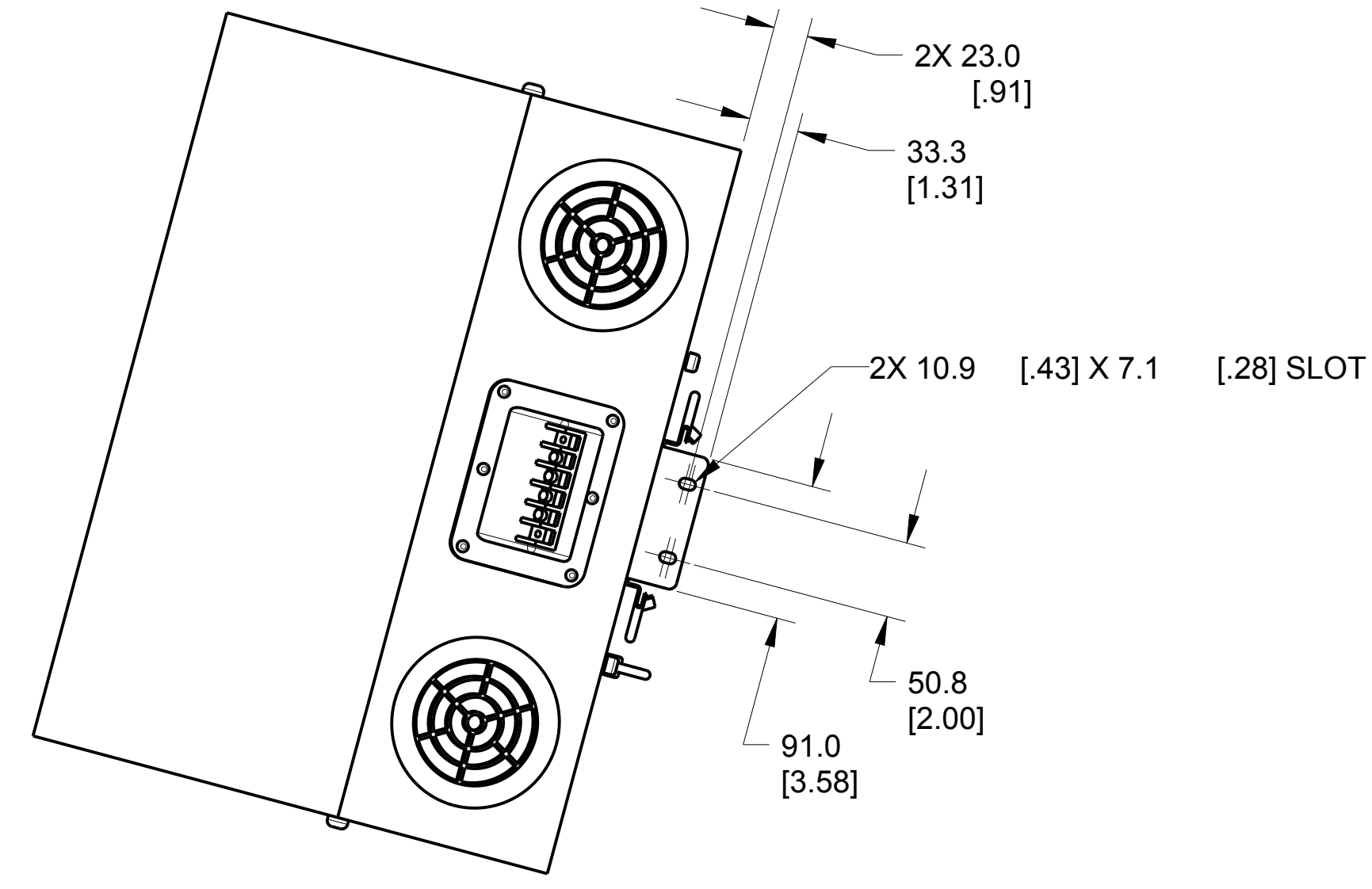
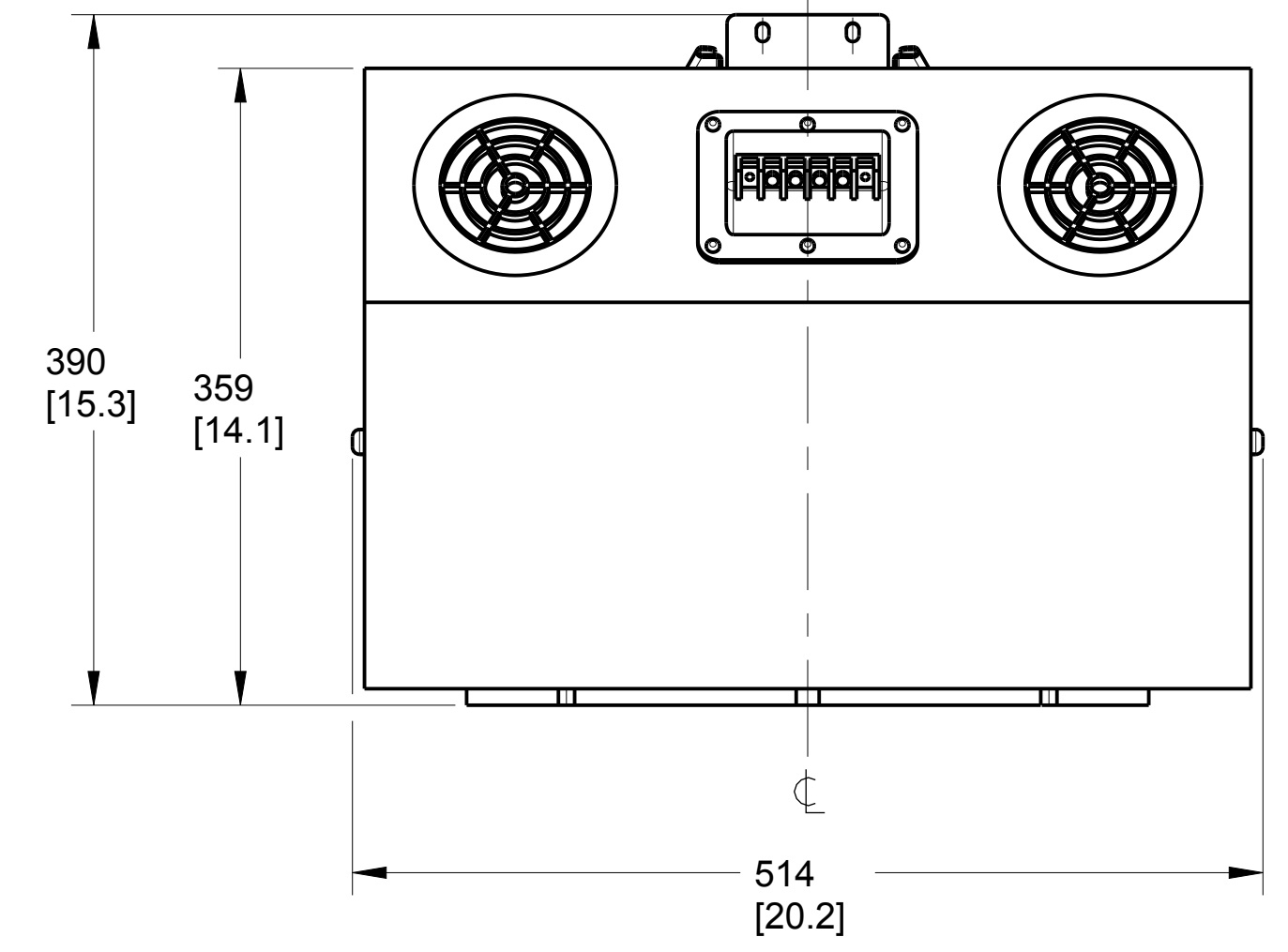
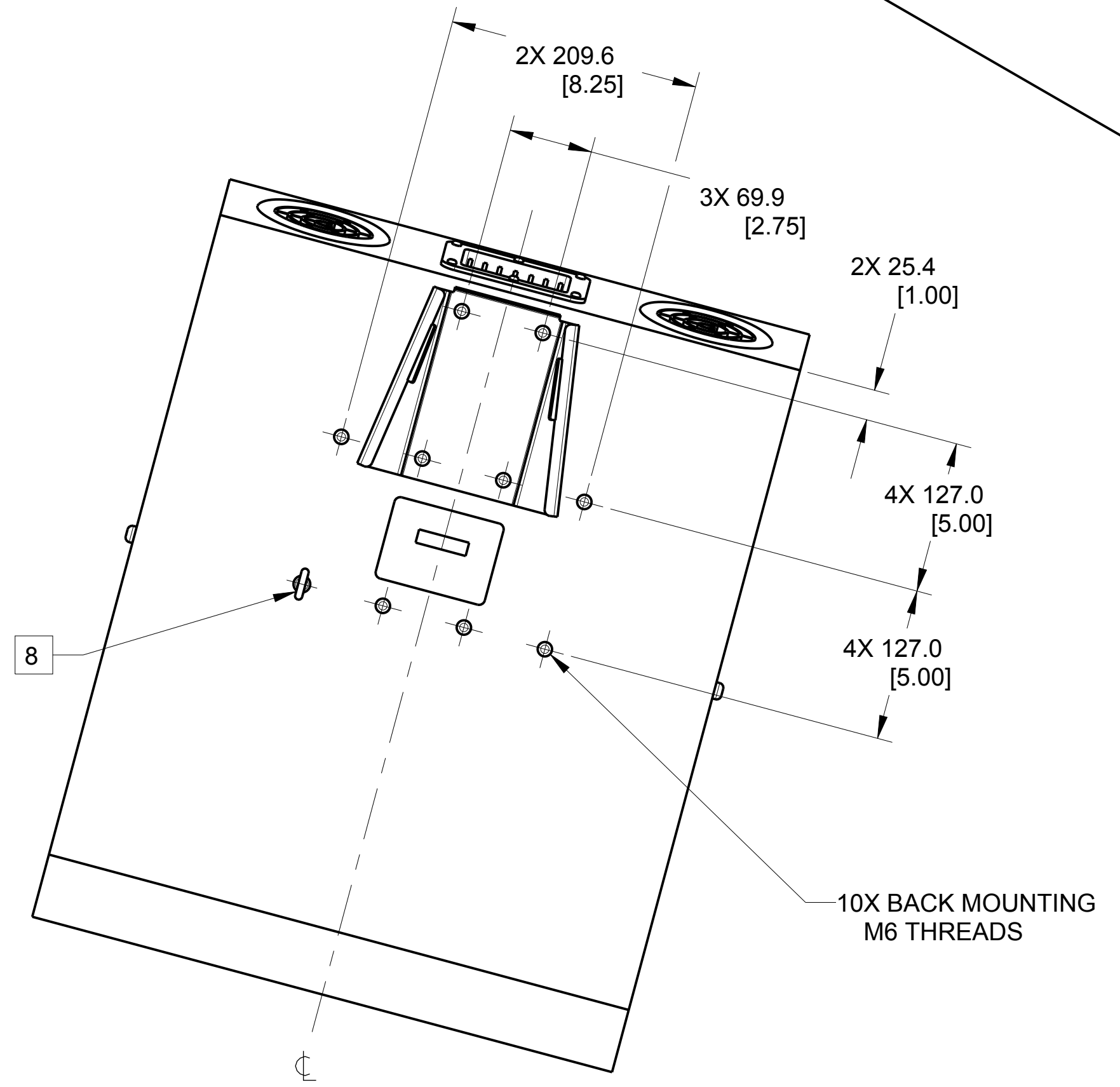
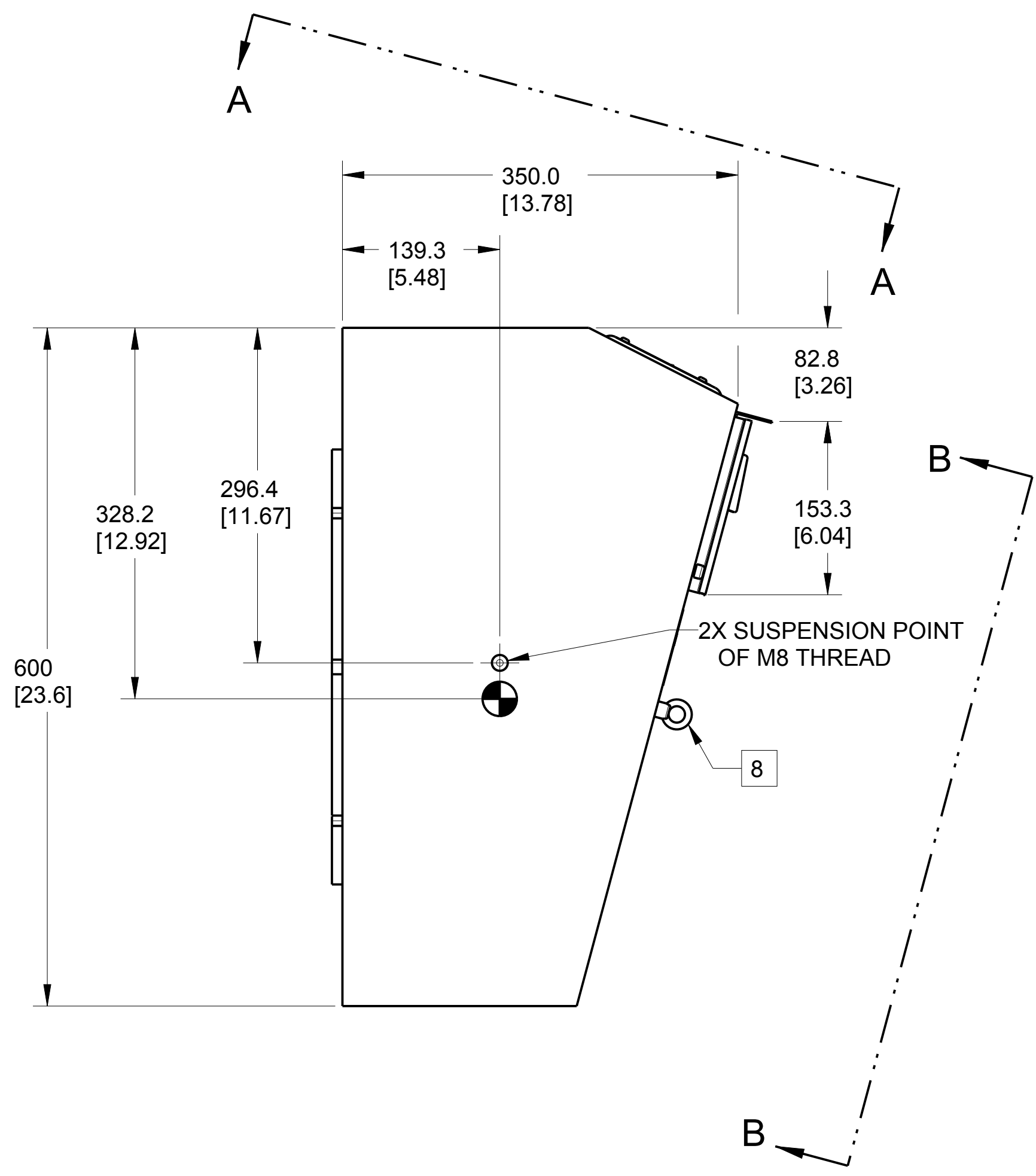
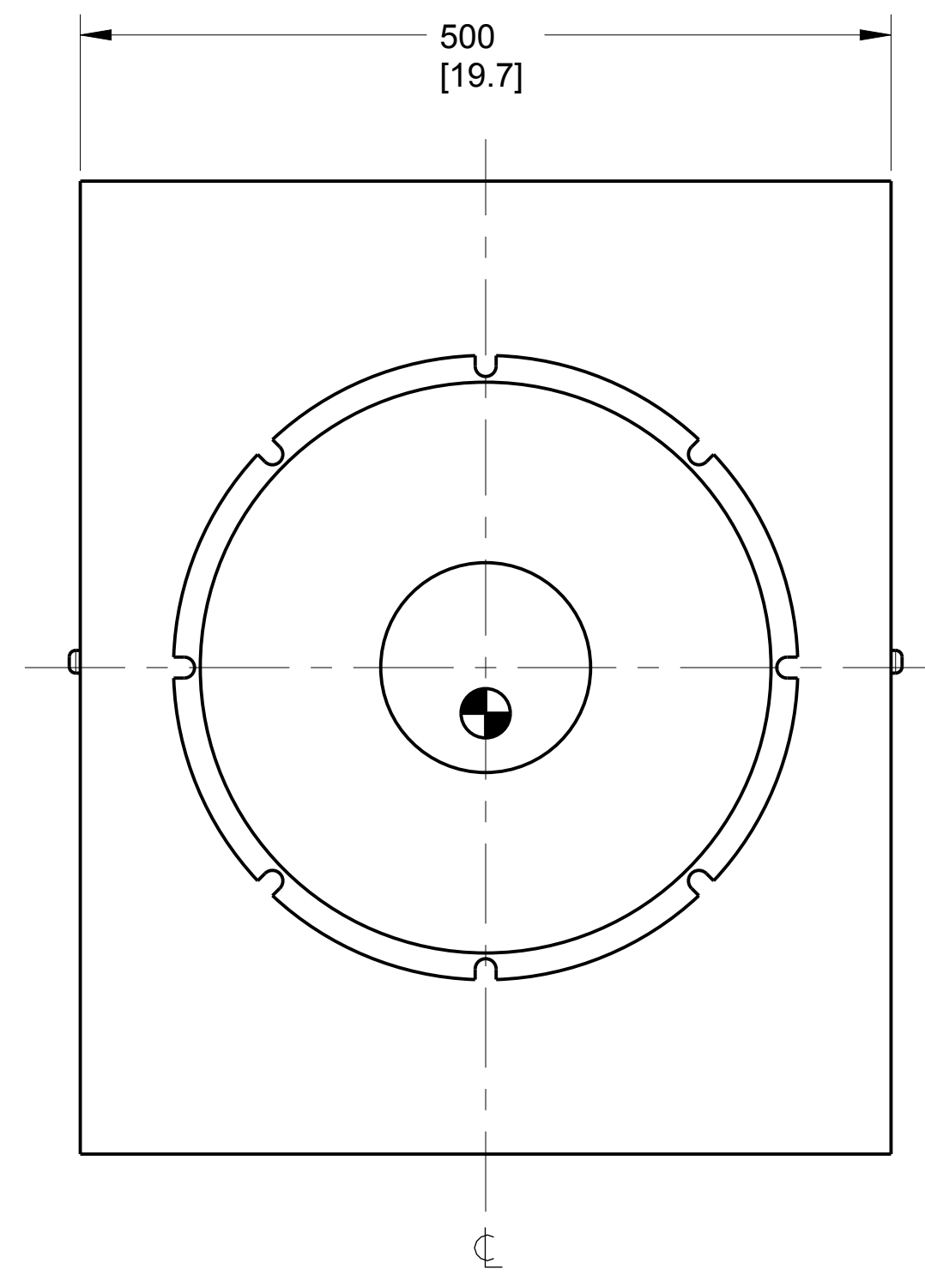


THIS DOCUMENT CONTAINS PROPRIETARY INFORMATION WHICH IS THE PROPERTY OF QSC, LLC. THAT MAY NOT BE DISCLOSED, REPRODUCED OR USED WITHOUT EXPRESS WRITTEN CONSENT FROM QSC, LLC.

REVISIONS			
REV	DESCRIPTION	BY	DATE
A	RELEASE FOR MARKETING DATA	JK	18-MAR-16
B	REVISED PER ECO-101313	ES	12-SEP-16



VIEW A-A



VIEW B-B

- 8 SUSPENSION EYEBOLT CAN BE USED IN BACK MOUNTING M6 THREADS.
- 7. SYMBOL INDICATES CENTER OF BALANCE.
- 6. SYMBOL INDICATES SUSPENSION POINT OF M8 THREAD, 2 PLACES.
- 5. PARTS ARE SYMMETRICAL ABOUT CENTER LINES UNLESS OTHERWISE NOTED.
- 4. GRILLE NOT SHOWN FOR CLARITY.
- 3. DIMENSIONS ARE IN MILLIMETERS [INCH].
- 2. TOLERANCES (MM): X ± 3, ANGLES: ± 1°.
- 1. NET WEIGHT APPROX. 48 LBS (21.7 KG).

NOTE: UNLESS OTHERWISE SPECIFIED

UNLESS OTHERWISE SPECIFIED DIMENSIONS IN MILLIMETERS [IN] TOLERANCES ARE: DECIMALS DECIMALS ANGLES X± .5[.02] XX± .25[.01] ± 1/2 DEBURR EDGES .25 [010] R MAX	DESIGNER	ENG. SERVICES	QSC, LLC 1675 MACARTHUR BOULEVARD COSTA MESA, CA 92626  SPEAKER, SR-1590, FINISHED	SIZE	CAGE CODE	DRAWING NO.	REV	
	ENGINEER	J. KRAUSS		D	00PW4	FG-001590-2D	B	
	TECHNICAL DIRECTOR	N/A		SCALE	0.250	DO NOT SCALE DRAWING	SHEET	1 OF 1
	MANUFACTURING ENGINEER	N/A		DRAWING INFO:	FG-001590-2D.B.2	MODEL INFO:	FG-001590-3D.B.0	