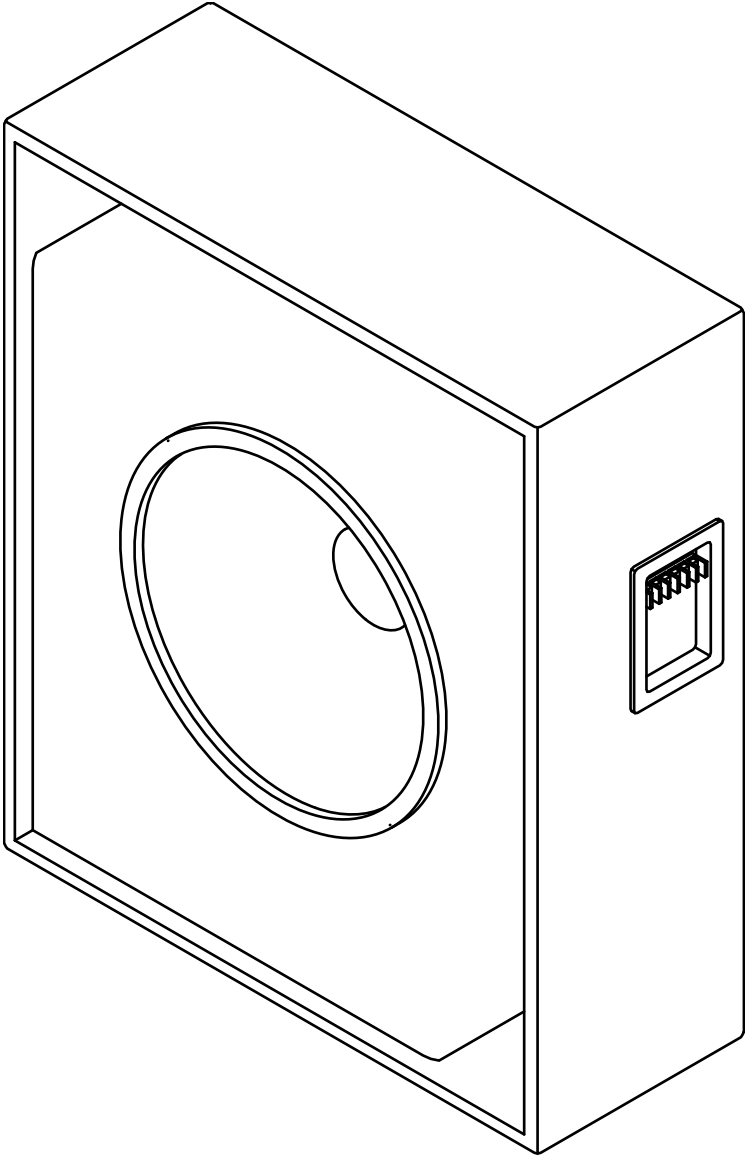


SB-1180

User Manual



SB-1180 Compact Subwoofer



TD-000440-01-C



EXPLANATION OF SYMBOLS

The term **“WARNING”** precedes instructions that concern personal safety. Failure to follow them may result in bodily injury or death.

The term **“CAUTION”** precedes instructions that concern possible damage to physical equipment. Failure to follow them may result in equipment damage to equipment that may not be covered under the warranty.

The term **“IMPORTANT”** precedes instructions or information that are vital to the successful completion of the procedure.

The term **“NOTE”** precedes additional useful information.



The lightning flash with arrowhead symbol in a triangle alerts the user to the presence of uninsulated dangerous voltage within the product's enclosure that may constitute a risk of electric shock to humans.



The exclamation point within a triangle alerts the user to important safety, operating, and maintenance instructions in this manual.



IMPORTANT SAFETY INSTRUCTIONS



WARNING!: The SB-1180 loudspeaker is not designed to be hung or suspended. Mount or deploy this loudspeaker system only on a floor or platform.

- Read these instructions and keep a copy for future reference.
- Strictly follow and heed all instructions and warnings.
- Do not use or submerge this loudspeaker product in or near water or liquids.
- Clean only with a dry cloth. Do not use any aerosol spray, cleaner, disinfectant or fumigant on, near, or into the loudspeaker.
- Do not block any openings in the enclosure. Install in accordance with the manufacturer's instructions.
- Do not install the loudspeaker near any heat sources, such as radiators, heat registers, stoves, or other apparatus (including amplifiers).
- Use extra caution with any attachments, accessories, mounts, or brackets that are not specified or approved by QSC, LLC.
- Refer all service to qualified personnel. Service is required if the loudspeaker has been damaged in any way, such as liquid being spilled into it, objects falling into it, exposure to rain or moisture, abnormal operation, or being dropped.
- Observe all applicable local codes.

Warranty

For a copy of the warranty, visit the QSC website at www.qsc.com

Introduction

The SB-1180 extends QSC's commitment to the cinema market by offering high-quality QSC sound for small room systems. Part of the DCS Digital Cinema Speaker Series, the SB-1180 subwoofer offers a unique solution that addresses the extended low frequency requirements of E-Cinema or D-Cinema in small room applications.

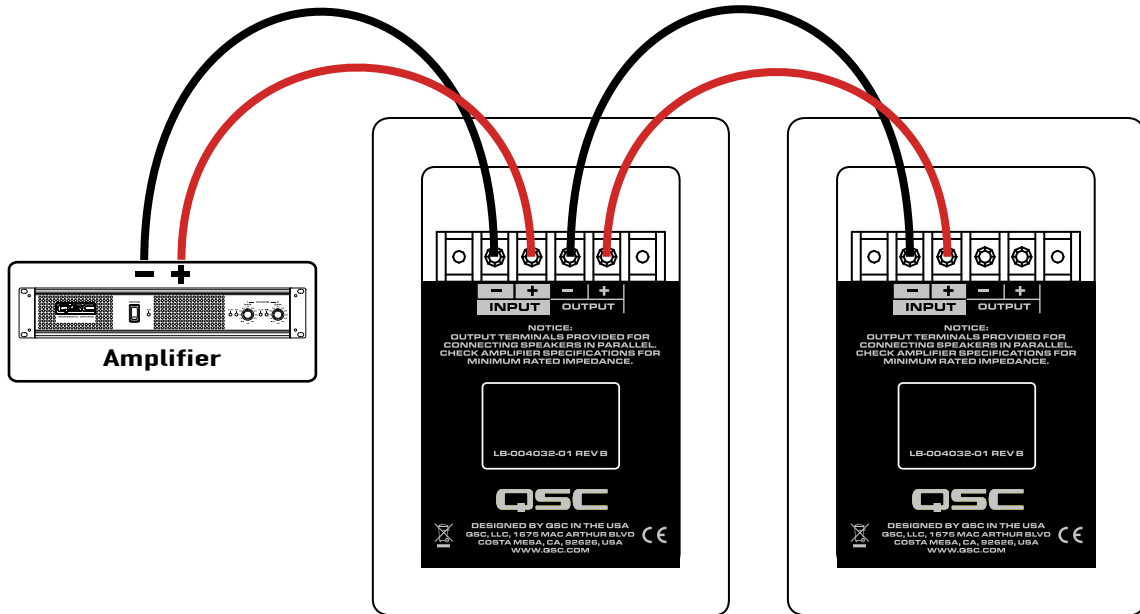
The SB-1180 features a single 18-inch (457 mm) woofer with 4-inch (102 mm) voice coil for extended bandwidth low frequency reproduction. With an enclosure depth of less than 12 inches (300 mm), the SB-1180 is one of the narrowest subwoofers available, which dramatically reduces space requirements behind the screen.

SB-1180 Package Contents

- 1 SB-1180 Loudspeaker
- 1 User Guide TD-000440

Loudspeaker Connections

The SB-1180 is equipped with a four-position barrier strip with screw terminals that accept spade lugs or bare wire as large as 10 AWG. Inputs are labeled - and +. Be sure to maintain consistent polarity from the amplifier to the loudspeaker's input terminals. The parallel-wired output terminals allow daisy-chain connection of additional loudspeakers; be sure to check the power amplifier's specifications to avoid loads below the amplifier's minimum rated impedance.



– Figure 1 –

Specifications

System Details	SB-1180
Frequency Range ¹ (-10 dB)	29 Hz to 170 Hz
Rated Noise Power (Voltage) ²	600 watts
Sensitivity ³	98 dB
Maximum continuous SPL ⁴	125 dB
Maximum peak SPL ⁴	131 dB
Rated Impedance	8 Ω
Maximum Recommended Amplifier Power	1200 watts
Transducer	18 in (457 mm) woofer
Enclosure Details	
Input Connector	4-position barrier strip
Enclosure Material	MDF, non-reflective black vinyl
Grille	None
Dimensions (HxWxD)	35.9 × 30.2 × 11.7 inches (912 × 767 × 297 mm)
Net Weight	87 lb (39.5 kg)

As part of QSC's ongoing commitment to product development, specifications are subject to change without notice.

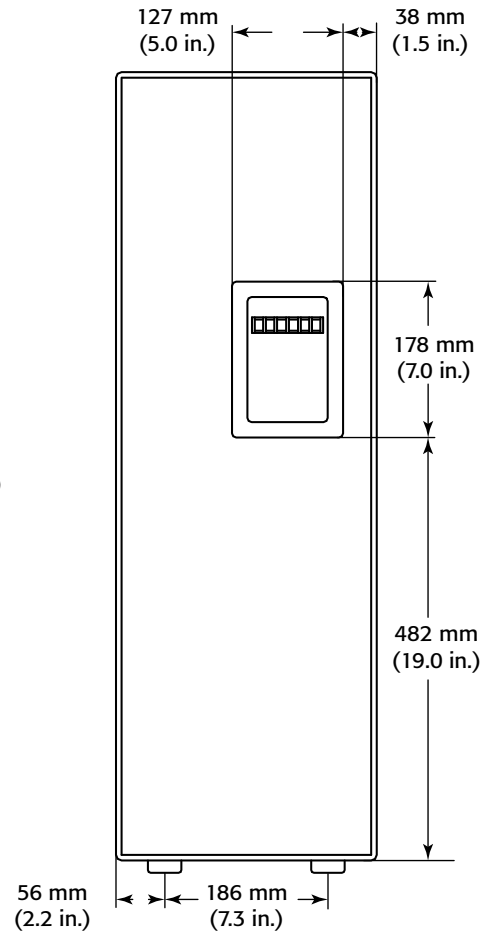
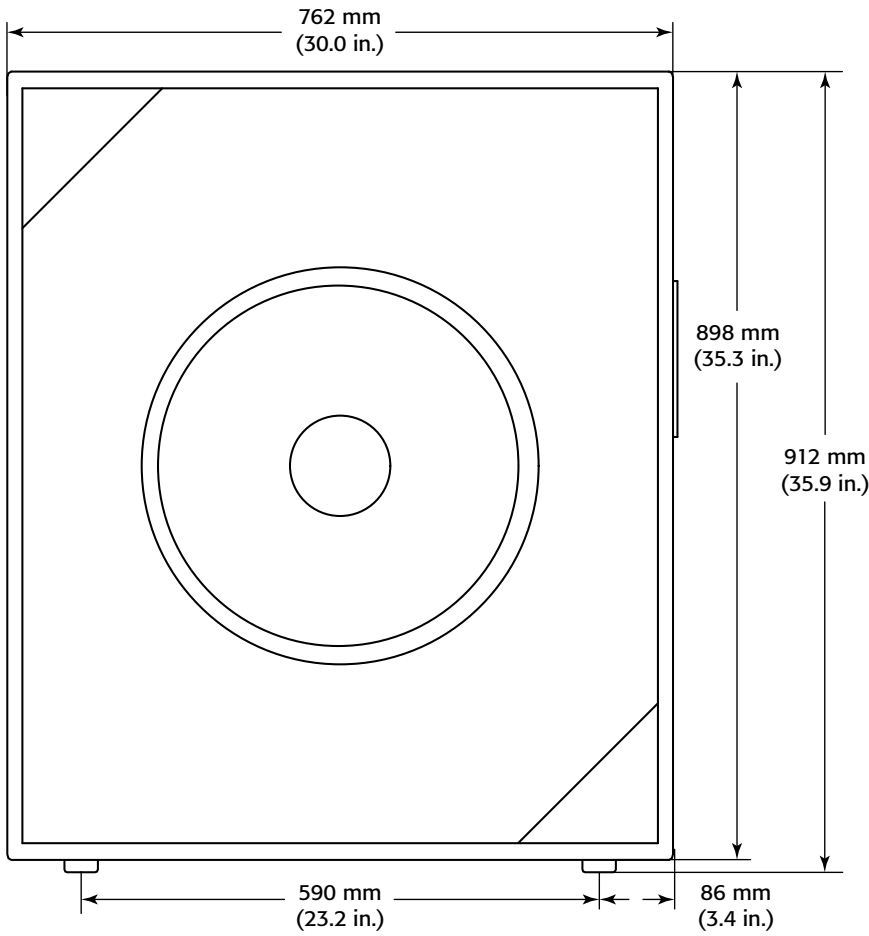
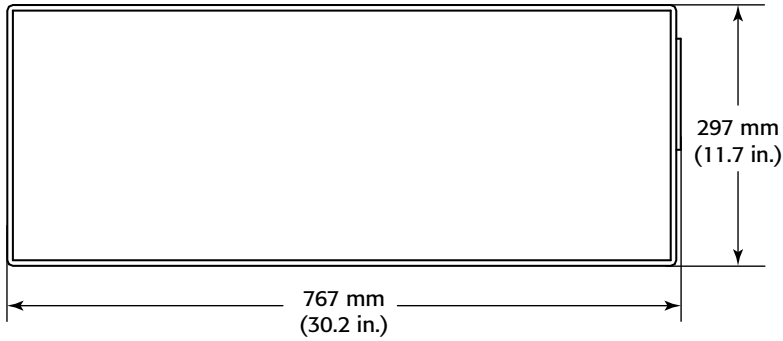
¹ Free-field, unprocessed, -10 dB from on-axis sensitivity

² AES2-1984 noise signal for 2 hours

³ On-axis, free-field sensitivity, 2.83 V, 1 m

⁴ Calculated from rated noise voltage and sensitivity

SB-1180 Dimensions





Mailing Address:

QSC, LLC

1675 MacArthur Boulevard

Costa Mesa, CA 92626-1468 USA

Telephone Numbers:

Main Number: +1 (714) 754-6175

Sales & Marketing: +1 (714) 957-7100 or toll free (USA only) (800) 854-4079

Customer Service: +1 (714) 957-7150 or toll free (USA only) (800) 772-2834

Facsimile Numbers:

Sales & Marketing FAX: +1 (714) 754-6174

Customer Service FAX: +1 (714) 754-6173

World Wide Web:

www.qsc.com

E-mail:

info@qsc.com

service@qsc.com

