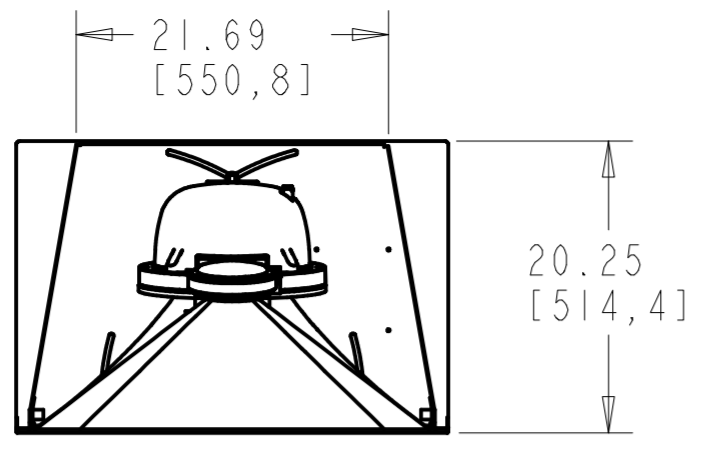
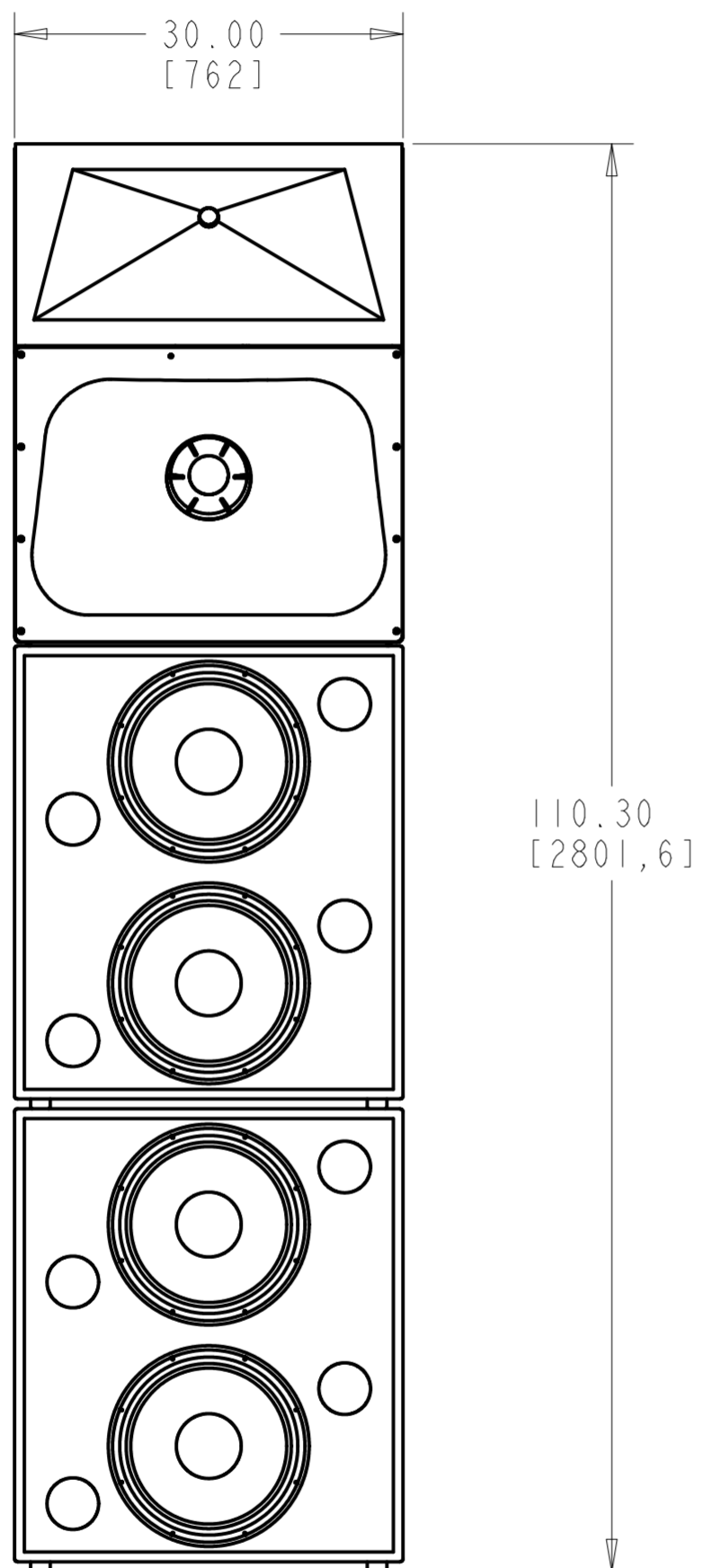


THIS DOCUMENT CONTAINS PROPRIETARY INFORMATION AND IS THE PROPERTY OF QSC AUDIO PRODUCTS. IT MAY NOT BE DISCLOSED, REPRODUCED OR USED WITHOUT EXPRESS WRITTEN CONSENT FROM QSC AUDIO PRODUCTS.

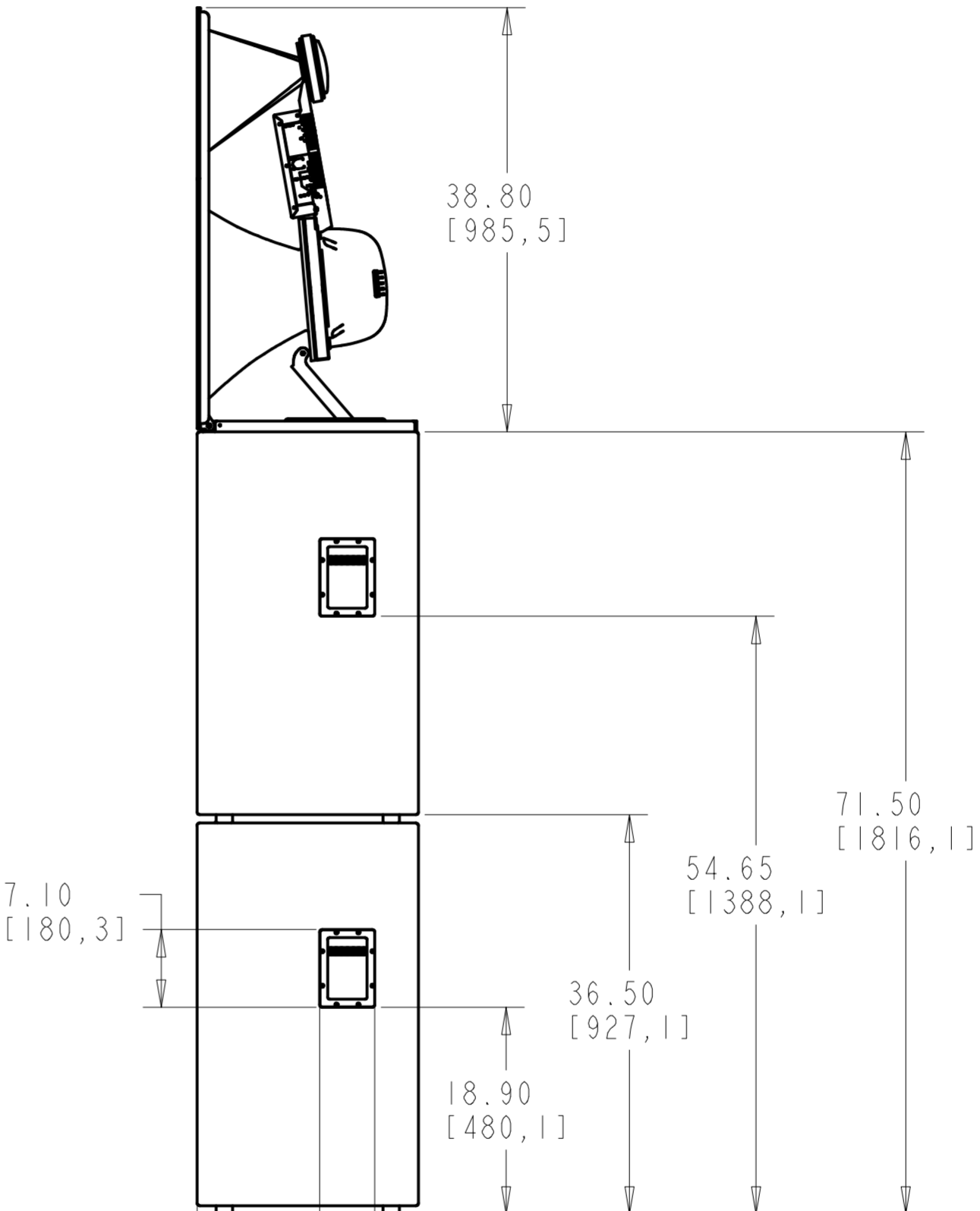
REVISIONS				
REV	DESCRIPTION	EFF DATE	CHK	APPROVED DATE
A	RELEASE PER ECO 7444 JD	09-22-06		B.H.



TOP



FRONT



RIGHT

2. TOLERANCES (INCHES): .XX ± .13, ANGLES: ± 1°.
 1. NET WEIGHT APPROX. 429 LBS (195 KG).
 NOTE: UNLESS OTHERWISE SPECIFIED

UNLESS OTHERWISE SPECIFIED DIMENSIONS ARE IN INCHES. TOLERANCES ARE: DECIMALS DECIMALS ANGLES .XX ± .02 .XXX ± .010 ±1/2 DEBURR EDGES .010 R MAX	CONTRACT NO.		QSC QSC AUDIO PRODUCTS, INC. 1675 MACARTHUR BOULEVARD COSTA MESA, CA 92626	
	APPROVALS			
	DRAWN	J. DELARM	19-Sep-06	
	CHECKED	B. HAWKINS	19-Sep-06	
MATERIAL	NONE	ISSUED	A. RUTKIN	19-Sep-06
FINISH	NONE	ISSUED	D. DELARM	19-Sep-06
DO NOT SCALE DRAWING	DCS_4X15_3-WAY.		SIZE	CAGE CODE
			C	00PW4
			DWG NO.	RD-000403-01
			SCALE	0.075
			SHEET	1 of 1

DWG NO. RD-000403-01
 SH 1
 REV