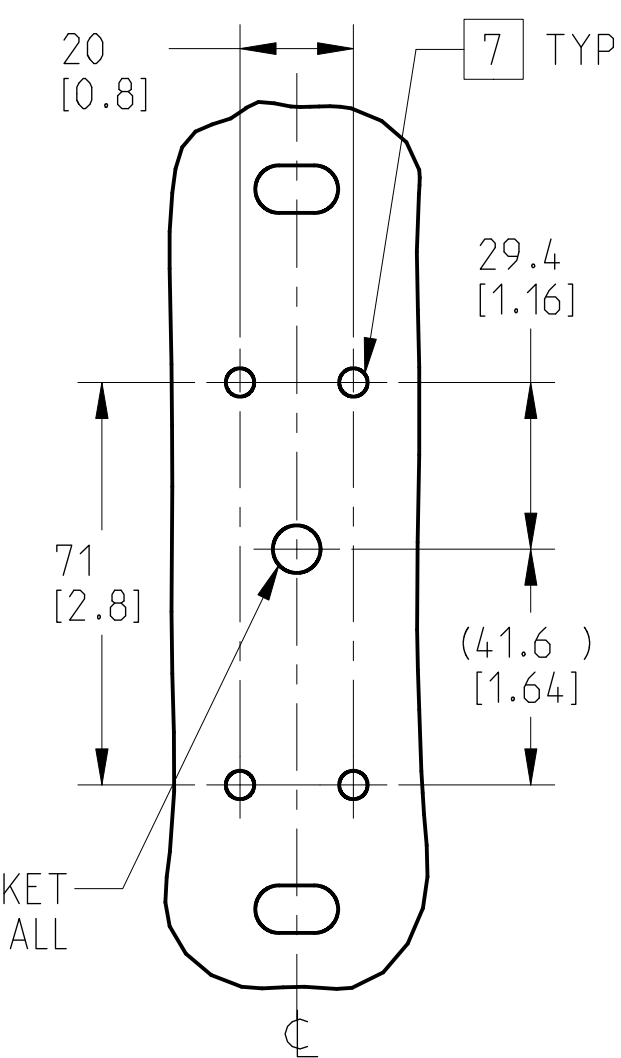
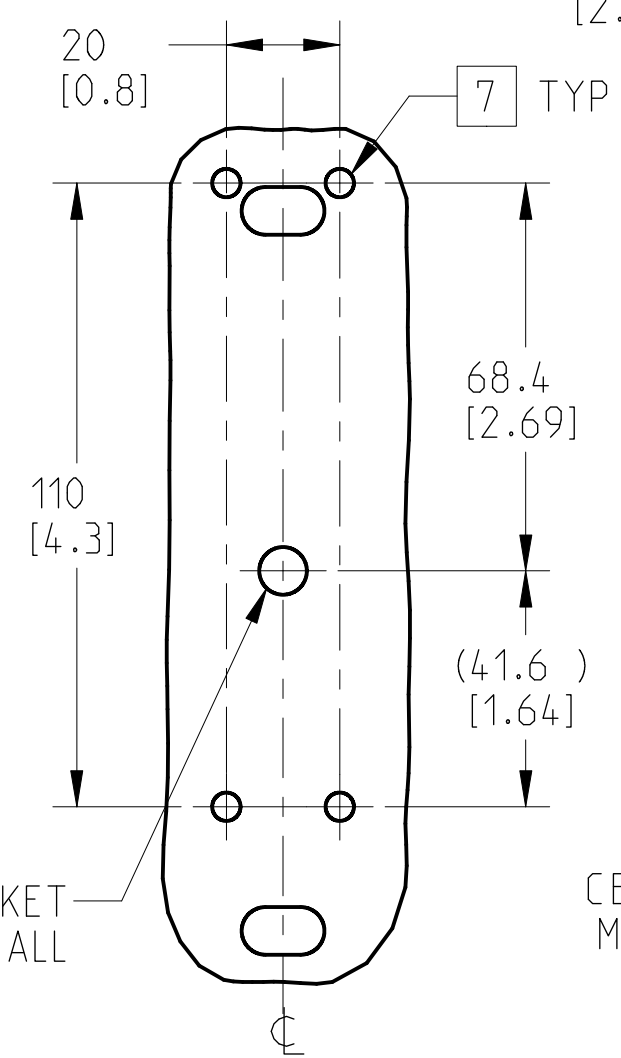
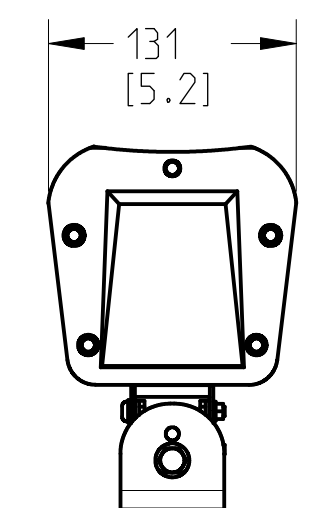
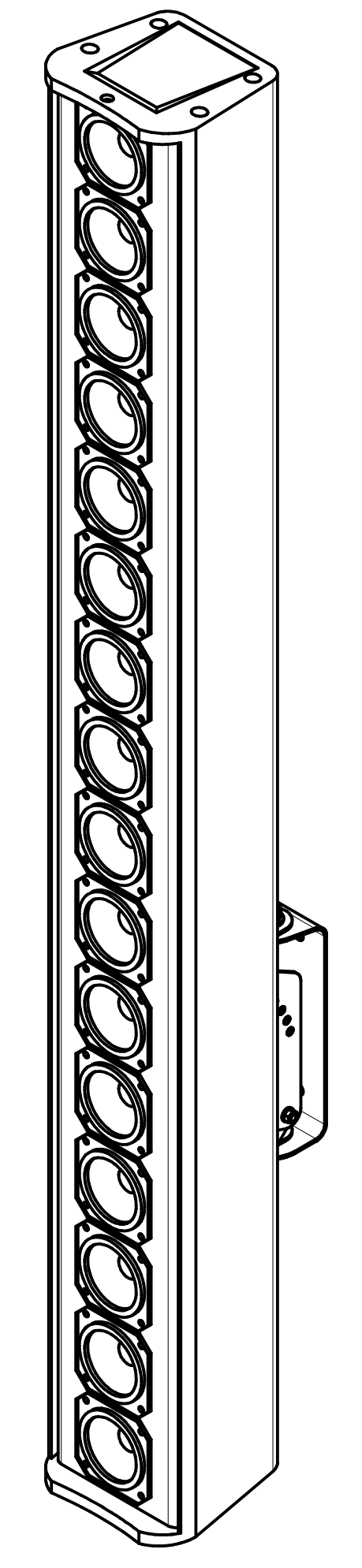
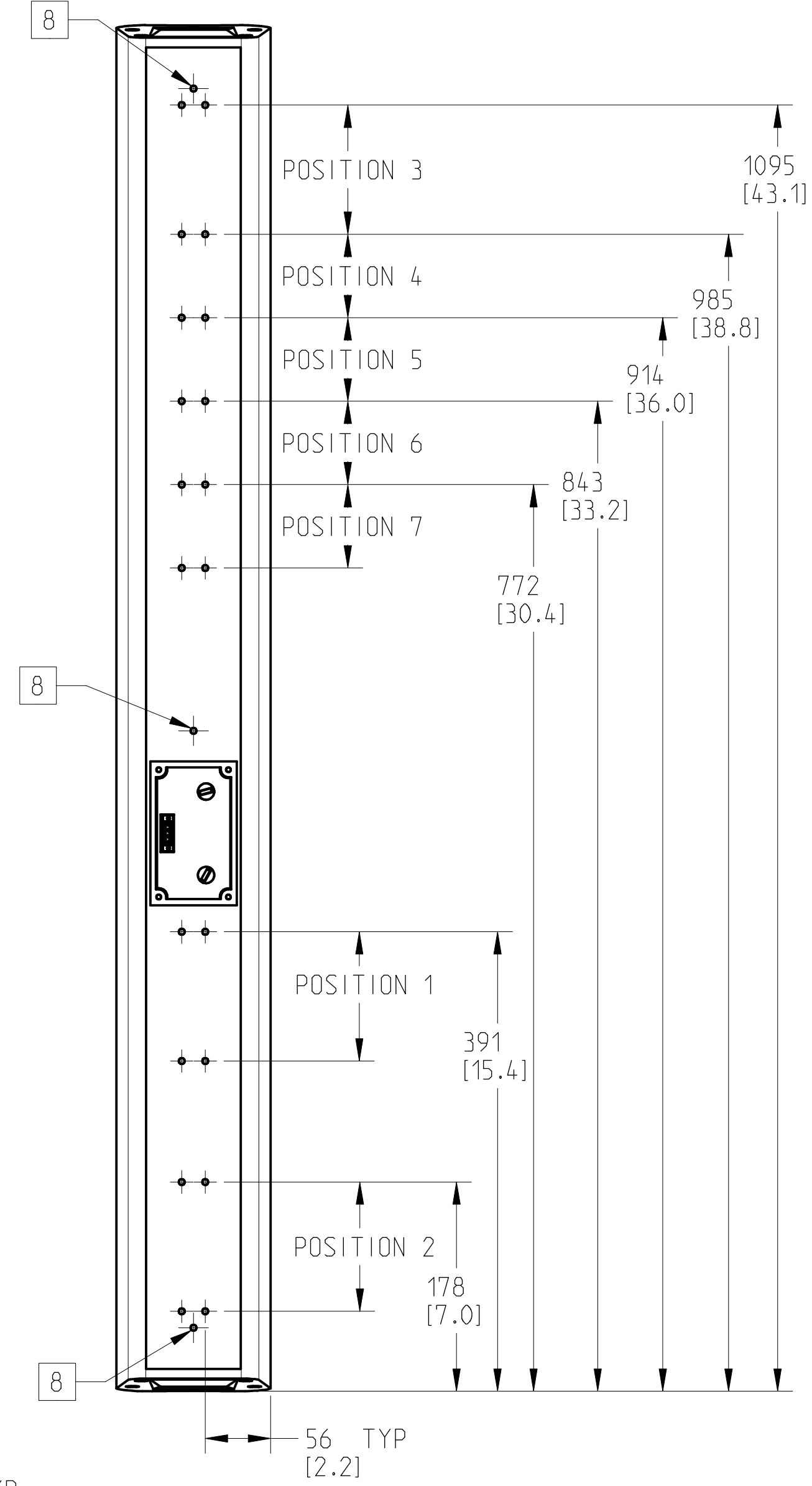
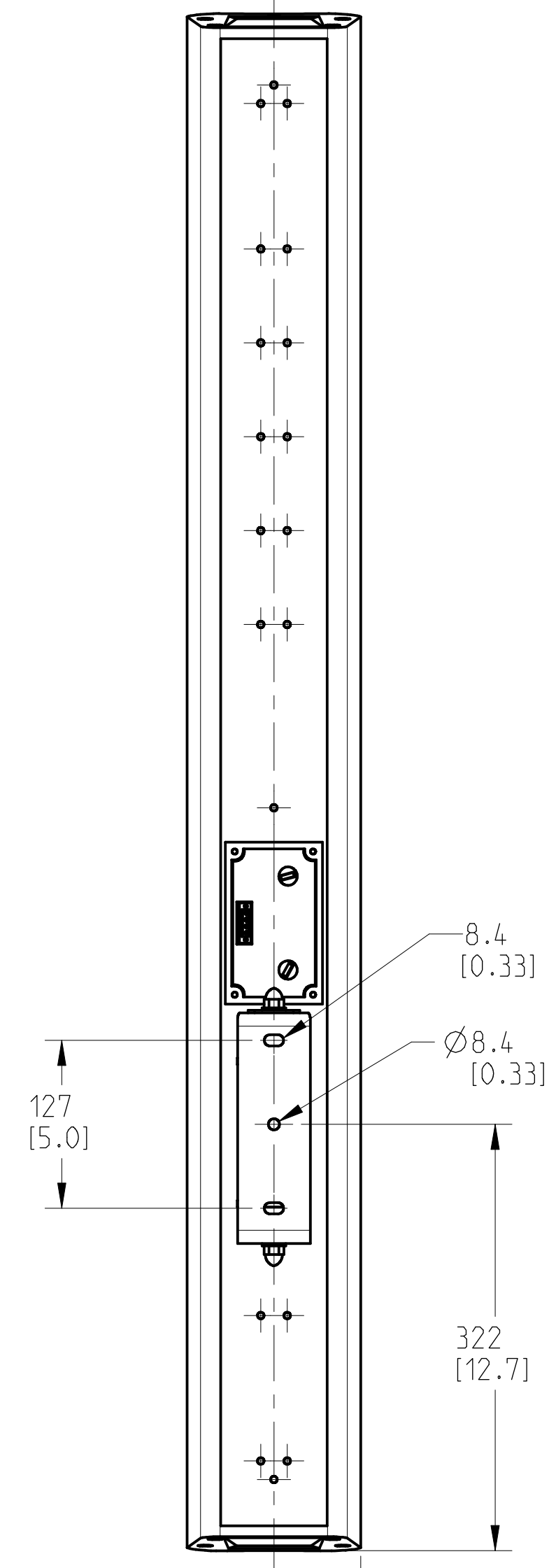
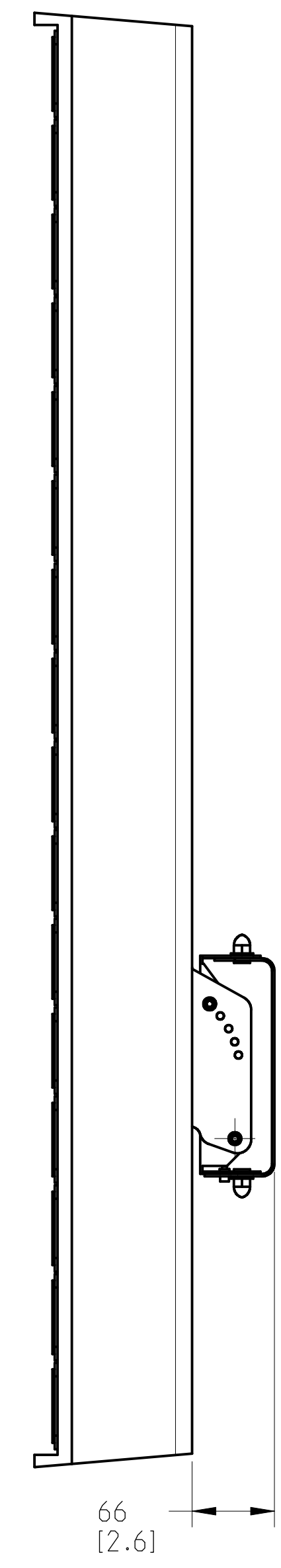
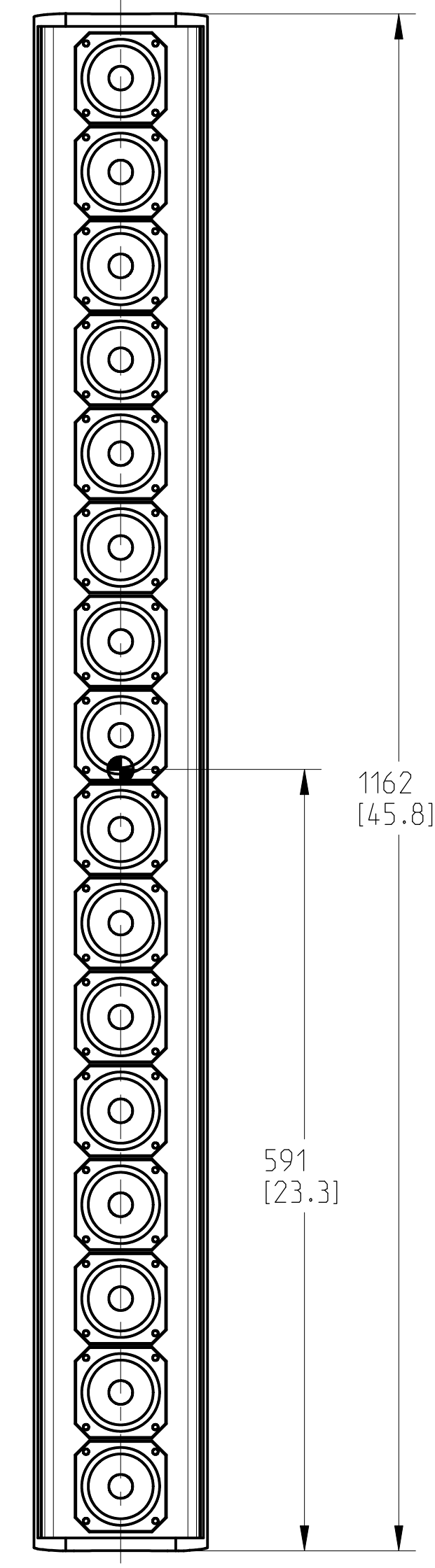
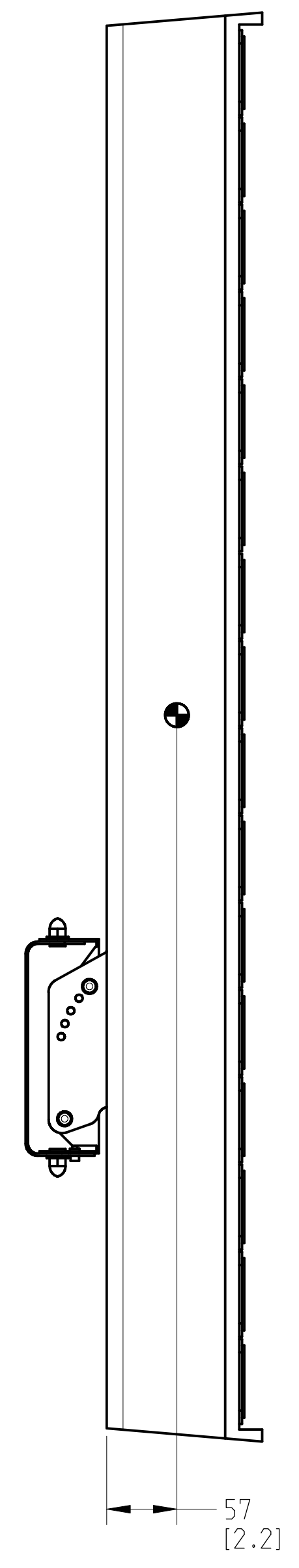
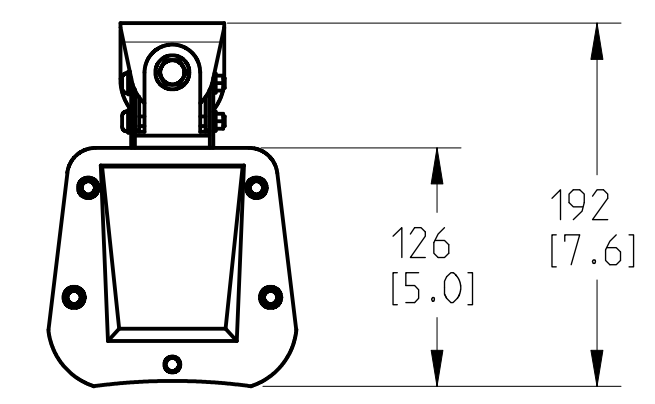


THIS DOCUMENT CONTAINS PROPRIETARY INFORMATION WHICH IS THE PROPERTY OF QSC, LLC. THAT MAY NOT BE DISCLOSED, REPRODUCED OR USED WITHOUT EXPRESS WRITTEN CONSENT FROM QSC, LLC.

REVISIONS			
REV	DESCRIPTION	BY	DATE
A	RELEASE FOR SALES AND MARKETING	ES	21-JUL-17



**SPEAKER WITHOUT MOUNTING BRACKET**

- 9. SYMBOL INDICATES CENTER OF BALANCE.
- 8 SAFETY HARNESS EYEBOLT MAY BE ASSEMBLED IN 3 DIFFERENT LOCATIONS. EYEBOLT IS SIZE M6 X 1 THREAD.
- 7 MOUNTING BRACKET MAY BE PLACED IN 7 DIFFERENT POSITIONS. ASSEMBLE WITH M6 X 1 THREAD SCREWS PROVIDED.
- 6. MOUNTING BRACKET SHOWN IN ZERO TILT, ZERO PAN ORIENTATION.
- 5. PARTS ARE SYMMETRICAL ABOUT CENTER UNLESS OTHERWISE NOTED.
- 4. GRILLE NOT SHOWN FOR CLARITY.
- 3. DIMENSIONS ARE IN MILLIMETERS [INCH].
- 2. TOLERANCES (MM): X ± 3, ANGLES: ± 1°.
- 1. NET WEIGHT APPROX. 11.8 KG. [26 LBS].

NOTES: UNLESS OTHERWISE SPECIFIED

UNLESS OTHERWISE SPECIFIED DIMENSIONS IN MILLIMETERS (IN)	DESIGNER	QSC	QSC, LLC 1675 MACARTHUR BOULEVARD COSTA MESA, CA 92626
	ENGINEER		
TOLERANCES ARE: DECIMALS .XX±.01 FRACTIONS .XX±.001 ANGLES ±.1 DECUR EDGES .25 (1.01) R MAX	ENG. SERVICES	LOUDSPEAKER, N008 AD-S162T, FINISHED	
	TECHNICAL DIRECTOR		
MATERIAL	MANUFACTURING ENGINEER	SIZE	CAGE CODE
FINISH		D	00PW4
	DRAWING INFO: FG-901066-2D.A.3	DRAWING NO.	FG-901066-2D
	MODEL INFO: FG-901066-3D.A.3	SCALE:	0.250
		DO NOT SCALE DRAWING	SHEET
			1 OF 1