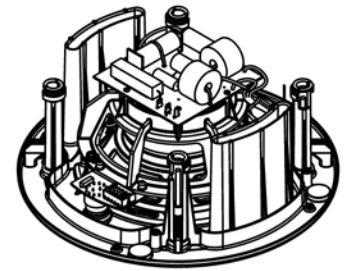
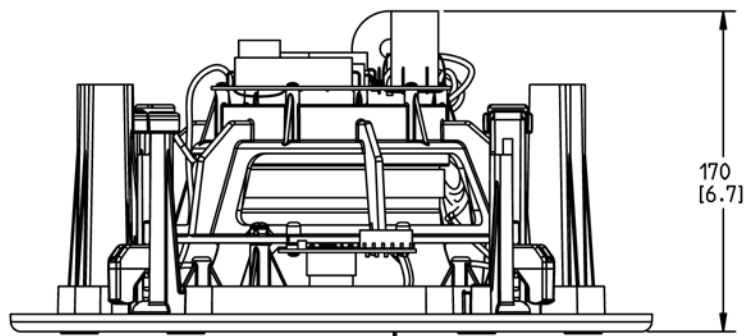


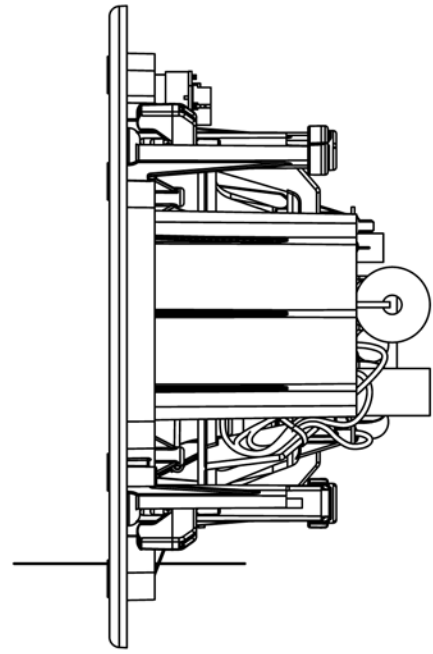
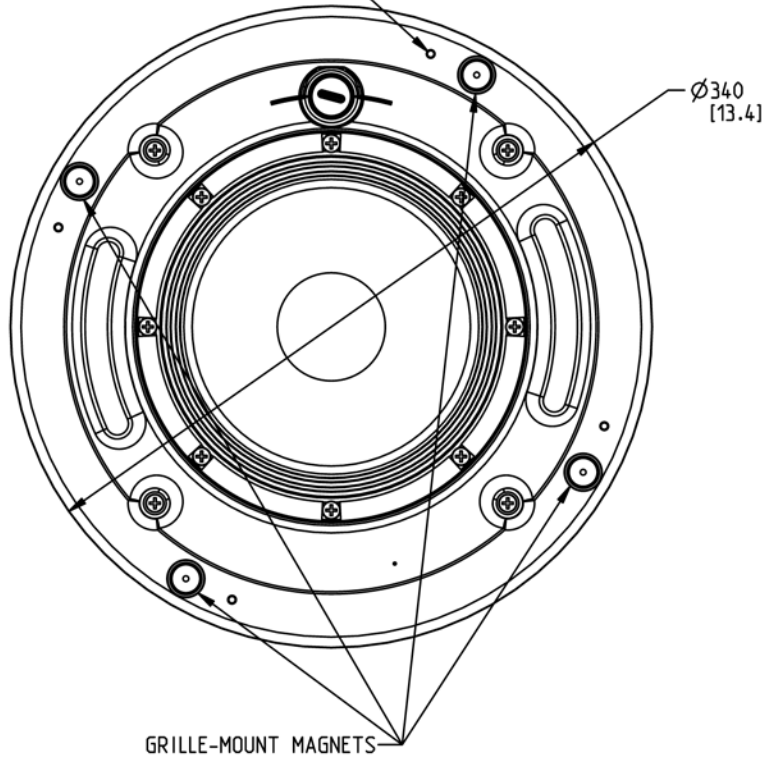
THIS DOCUMENT CONTAINS PROPRIETARY INFORMATION
 WHICH IS THE PROPERTY OF QSC AUDIO PRODUCTS, LLC
 AND IS TO BE RELEASED ONLY TO THE EXTENT PERMITTED BY LAW WITHOUT
 THE WRITTEN CONSENT OF QSC AUDIO PRODUCTS, LLC

| REVISIONS | | | | |
|-----------|-------------|-----------|-----|------|
| REV | DESCRIPTION | EFF DATE | CHK | APVD |
| A | RELEASE | 12-JUL-10 | MH | JO |
| | | | | |
| | | | | |



SCALE 0.250

4X OPTIONAL GRILLE
 MOUNTING HOLE
 M4 ON Ø308MM B.C.



GRILLE-MOUNT MAGNETS

2. TOLERANCES (MM): X.XX ± 1.00, ANGLES: ± 1°.
 1. NET WEIGHT APPROX. 3.6 KG (8.0 LBS).
 NOTE: UNLESS OTHERWISE SPECIFIED

| | | | | |
|---|------------------------|--------------|---|----------------------|
| UNLESS OTHERWISE SPECIFIED DIMENSIONS ARE IN INCHES. TOLERANCES ARE: DECIMALS DECIMALS ANGLES .XX ± .02 .XXX ± .010 ±1/2 DEBURR EDGES .010 R MAX MATERIAL FINISH DO NOT SCALE DRAWING | CONTRACT NO. | | QSC AUDIO PRODUCTS, LLC 1675 MACARTHUR BOULEVARD COSTA MESA, CA 92626 | |
| | APPROVALS | | | |
| | DRAWN D. SIMPSON | | 23-JUN-10 | |
| | CHECKED J. O'CONNOR | | 09-JUL-10 | |
| MFG ENG | | - | | |
| ISSUED | | - | | |
| WP-000888-00.A.2 | | SCALE 0.500 | CAGE CODE 00PW4 | DWG NO. FG-000888-2D |
| FG-000888-2D.A.2 | | SHEET 1 of 1 | | REV A |