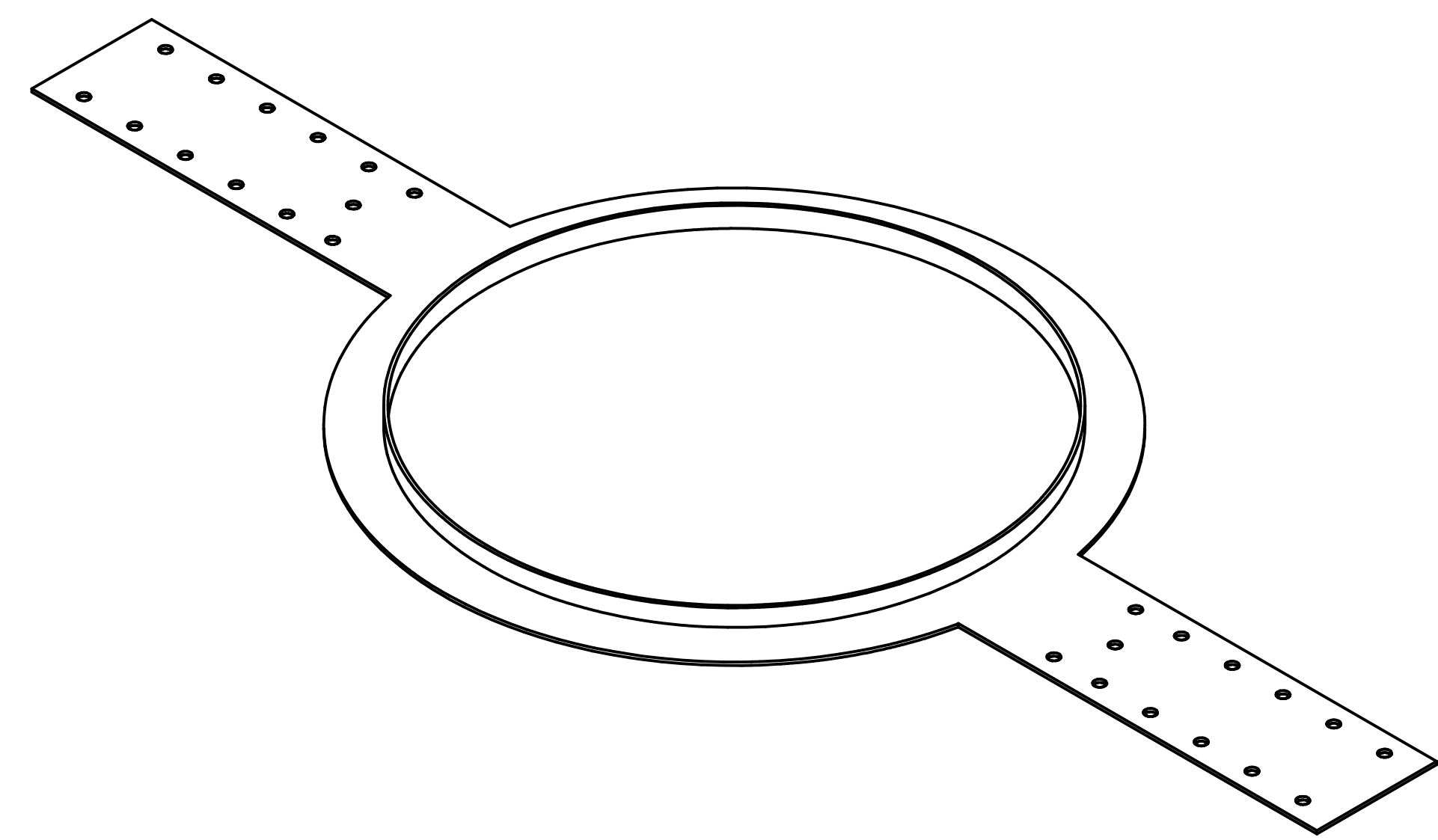
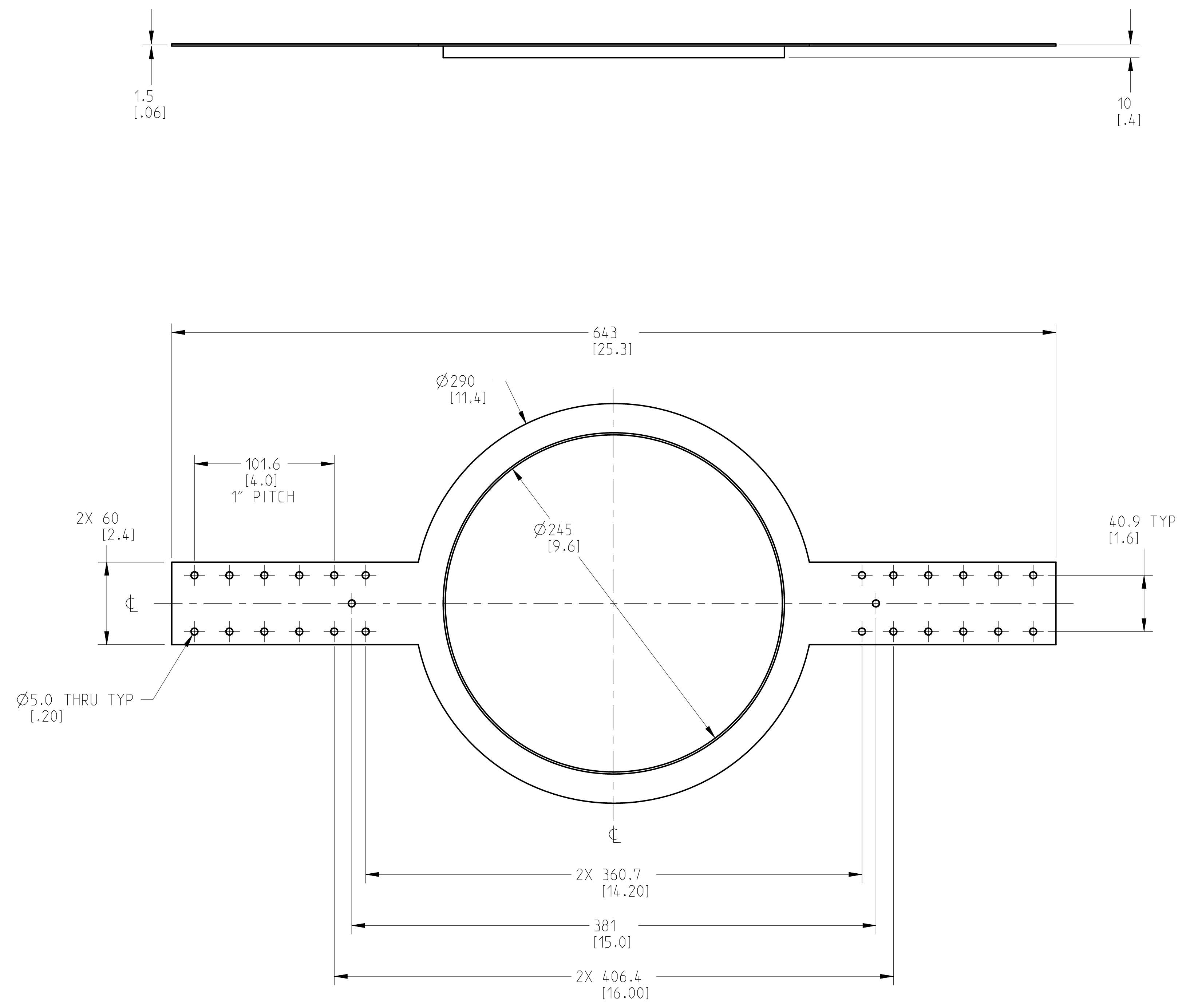


THIS DOCUMENT CONTAINS PROPRIETARY INFORMATION WHICH IS THE PROPERTY OF QSC, LLC. THAT MAY NOT BE DISCLOSED, REPRODUCED OR USED WITHOUT EXPRESS WRITTEN CONSENT FROM QSC, LLC.

| REVISIONS |                                 |    |           |
|-----------|---------------------------------|----|-----------|
| REV       | DESCRIPTION                     | BY | DATE      |
| A         | RELEASE FOR SALES AND MARKETING | ES | 06-JUN-16 |
|           |                                 |    |           |
|           |                                 |    |           |



- 4. DIMENSIONS ARE IN MILLIMETERS [INCH].
- 3. PARTS ARE SYMMETRICAL ABOUT CENTER LINES UNLESS OTHERWISE NOTED.
- 2. TOLERANCES (MM): X ± 3, ANGLES: ± 1°.
- 1. NET WEIGHT APPROXIMATELY 0.5 KG [1.1 LBS].

NOTES: UNLESS OTHERWISE SPECIFIED

|  |                           |  |              |                      |              |        |
|--|---------------------------|--|--------------|----------------------|--------------|--------|
| UNLESS OTHERWISE SPECIFIED DIMENSIONS IN MILLIMETERS (IN)<br>TOLERANCES ARE:<br>DECIMALS .XX±.01 ANGLES ± 1/2<br>DECURR EDGES .25 (1.01) R MAX<br>MATERIAL<br>FINISH | DESIGNER<br>ENG. SERVICES | QSC, LLC<br>1675 MACARTHUR BOULEVARD<br>COSTA MESA, CA 92626<br><br><b>MUD RING, AD-MR6</b><br><b>FINISHED</b> | SIZE         | CAGE CODE            | DRAWING NO.  | REV    |
|  | ENGINEER                  |  | D            | 00PW4                | FG-000296-2D | A      |
|  | TECHNICAL DIRECTOR        |  | SCALE: 0.500 | DO NOT SCALE DRAWING | SHEET        | 1 OF 1 |
|  | MANUFACTURING ENGINEER    |  |              |                      |              |        |
| DRAWING INFO: FG-000296-2D.A.1   |                           |  |              |                      |              |        |
| MODEL INFO: FG-000296-3D.A.1   |                           |  |              |                      |              |        |