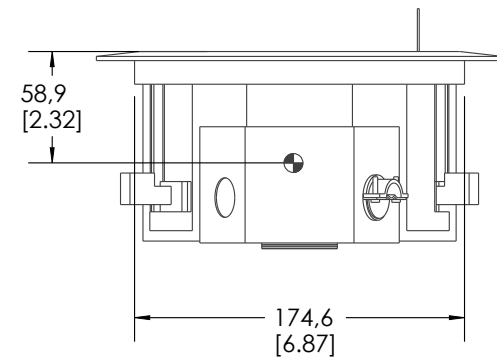
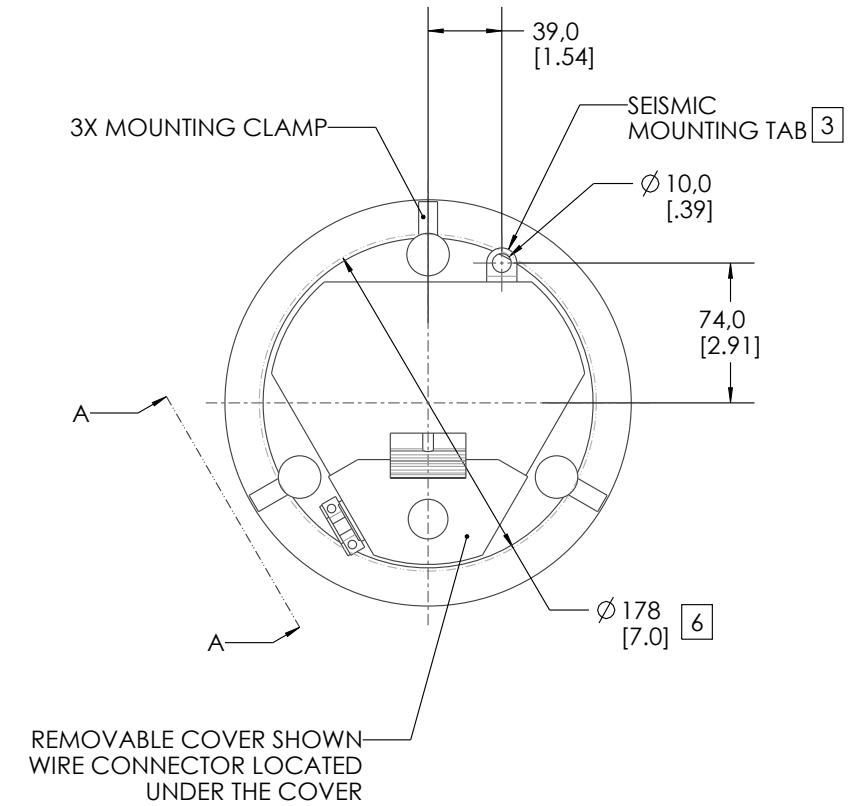
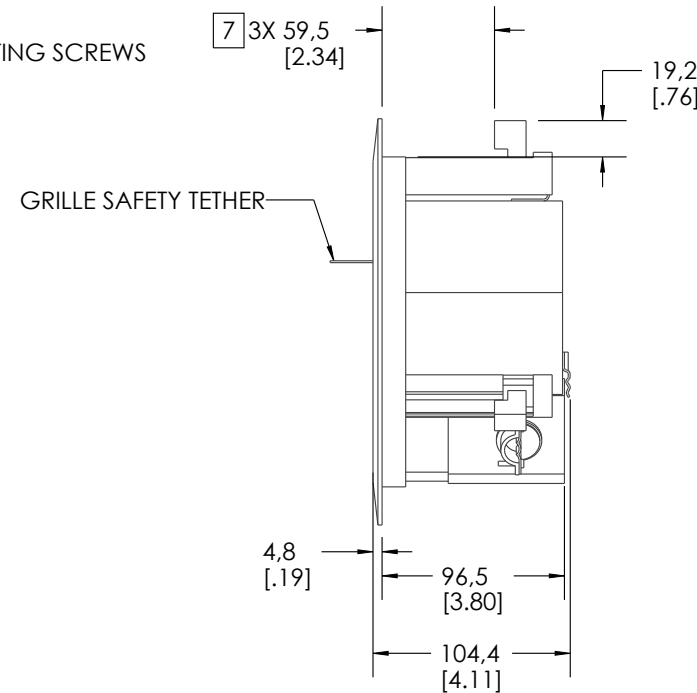
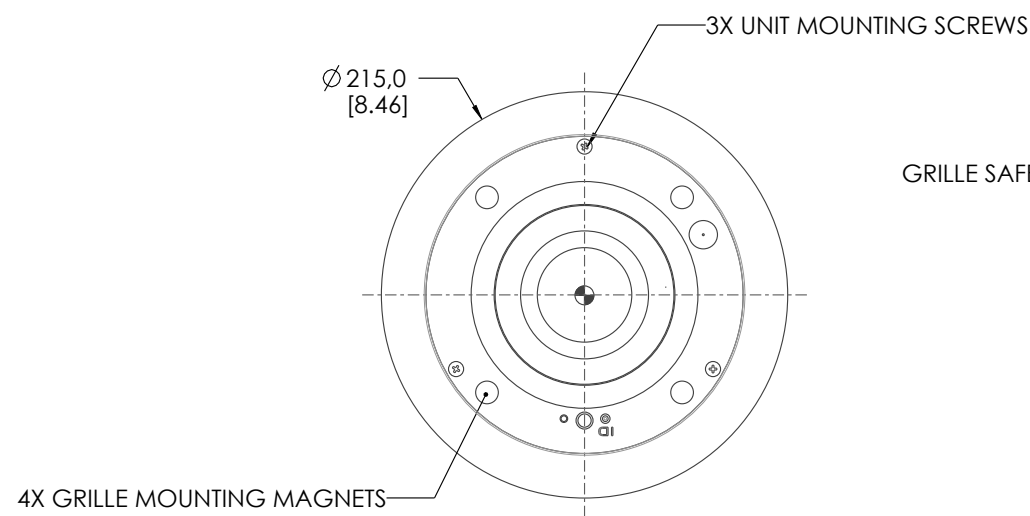
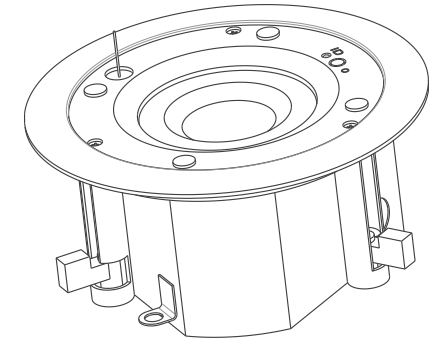
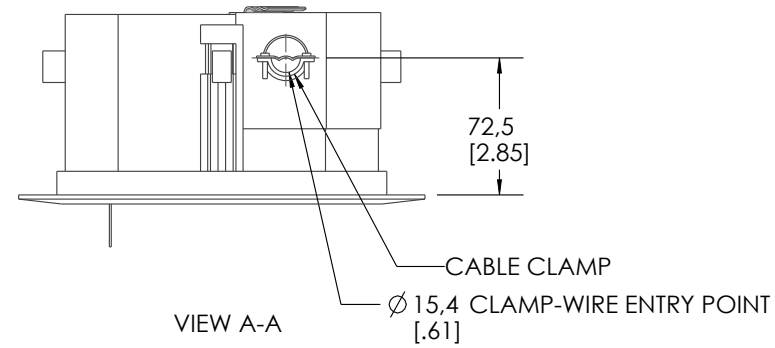


THIS DOCUMENT CONTAINS CONFIDENTIAL OR PROPRIETARY INFORMATION WHICH IS THE PROPERTY OF QSC, LLC, THAT MAY NOT BE DISCLOSED, REPRODUCED OR USED WITHOUT EXPRESS WRITTEN CONSENT FROM QSC, LLC. NO PORTION OF THIS DOCUMENT MAY BE REPRODUCED, REDISTRIBUTED, OR OTHERWISE DISCLOSED TO ANY THIRD PARTY WITHOUT QSC'S WRITTEN PERMISSION.

REVISION			
REV	DESCRIPTION	BY	DATE
A	INITIAL RELEASE	H.HE	27-JUL-21
B	DISPLAY DUAL DIMENSIIONS, ADD DIMENSIONS TO AID IN CUSTOMER INSTALLATION.	SS	8-JUNE-22



7 MOUNTING CLAMP MAXIMUM MATERIAL THICKNESS, 59.5 [2.34].

6 RECOMMENDED CEILING CUTOUT HOLE, Ø 178 [7.0].

5. GRILLE NOT SHOWN FOR CLARITY.

4. SYMBOL ⊕ INDICATES CENTER OF GRAVITY.

3 SEISMIC MOUNTING TAB.

2. PARTS ARE SYMMETRICAL ABOUT CENTER LINES UNLESS OTHERWISE NOTED.

1. NET WEIGHT APPROX 1.6 KG [3.6 LBS].

NOTE: UNLESS OTHERWISE SPECIFIED.

UNLESS OTHERWISE SPECIFIED DIMENSIONS ARE IN MM [IN]		CAD GENERATED DRAWING DO NOT MANUALLY UPDATE		QSC QSC, LLC 1675 MACARTHUR BOULEVARD COSTA MESA, CA 92626 USA	
TOLERANCES ARE: DECIMALS ANGLES .X ± 3.0[.12] ± 1°		APPROVALS		LOUDSPEAKER, NL-C4, CEILING	
MATERIAL SEE NOTES		DRAWN BY H. HE			
FINISH SEE NOTES		MECH ENGINEER T. GOSSARD			
DO NOT SCALE DRAWING		TECH DIRECTOR J. SANDERS		SIZE CAGE CODE DWG. NO. B 00PW4 FG-901505-2D	
PROJECTION SYMBOL		MFG ENGINEER M. LUO		REV B	
				SCALE: 1:4 CAD FILE: FG-901505-2D.B.1 SHEET: 1 OF 1	