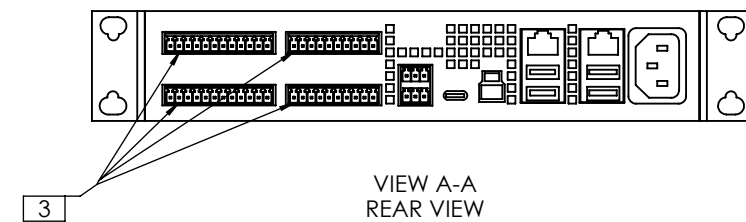
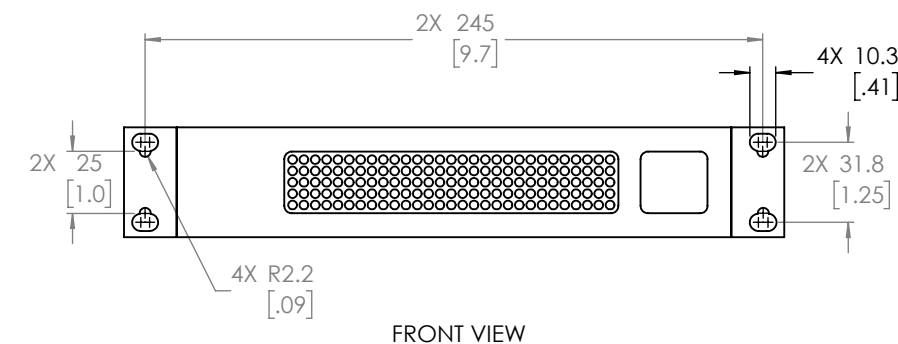
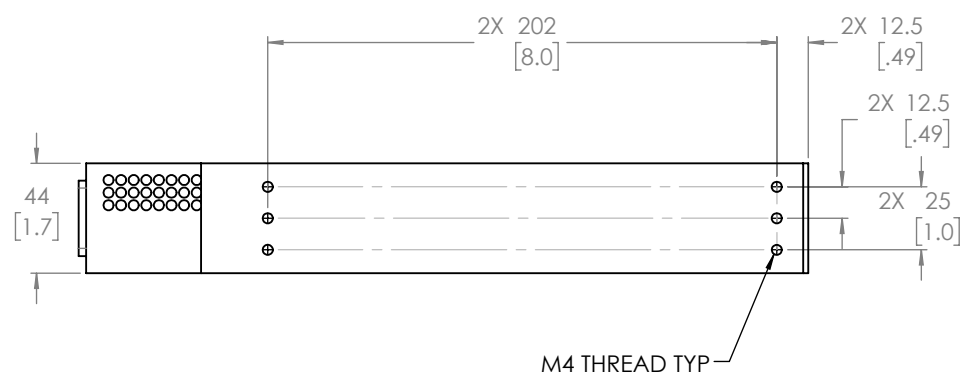
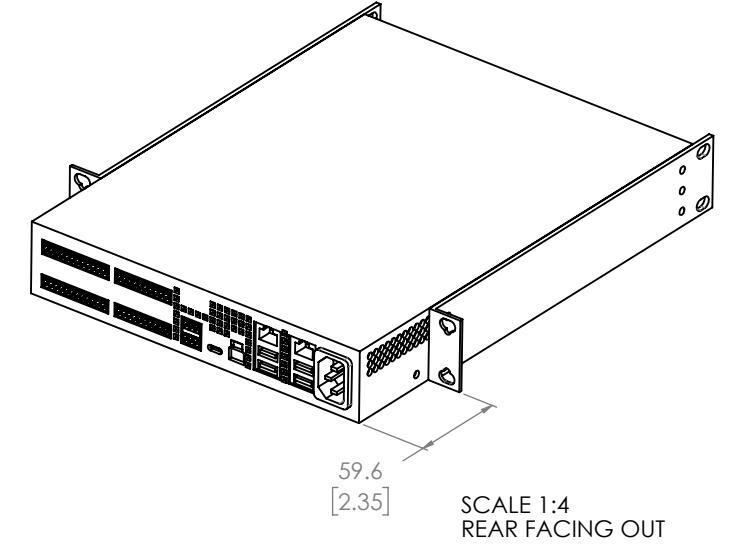
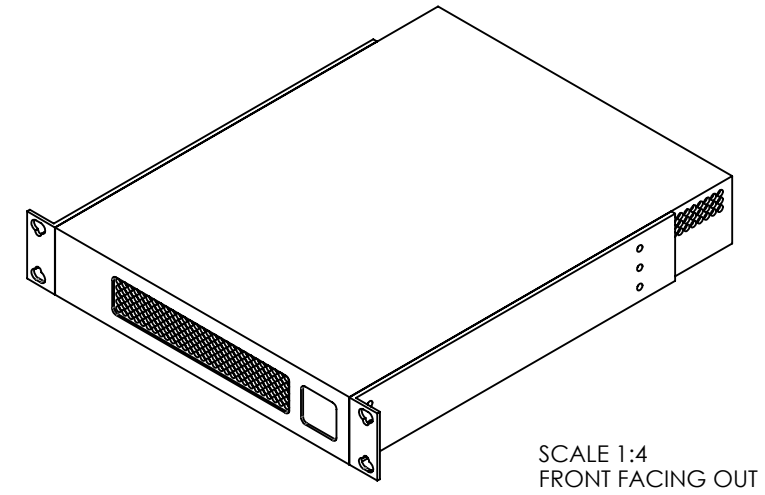
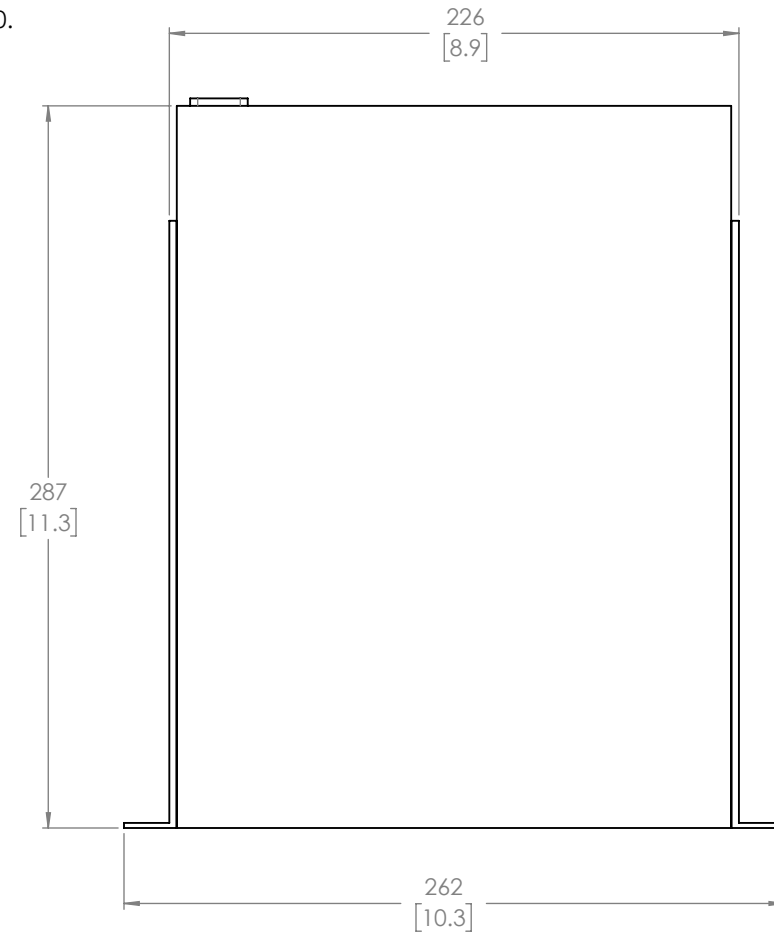


THIS DOCUMENT CONTAINS CONFIDENTIAL OR PROPRIETARY INFORMATION WHICH IS THE PROPERTY OF QSC, LLC THAT MAY NOT BE DISCLOSED, REPRODUCED OR USED WITHOUT EXPRESS WRITTEN CONSENT FROM QSC, LLC. NO PORTION OF THIS DOCUMENT MAY BE REPRODUCED, REDISTRIBUTED, OR OTHERWISE DISCLOSED TO ANY THIRD PARTY WITHOUT QSC'S WRITTEN PERMISSION.

| REVISIONS | | | |
|-----------|---------------------------------|----|-------------|
| REV | DESCRIPTION | BY | DATE |
| A | RELEASE FOR SALES AND MARKETING | SS | 27-JUL-2020 |

NOTES: UNLESS OTHERWISE SPECIFIED

- NET WEIGHT OF Q-SYS CORE 8 FLEX APPROXIMATELY 1.8 KG [4.0 LBS]. MOUNTING HARDWARE IS ADDITIONAL WEIGHT.
- NET WEIGHT OF Q-SYS CORE NANO APPROXIMATELY 1.6 KG [3.6 LBS]. MOUNTING HARDWARE IS ADDITIONAL WEIGHT.
- AUDIO CONNECTIONS ONLY AVAILABLE ON Q-SYS CORE 8 FLEX PRODUCT.
- CHASSIS DESIGNED TO MEET 1/2 U RACK MOUNT SPECIFICATION IEC60297-3-100.



| | | | | |
|--|---------------------|--|--|---|
| UNLESS OTHERWISE SPECIFIED DIMENSIONS ARE IN MM [IN] TOLERANCES ARE: | | CAD GENERATED DRAWING DO NOT MANUALLY UPDATE | | QSC, LLC 1675 MACARTHUR BOULEVARD COSTA MESA, CA 92626 USA |
| DECIMALS X ± 3 ± [1.2] .X ± 1 [0.4] | ANGLES ± 1° | APPROVALS | | |
| MATERIAL SEE NOTES | FINISH SEE NOTES | DRAWN BY S. STASIAK MECH ENGINEER | | Q-SYS CORE 8 FLEX/ CORE NANO, HALF RACK MOUNT |
| DO NOT SCALE DRAWING | | TECH DIRECTOR T. GOSSARD | | |
| PROJECTION SYMBOL | | MFG ENGINEER D. HOCH | | SIZE B |
| | | T. MORGAN | | CAGE CODE 00PW4 |
| | | | | DWG. NO. FG-901462-2D-C |
| | | | | REV A |
| | | | | SCALE: 1:3 |
| | | | | CAD FILE: FG-901462-2D-C |
| | | | | SHEET: 1 OF 1 |