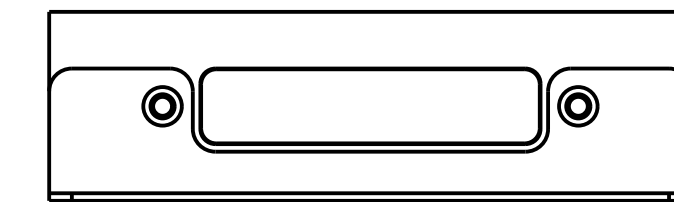
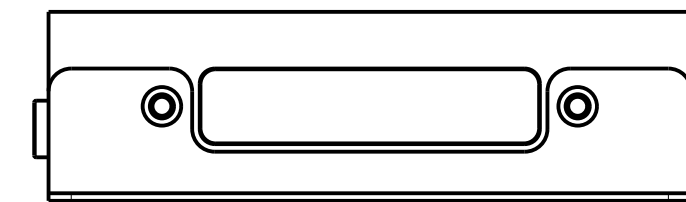
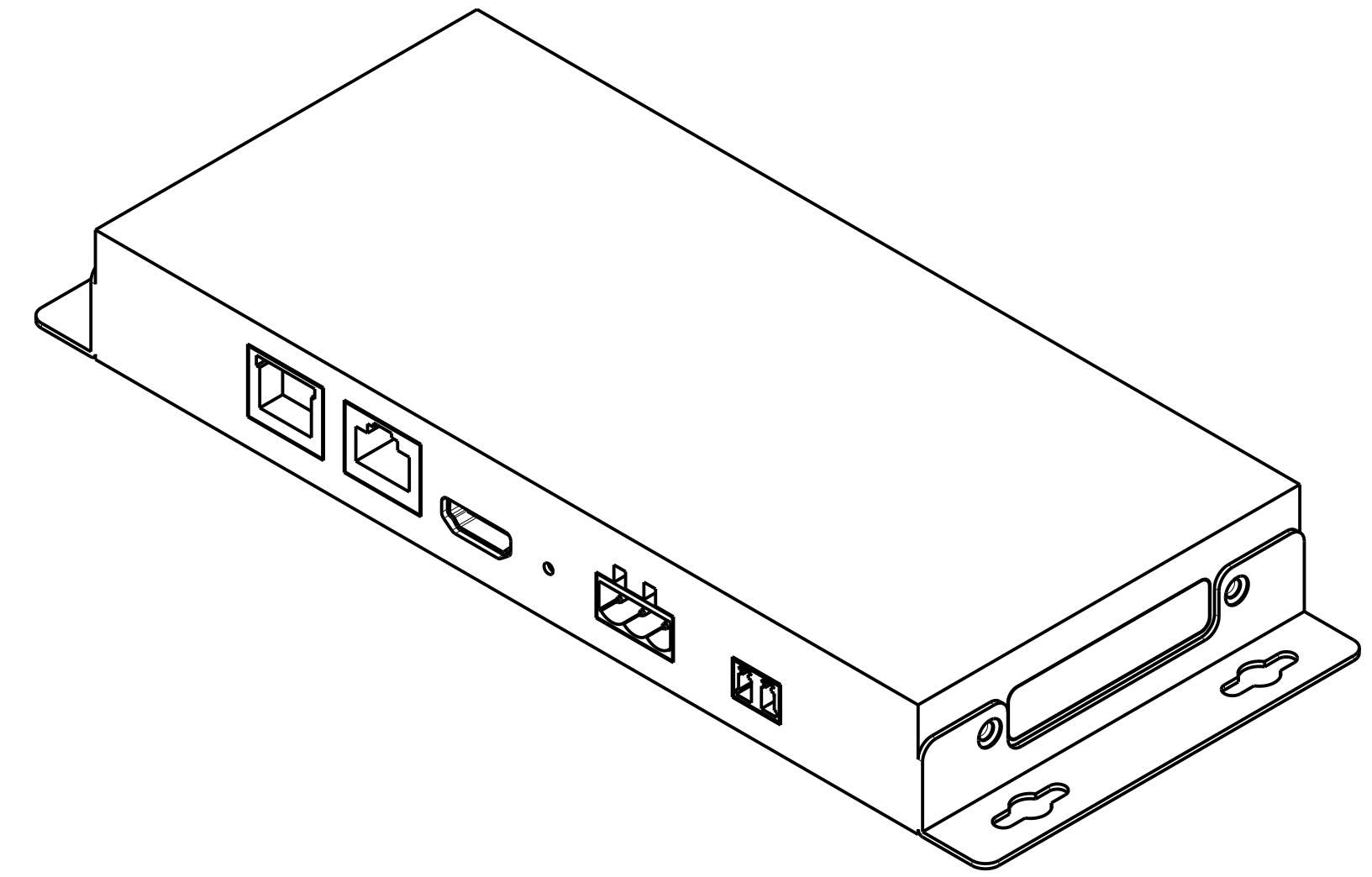
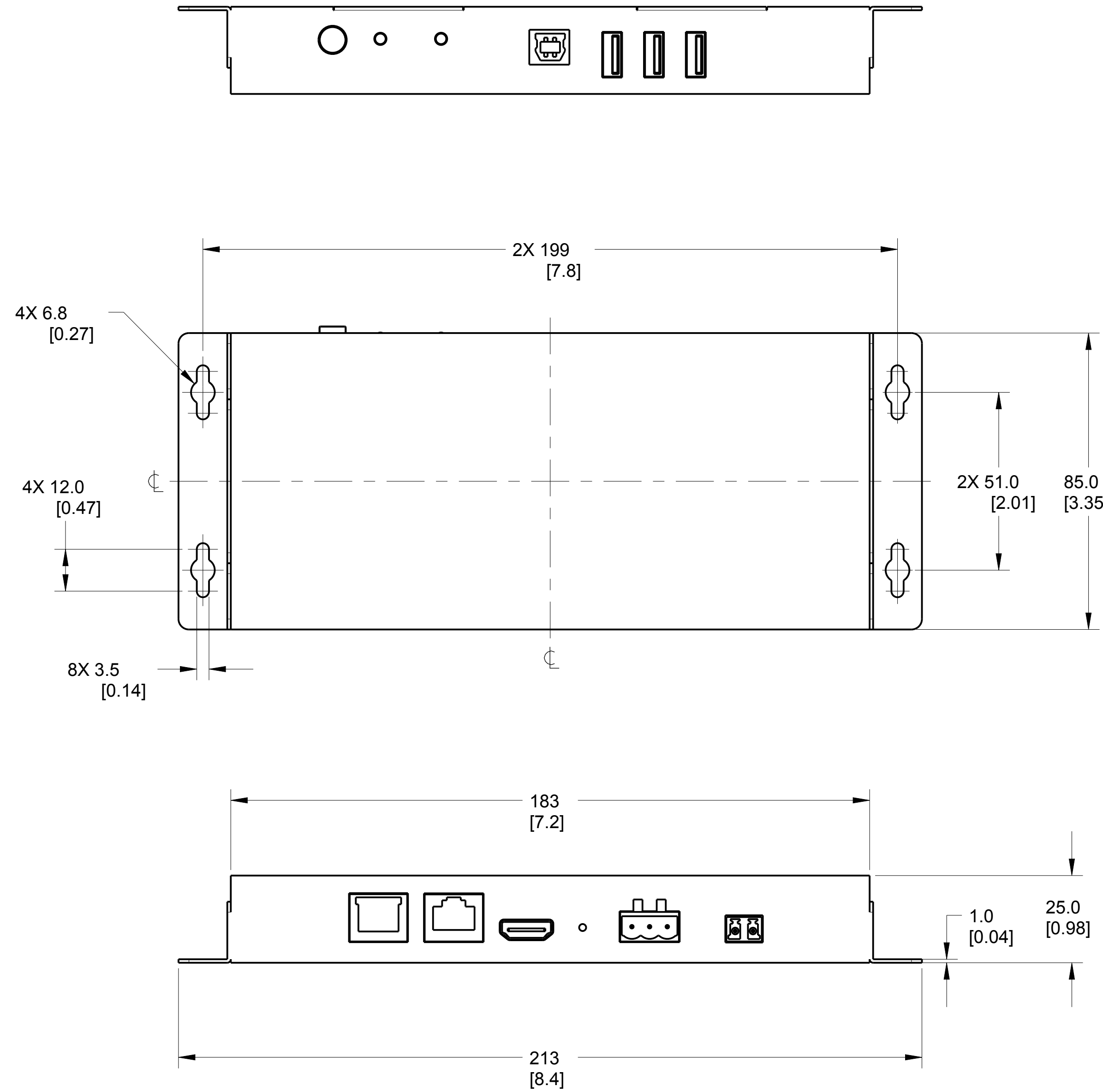


THIS DOCUMENT CONTAINS PROPRIETARY INFORMATION WHICH IS THE PROPERTY OF QSC, LLC. THAT MAY NOT BE DISCLOSED, REPRODUCED OR USED WITHOUT EXPRESS WRITTEN CONSENT FROM QSC, LLC.

REVISIONS			
REV	DESCRIPTION	BY	DATE
A	RELEASE FOR SALES AND MARKETING	ES	31-OCT-16



- NET WEIGHT APPROX. 1.2 LBS (0.54 KG).
- TOLERANCES (MM): X ± 3, ANGLES: ± 1°.
- DIMENSIONS ARE IN MILLIMETERS [INCH].
- PARTS ARE SYMMETRICAL ABOUT CENTER LINES UNLESS OTHERWISE NOTED

NOTES: UNLESS OTHERWISE SPECIFIED

UNLESS OTHERWISE SPECIFIED DIMENSIONS IN MILLIMETERS [IN] TOLERANCES ARE: DECIMALS DECIMALS ANGLES X± .5[.02] XX± .25[.01] ± 1/2 DEBURR EDGES .25 [0.01] R MAX	DESIGNER	QSC, LLC			
	ENGINEER	1675 MACARTHUR BOULEVARD COSTA MESA, CA 92626			
	TECHNICAL DIRECTOR	USB BRIDGE, FINISHED, Q-SYS			
	MANUFACTURING ENGINEER				
FINISH	DRAWING INFO: FG-222002-2D.A.0	SIZE D	CAGE CODE 00PW4	DRAWING NO. FG-222002-2D	REV A
	MODEL INFO: FG-222002-3D.A.0	SCALE: 1.000	DO NOT SCALE DRAWING	SHEET	1 OF 1