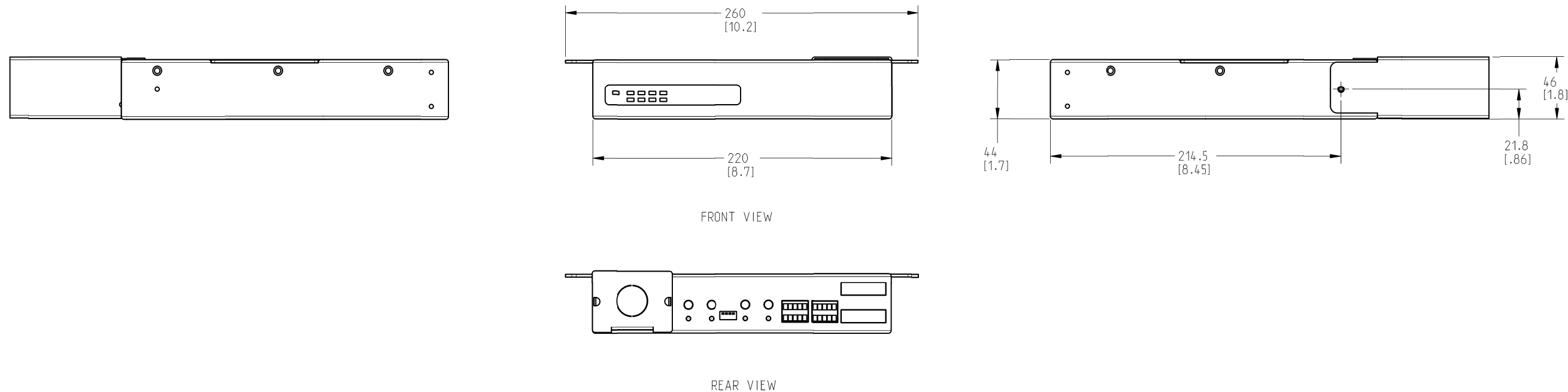
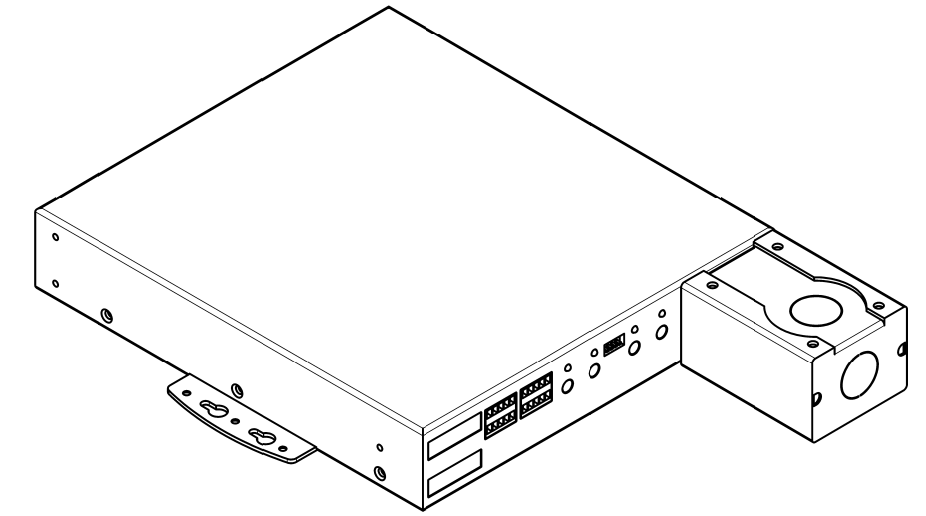
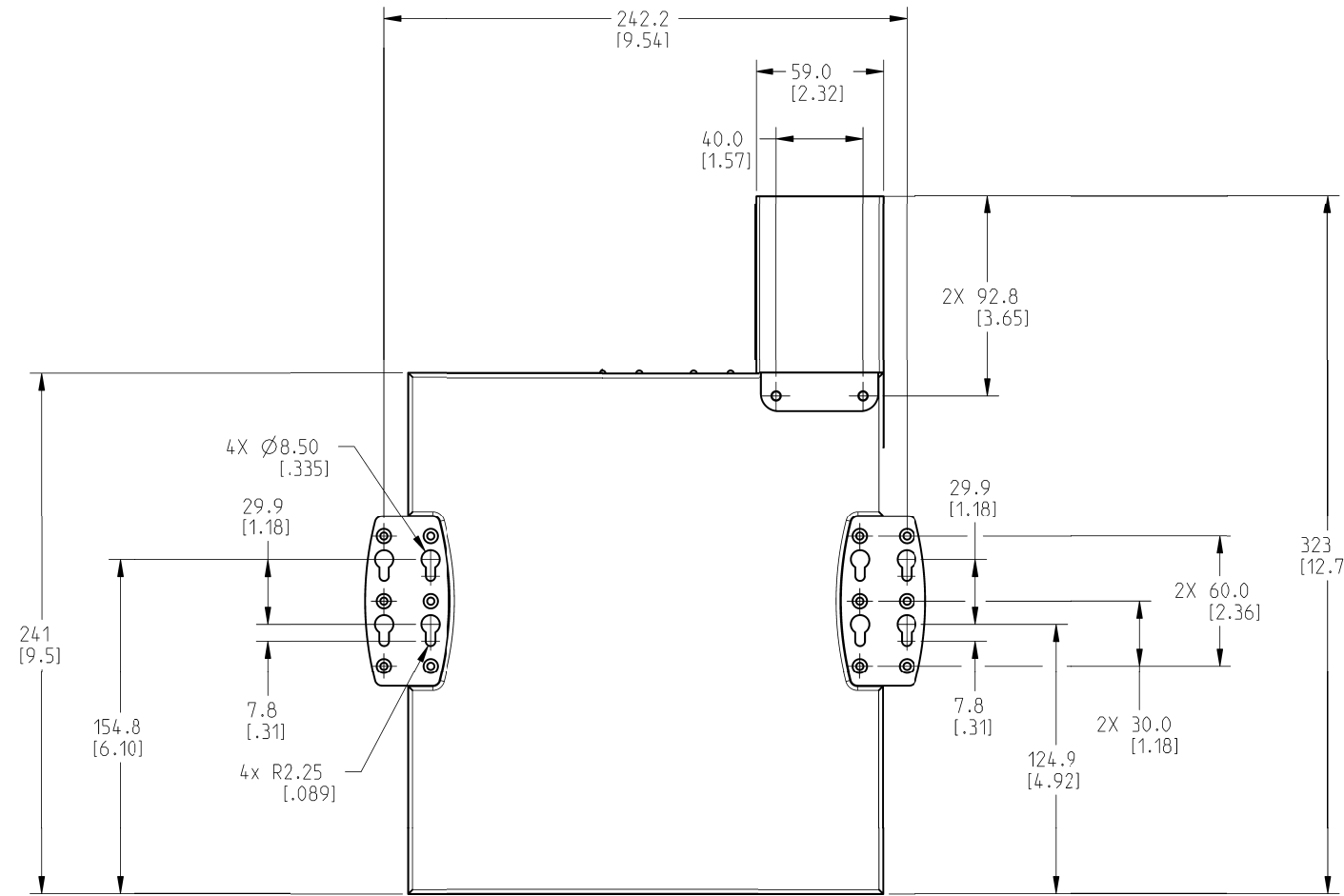


THIS DOCUMENT CONTAINS PROPRIETARY INFORMATION WHICH IS THE PROPERTY OF QSC AUDIO PRODUCTS. THAT MAY NOT BE DISCLOSED, REPRODUCED OR USED WITHOUT EXPRESS WRITTEN CONSENT FROM QSC AUDIO PRODUCTS.

REVISIONS			
REV	DESCRIPTION	BY	DATE
A	RELEASE FOR SALES AND MARKETING	SS	04-SEP-15



1. NET WEIGHT OF SPA4-60 APPROX. 1.4 KG (4.0 LBS). HARDWARE IS ADDITIONAL WEIGHT.
2. FEATURES SYMMETRICAL ABOUT CENTERLINE.
3. CHASSIS DESIGNED TO MEET 1U RACK MOUNT SPECIFICATION IEC60297-3-100.
4. MEETS ENERGYSTAR REQUIREMENTS.
5. MEETS UL2043 WITH PLENUM KIT FG-000995-00.

NOTE: UNLESS OTHERWISE SPECIFIED.

UNLESS OTHERWISE SPECIFIED DIMENSIONS IN MILLIMETERS (IN) TOLERANCES ARE: DECIMALS .XX±.021 ANGLES ±.1/2 DECURR EDGES .25 (.010) R MAX MATERIAL FINISH	DESIGNER	ENGINEERING SERVICES	QSC AUDIO PRODUCTS, LLC 1675 MACARTHUR BOULEVARD COSTA MESA, CA 92626					
	ENGINEER	-						
	TECHNICAL DIRECTOR	-						
	MANUFACTURING ENGINEER	-						
DRAWING INFO: FG-004404-2D-F.A.2	SIZE	D	CAGE CODE	00PW4	DRAWING NO.	FG-004404-2D-F	REV	A
MODEL INFO: FG-004404-3D-FA.1	SCALE:	0.600	DO NOT SCALE DRAWING	SHEET	1 OF 1			