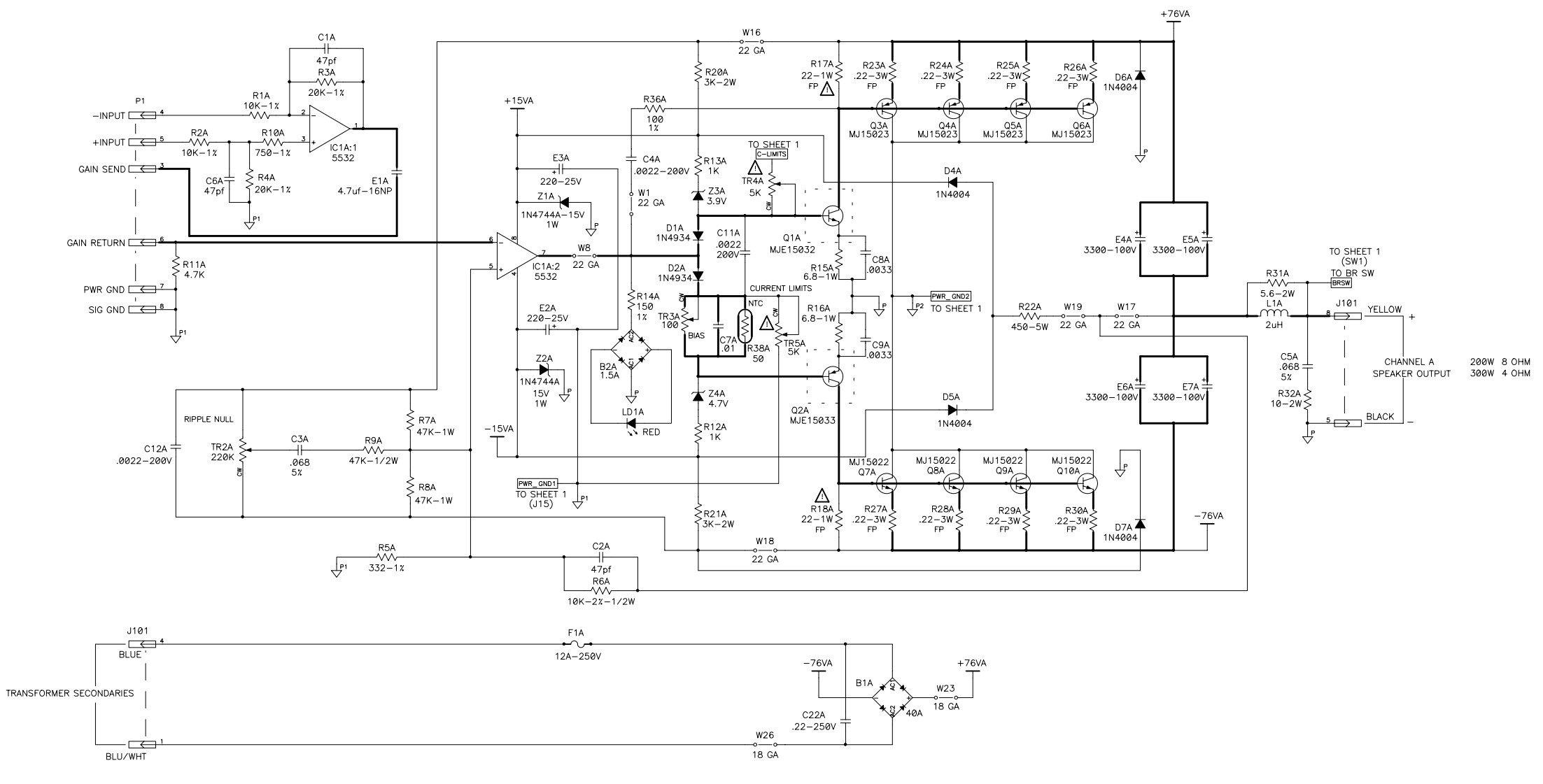


THIS DOCUMENT CONTAINS PROPRIETARY INFORMATION WHICH IS THE PROPERTY OF QSC AUDIO PRODUCTS. THAT MAY NOT BE DISCLOSED, REPRODUCED OR USED WITHOUT EXPRESS WRITTEN CONSENT FROM QSC AUDIO PRODUCTS.

SCHEMATIC, MAIN BOARD, USA 900 AMP

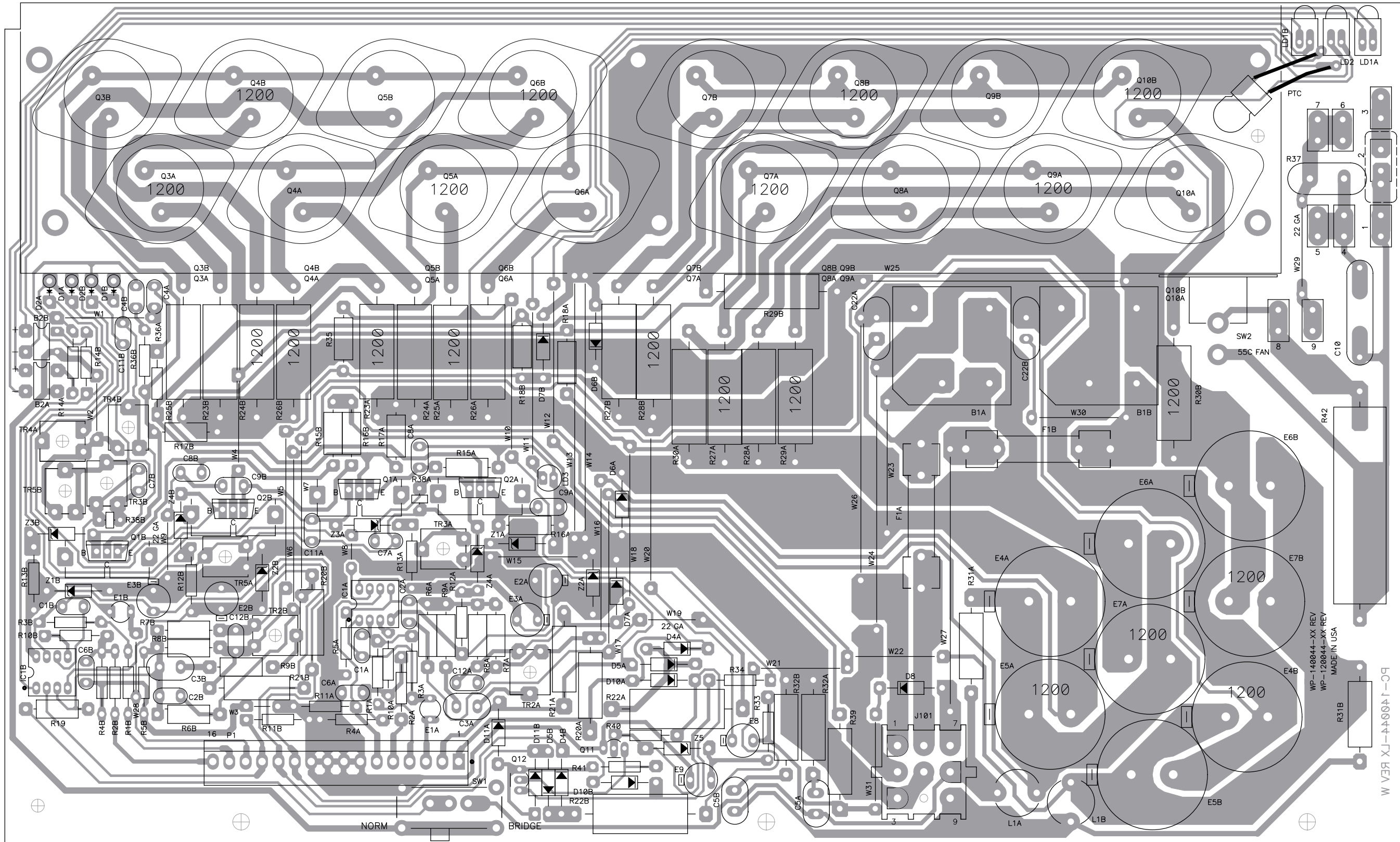
CHANNEL - 1



NOTES: UNLESS OTHERWISE SPECIFIED

SIZE D	FSCM NO.	DWG NO. SH-140301-JX	REV V
SCALE NONE	CAD FILE NO. SH1400T1.SCH	SHEET 2 OF 2	

V 2 SH-140301-JX



WP-148044-XX REV
 WP-128044-XX REV
 MADE IN USA

PC-148044-LX REV W

