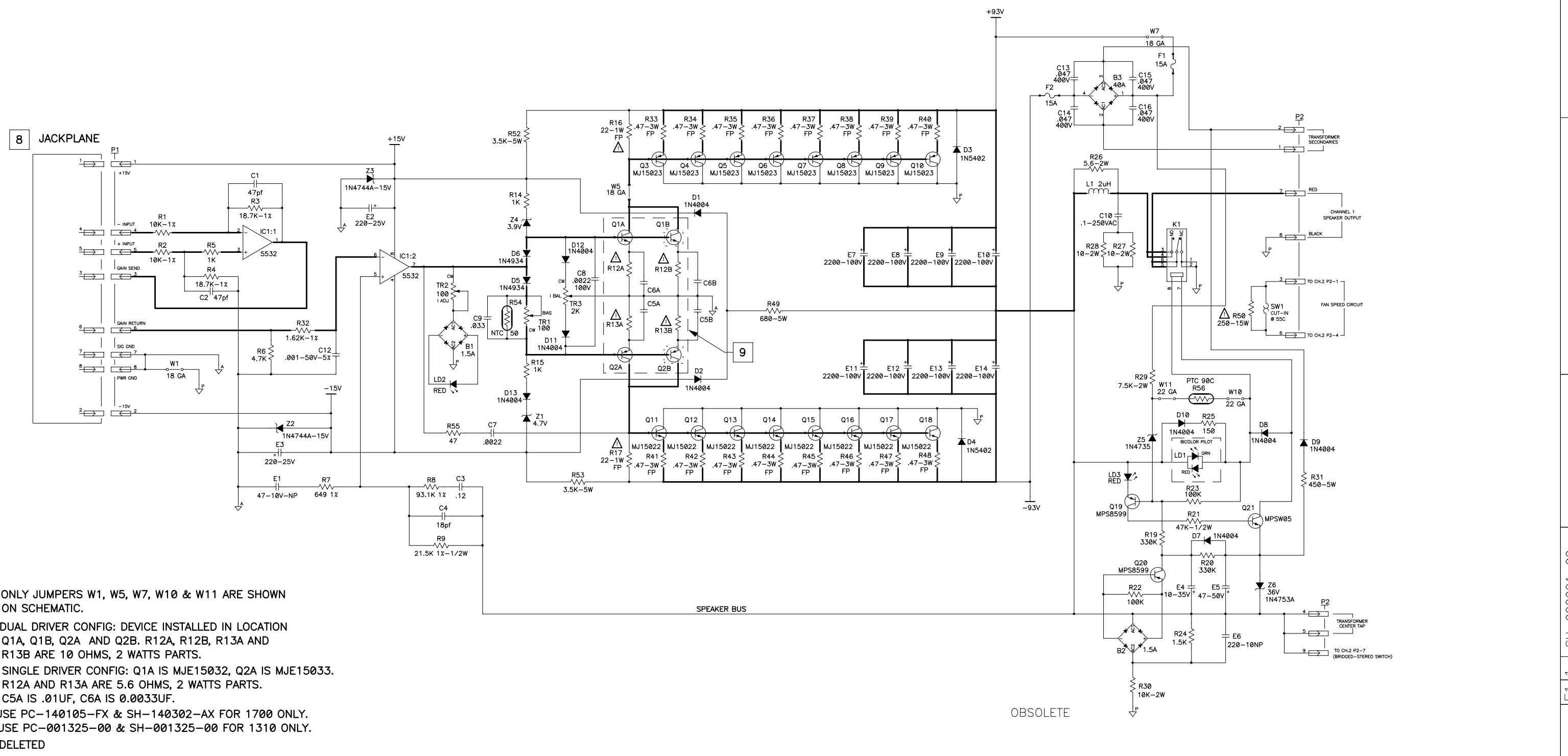


THIS DOCUMENT CONTAINS PROPRIETARY INFORMATION WHICH IS THE PROPERTY OF QSC AUDIO PRODUCTS. THAT MAY NOT BE DISCLOSED, REPRODUCED OR USED WITHOUT EXPRESS WRITTEN CONSENT FROM QSC AUDIO PRODUCTS.

REVISION				
REV	DESCRIPTION	EFF. DATE	CHK	APPROVED / DATE

**8 JACKPLANE**



- 10. ONLY JUMPERS W1, W5, W7, W10 & W11 ARE SHOWN ON SCHEMATIC.
- 9 DUAL DRIVER CONFIG: DEVICE INSTALLED IN LOCATION Q1A, Q1B, Q2A AND Q2B. R12A, R12B, R13A AND R13B ARE 10 OHMS, 2 WATTS PARTS.  
SINGLE DRIVER CONFIG: Q1A IS MJE15032, Q2A IS MJE15033. R12A AND R13A ARE 5.6 OHMS, 2 WATTS PARTS. C5A IS .01UF, C6A IS 0.0033UF.
- 8 USE PC-140105-FX & SH-140302-AX FOR 1700 ONLY.  
USE PC-001325-00 & SH-001325-00 FOR 1310 ONLY.

- 7. DELETED
  - 6. ALL RESISTORS MARKED \*FP\* ARE FLAMEPROOF CONSTRUCTION AND MINIMUM OF 1/2W.
  - 5. REPLACE PARTS MARKED  $\Delta$  AND FP WITH SAME TYPE ONLY FOR CONTINUED SAFETY.
  - 4. HEAVY LINE SHOWS MAIN SIGNAL PATH.
  - 3. USE QSC REPLACEMENT TRANSISTORS ONLY.
  - 2. ALL CAPACITORS IN  $\mu$ F, 100V UNLESS SHOWN.
  - 1. ALL RESISTOR VALUES ARE IN OHM 5%, 1/4W,
- NOTES: UNLESS OTHERWISE SPECIFIED

CONNECTORS	
9 PIN PCB CONNECTOR (P2)	JACK PLANE 8 PIN HEADER CONNECTION (P1)

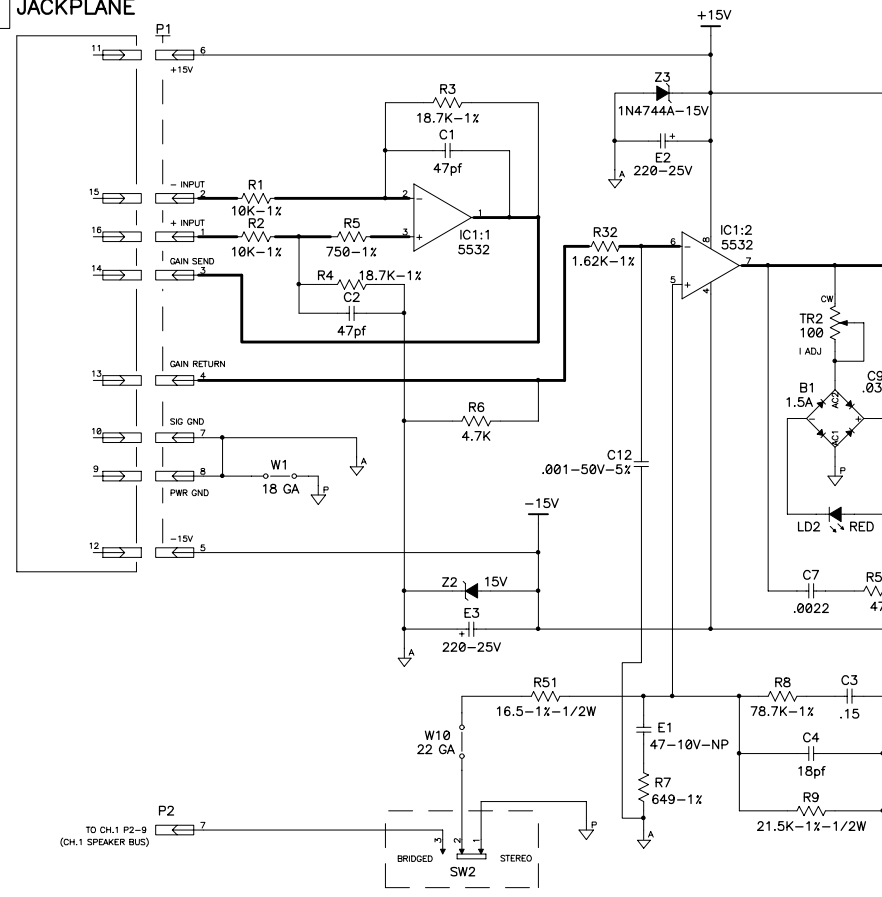
PARTS LIST		CONTRACT NO.		QSC AUDIO PRODUCTS, INC. COSTA MESA, CALIFORNIA	
UNLESS OTHERWISE SPECIFIED DIMENSIONS ARE IN INCHES. DIMENSIONS PER ANSI Y14.5-1982	TOLERANCES ARE: DECIMALS DECIMALS ANGLES .XX ± .02 .XXX ± .010 ± 1/2°	APPROVALS	DATE	SCHEMATIC DIAGRAM USA 1310 CHAN 1 MAIN PCB	
DEBURR EDGES .XXX # MAX	MATERIAL	B. MITCHELL	7-12-94	SIZE	FSCM NO.
FINISH	ISSUED	DRAWN		D	SH-00001-00
WP-170053-TS 1700 (230V)	WP-170053-TD 1700 (120V)	CHECKED	ISSUED	SCALE	NONE
NEXT ASSY	USED ON	ISSUED	CAD FILE NO.	USA1310SCH.sch	SHEET 1 OF 1
APPLICATION	DO NOT SCALE DRAWING	CAD FILE NO.	SH0001-E.SCH	SCALE	NONE

F1 SH-00001-00

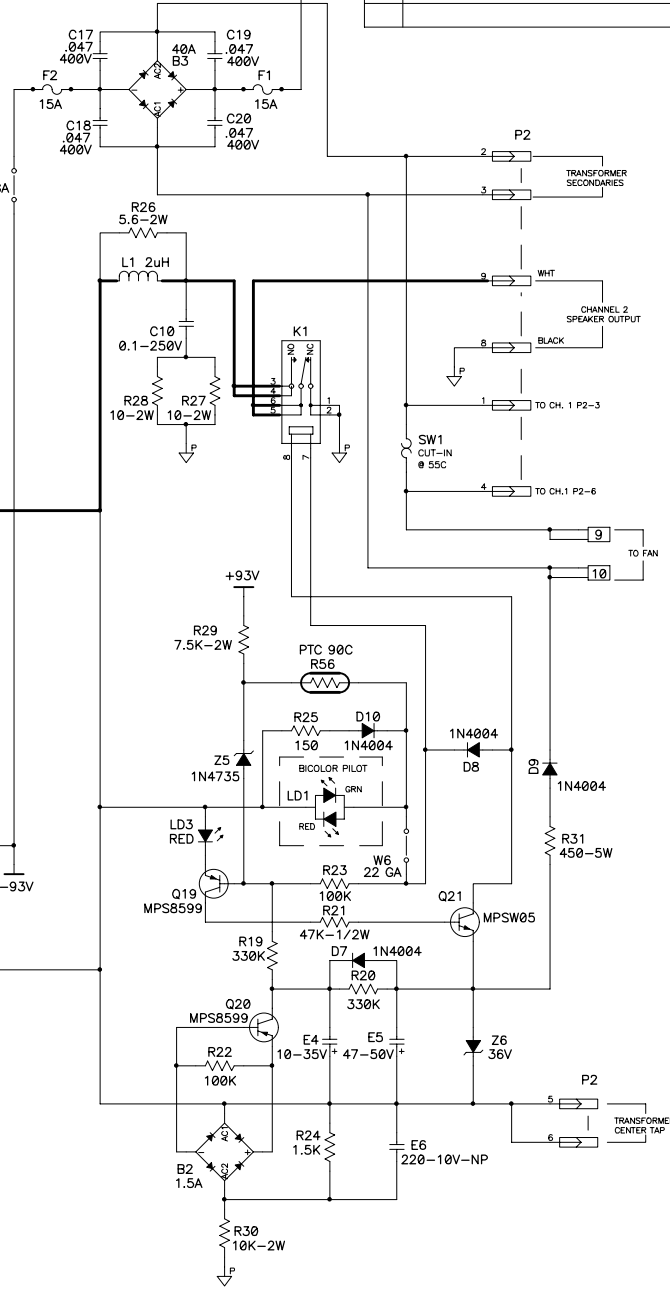
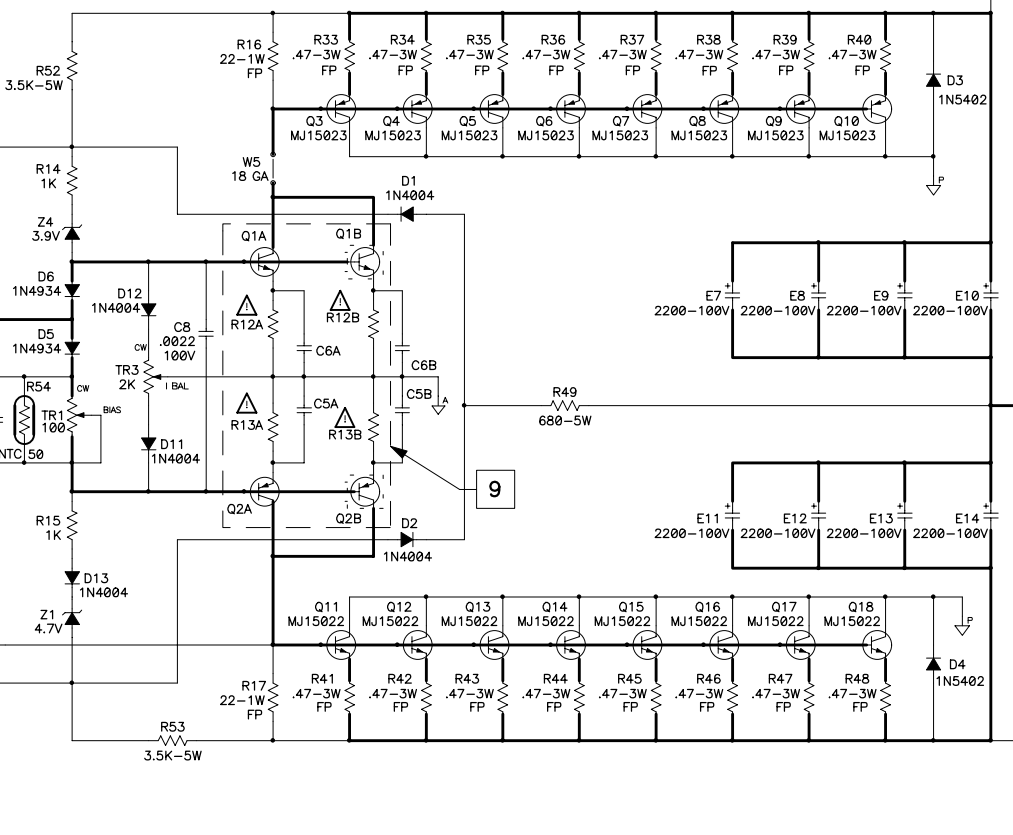
THIS DOCUMENT CONTAINS PROPRIETARY INFORMATION WHICH IS THE PROPERTY OF QSC AUDIO PRODUCTS. THAT MAY NOT BE DISCLOSED, REPRODUCED OR USED WITHOUT EXPRESS WRITTEN CONSENT FROM QSC AUDIO PRODUCTS.

REVISION				
REV	DESCRIPTION	EFF. DATE	CHK	APPROVED / DATE

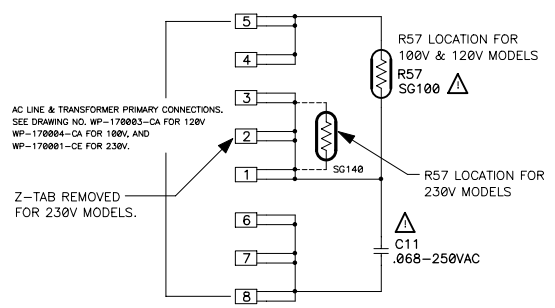
**8 JACKPLANE**



**9 SPEAKER BUS**



- 10. ONLY JUMPERS W1, W5-W7 & W10 ARE SHOWN ON SCHEMATIC.
  - 9 DUAL DRIVER CONFIG: DEVICE INSTALLED IN LOCATION Q1A, Q1B, Q2A AND Q2B. R12A, R12B, R13A AND R13B ARE 10 OHMS, 2 WATTS PARTS.  
SINGLE DRIVER CONFIG: Q1A IS MJE15032, Q2A IS MJE15033. R12A AND R13A ARE 5.6 OHMS, 2 WATTS PARTS. C5A IS .01UF, C6A IS 0.0033UF.
  - 8 USE PC-140105-FX & SH-140302-AX FOR 1700 ONLY. USE PC-001325-00 & SH-001325-00 FOR 1310 ONLY.
  - 7. DELETED.
  - 6. ALL RESISTORS MARKED \*FP\* ARE FLAMEPROOF CONSTRUCTION AND MINIMUM OF 1/2W.
  - 5. REPLACE PARTS MARKED  $\Delta$  AND FP WITH SAME TYPE ONLY FOR CONTINUED SAFETY.
  - 4. HEAVY LINE SHOWS MAIN SIGNAL PATH.
  - 3. USE QSC REPLACEMENT TRANSISTORS ONLY.
  - 2. ALL CAPACITORS IN uF, 100V UNLESS SHOWN.
  - 1. ALL RESISTOR VALUES ARE IN OHM 5%, 1/4W,
- NOTES: UNLESS OTHERWISE SPECIFIED

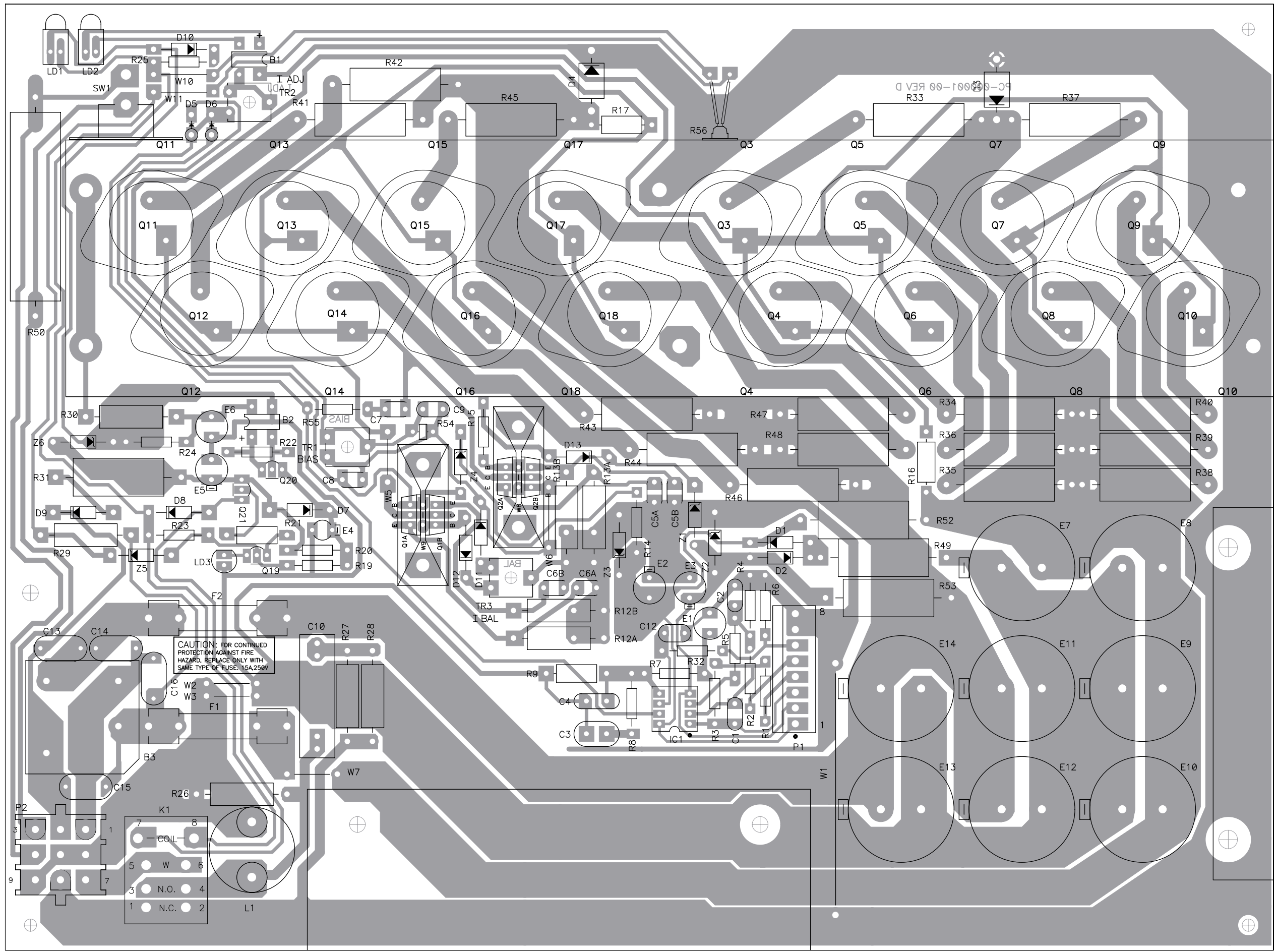


**CONNECTORS**  
 QUICK DISCONNECT TERMINALS (1-10)  
 9 PIN PCB CONNECTOR (P2)  
 JACK PLANE 8 PIN HEADER CONNECTION (P1)

APPLICATION		DO NOT SCALE DRAWING		PARTS LIST	
WP-170054-TS	1700 (230V)	CONTRACT NO.		QSC AUDIO PRODUCTS, INC. COSTA MESA, CALIFORNIA	
WP-170054-TD	1700 (120V)	APPROVALS	DATE	SCHEMATIC DIAGRAM USA 1310 CHAN 2 MAIN PCB	
NEXT ASSY	USED ON	B. MITCHELL	7-12-94	SIZE	FSCM NO.
		CAD FILE NO.	SH0002-E.SCH	D	SH-000002-00
		CAD FILE NO.	USA1310SCH2.sch	SCALE	NONE
				SHEET	1 OF 1

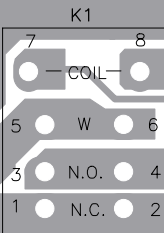
SH-000002-00



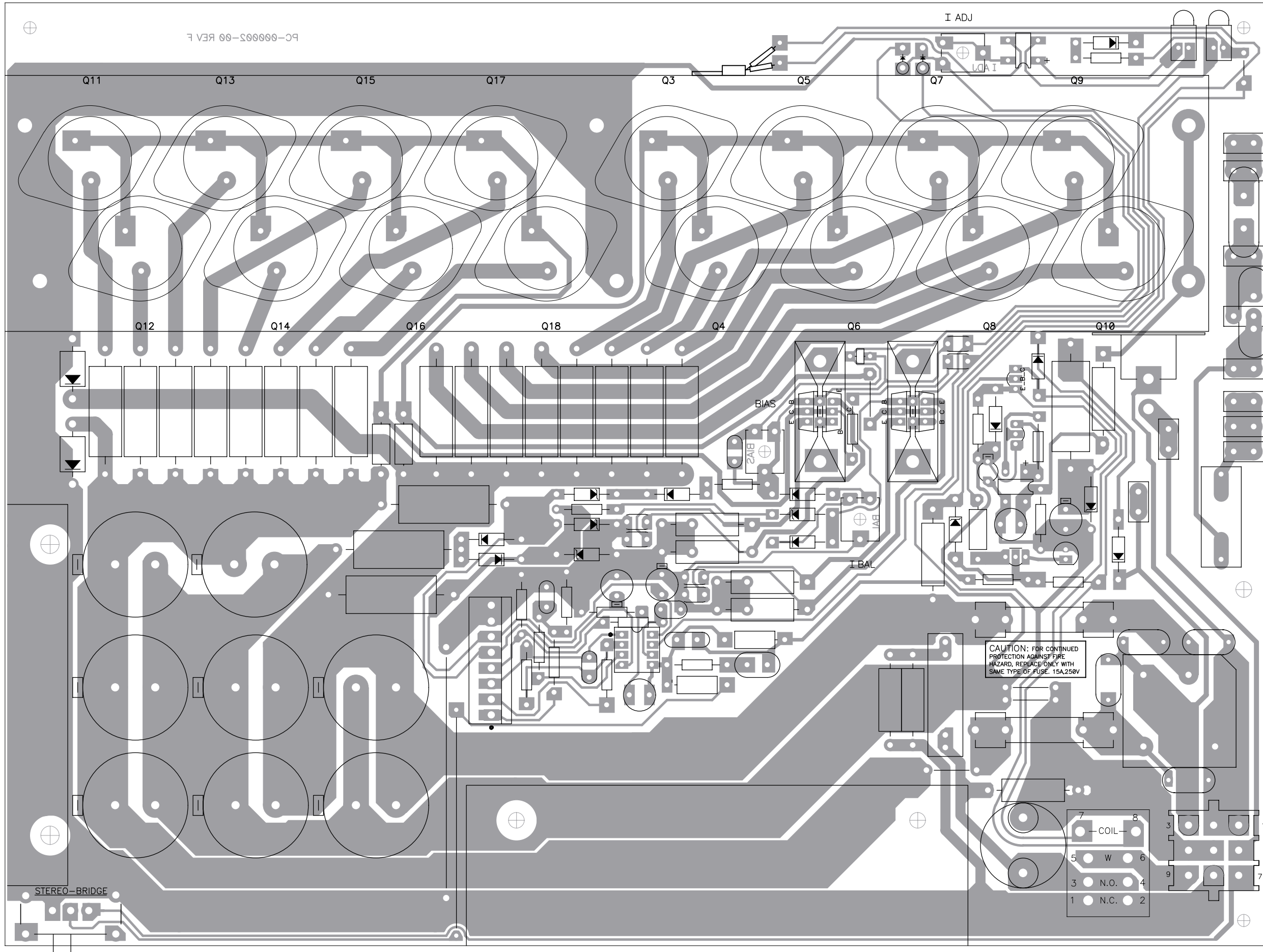


CAUTION: FOR CONTINUED PROTECTION AGAINST FIRE HAZARD, REPLACE ONLY WITH SAME TYPE OF FUSE. 15A, 250V

REV 00-100001-00



1 N.C. 2 N.C. 3 N.O. 4 N.O. 5 W 6 W 7 COIL 8 COIL 9 N.O.



CAUTION: FOR CONTINUED PROTECTION AGAINST FIRE HAZARD, REPLACE ONLY WITH SAME TYPE OF FUSE. 15A,250V

