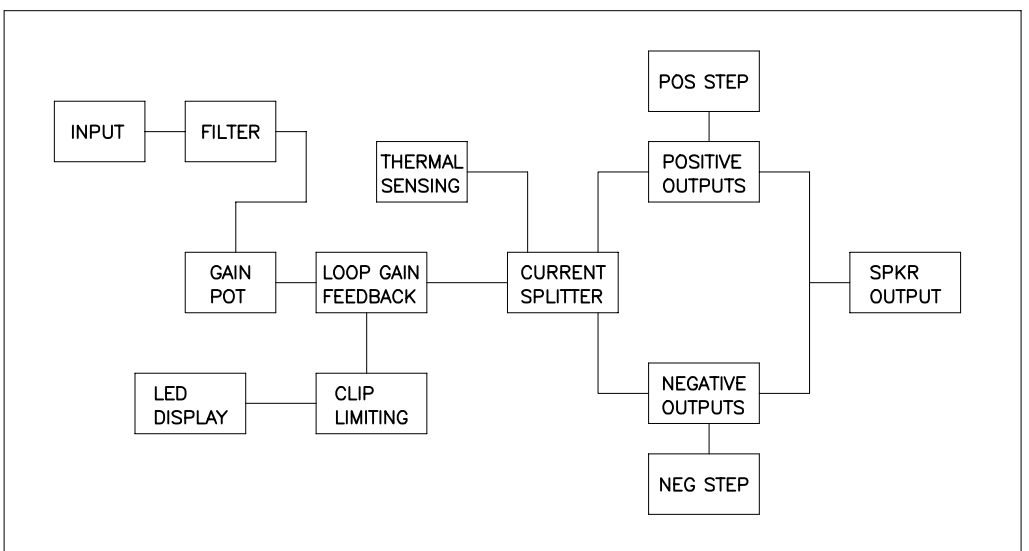
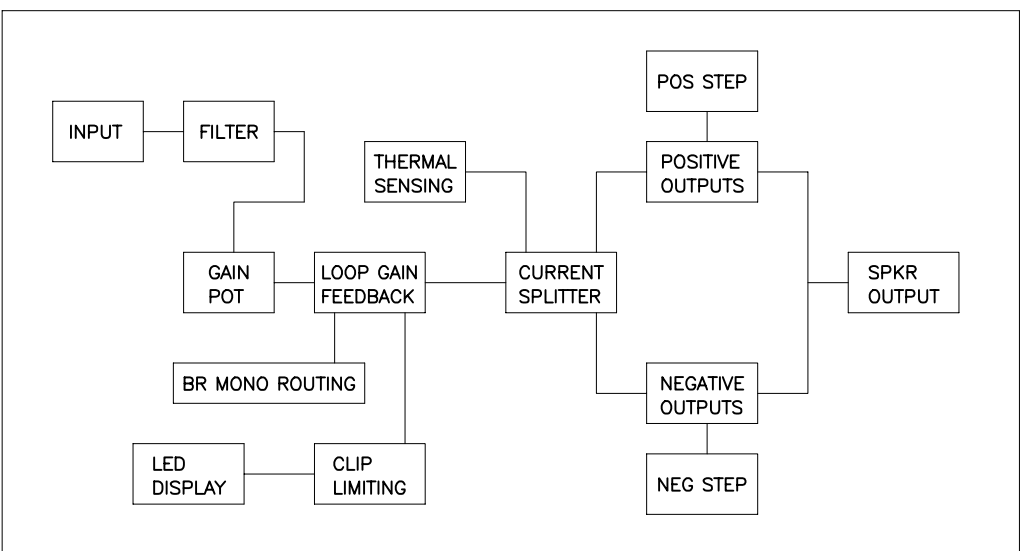


THIS DOCUMENT CONTAINS PROPRIETARY INFORMATION WHICH IS THE PROPERTY OF QSC AUDIO PRODUCTS, THAT MAY NOT BE DISCLOSED, REPRODUCED OR USED WITHOUT EXPRESS WRITTEN CONSENT FROM QSC AUDIO PRODUCTS.

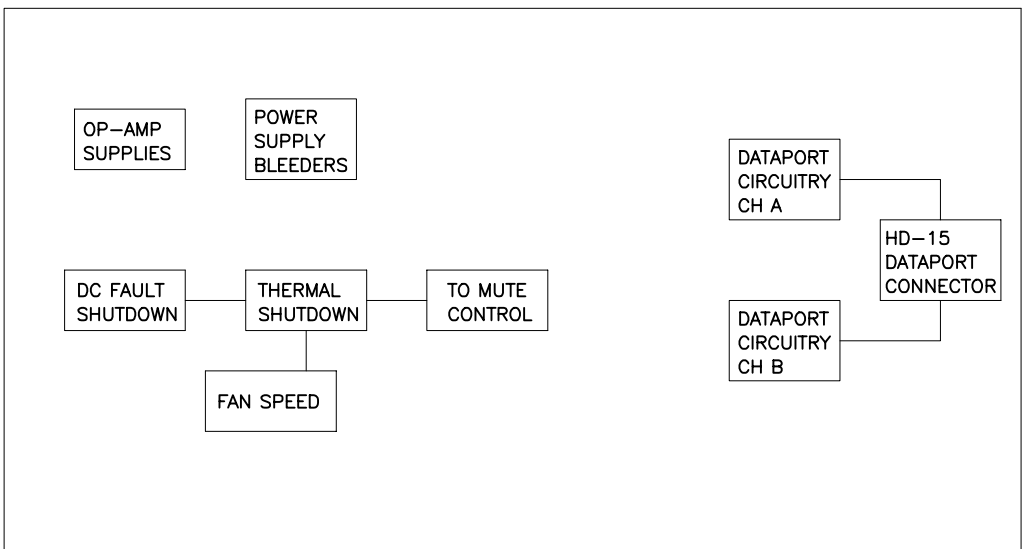
REVISION				
REV	DESCRIPTION	EFF. DATE	CHK	APPROVED / DATE
A	PRODUCTION RELEASE PER ECO 5556 AA	12-06-02		



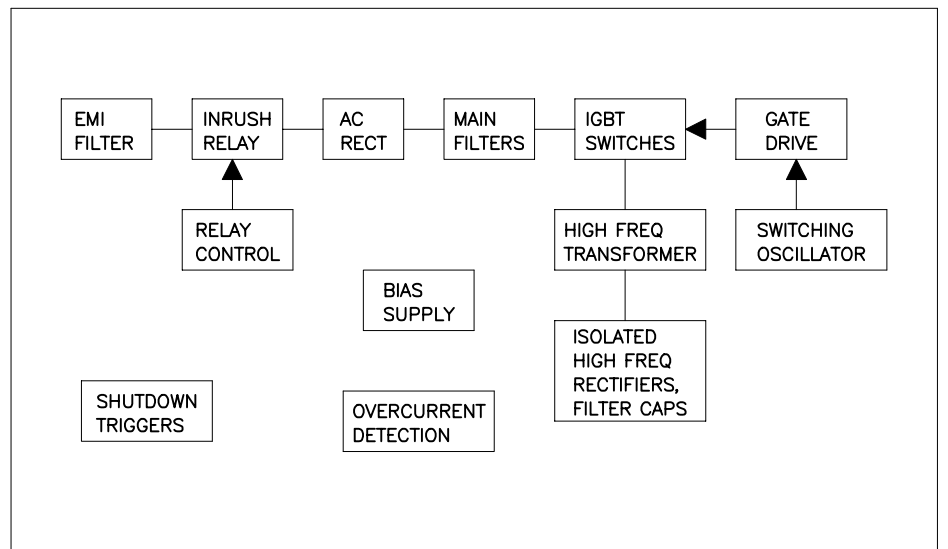
CHANNEL A  
AUDIO CIRCUITS  
SHEET 2



CHANNEL B  
AUDIO CIRCUITS  
SHEET 3



SUPPORT,  
PROTECTION  
AND DATAPORT  
CIRCUITS  
SHEET 4



SWITCHING  
POWER  
SUPPLY  
SHEET 5

- 8. ZENER TOLERANCE IS 5%
  - 7. SMT CAPACITOR VOLTAGE IS 50V
  - 6. SMT RESISTOR WATTAGE RATING IS 0.1W
  - 5. RESISTOR WATTAGE RATING IS 1/4W  
FOR RESISTOR WATTAGE RATINGS GREATER THAN 1W, TOLERANCE IS 5%  
FOR RESISTOR WATTAGE RATINGS LESS THAN 1/2W, TOLERANCE IS 1%
  - 4. THROUGH-HOLE FILM AND CERAMIC CAPACITOR TOLERANCE IS 10%, VOLTAGE IS 100V
  - 3. ELECTROLYTIC CAPACITOR TOLERANCE IS 20%
  - 2. COMPONENTS WITH VALUE PREFIXED WITH A "\*" REPRESENT SMT COMPONENTS.
  - 1. THIS DRAWING USED IN CONJUNCTION WITH ASSEMBLY WP-003623-XX.
- NOTES: UNLESS OTHERWISE SPECIFIED

TABULATION BLOCK			
DASH NO.	F1	1	R321, 322, 326, 328 2
-00 (120V)	25A, 125V		487K
-01 (100V)	30A, 125V		392K
-02 (230V)	15A, 250V		487K

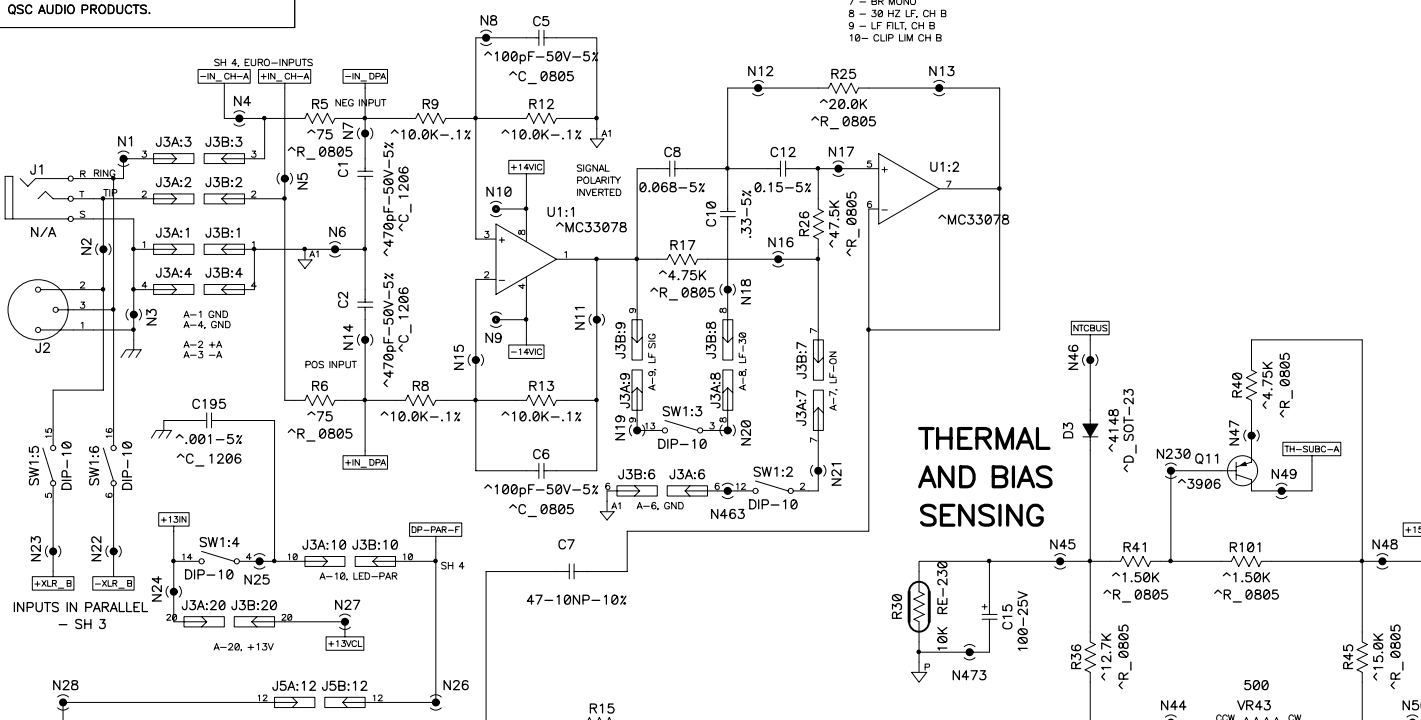
QTY	ITEM NO.	PART NO.	DESCRIPTION	VENDOR
PARTS LIST				
UNLESS OTHERWISE SPECIFIED DIMENSIONS ARE IN INCHES. DIMENSIONS PER ANSI Y14.5-1982 TOLERANCES ARE: DECIMALS DECIMALS ANGLES .XX ± .XXX ± ° DEBURR EDGES .XXX R MAX MATERIAL FINISH			CONTRACT NO. <b>QSC AUDIO PRODUCTS, INC.</b> COSTA MESA, CALIFORNIA	
APPROVALS			DATE	
DRAWN			5-24-02	
PAT QUILTER				
CHECKED				
ISSUED				
CAD SEED FILE NO.			PLOT DATE: Mon Nov 03 2003	
DO NOT SCALE DRAWING			SCALE NONE	
CAD FILE NO. SH3623rA.sch			SHEET 1 OF 5	
SIZE D			F:\DM\SH\SH003623\CUR_REV	
FSCM NO.			DWG NO. SH-003623-00	
REV			A	

DWG NO. SH-003623-00

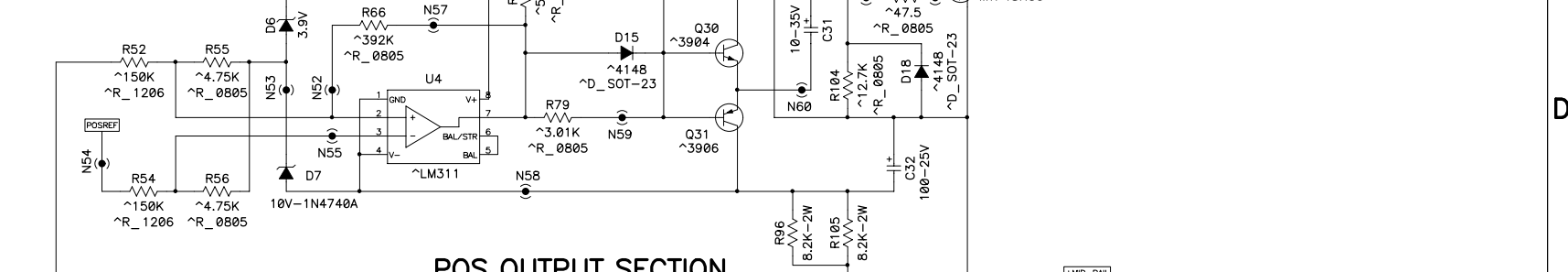
REV 1

THIS DOCUMENT CONTAINS PROPRIETARY INFORMATION WHICH IS THE PROPERTY OF QSC AUDIO PRODUCTS, THAT MAY NOT BE DISCLOSED, REPRODUCED OR USED WITHOUT EXPRESS WRITTEN CONSENT FROM QSC AUDIO PRODUCTS.

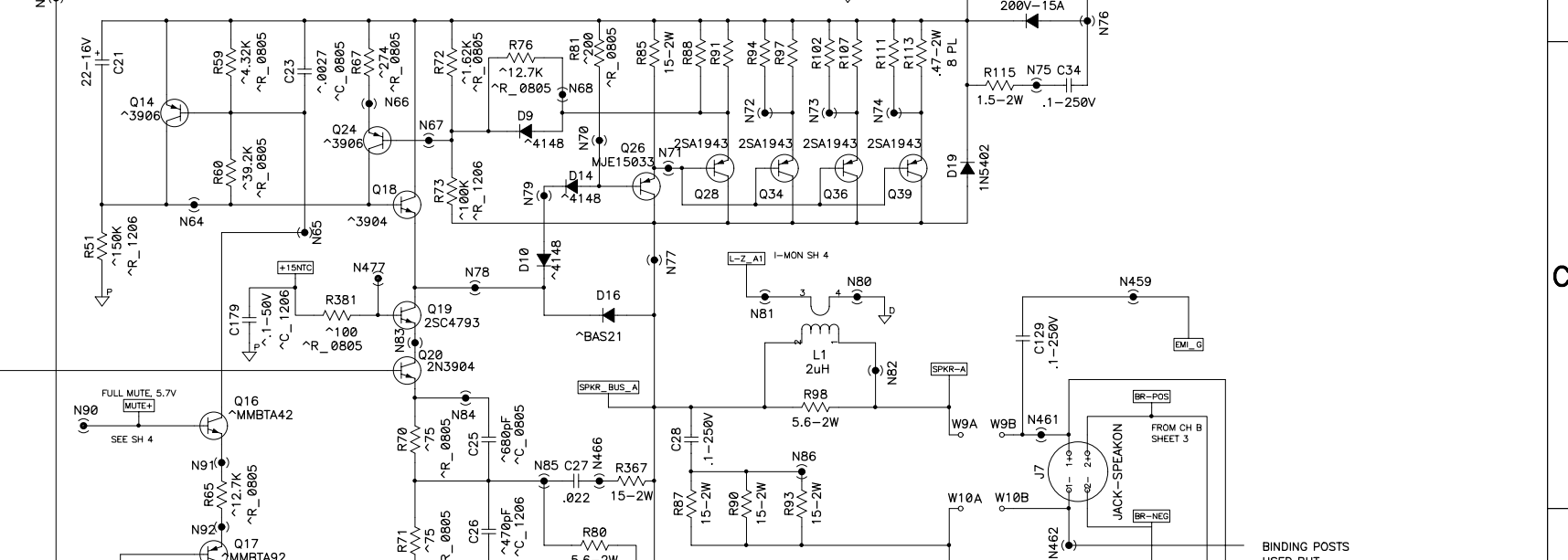
### INPUT AND FILTER SECTION, CH A



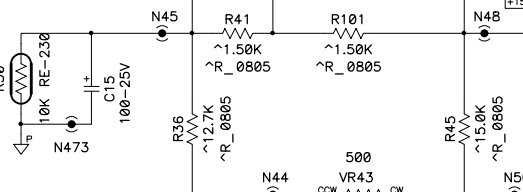
### POS STEP DRIVER



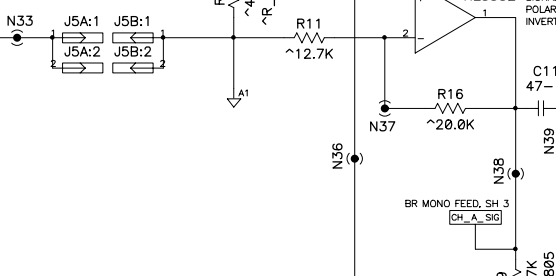
### POS OUTPUT SECTION



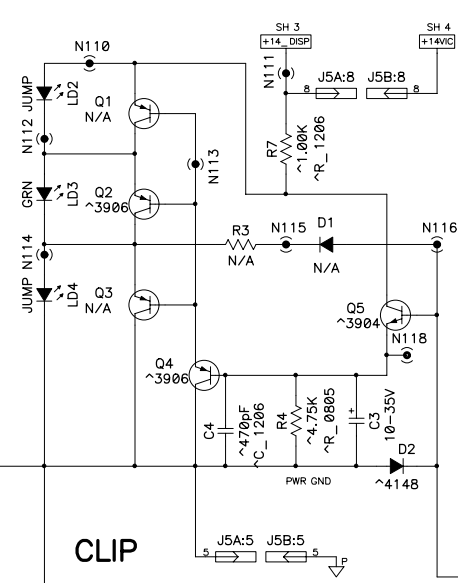
### THERMAL AND BIAS SENSING



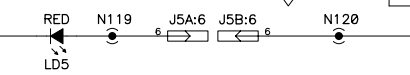
### GAIN



### LED-SIGNAL DISPLAY



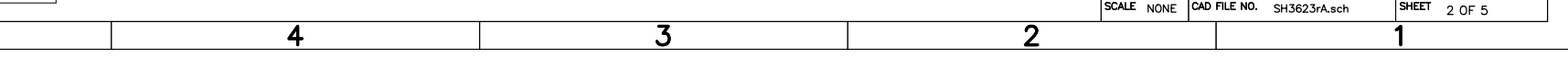
### CLIP



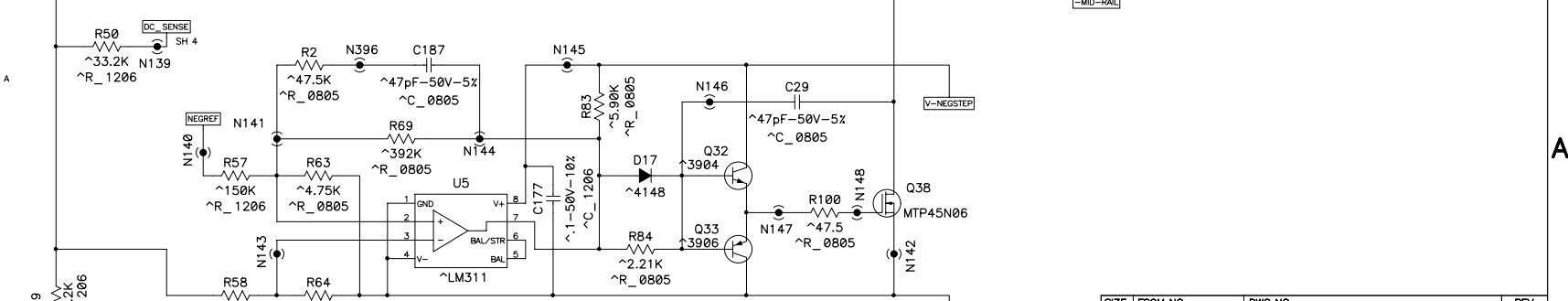
### CLIP-LIMIT PROCESSOR



### NEG STEP DRIVER

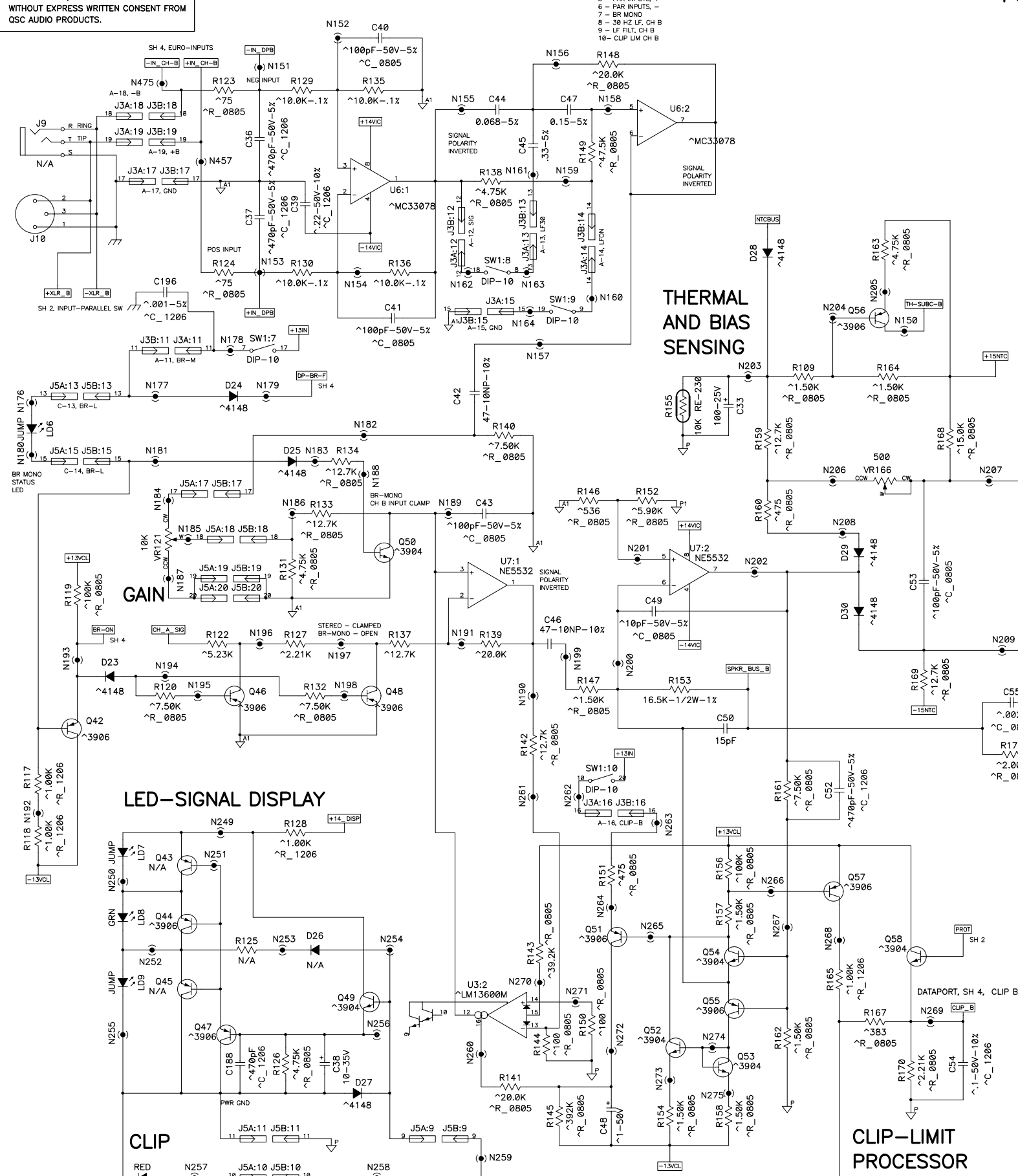


### NEG OUTPUT SECTION



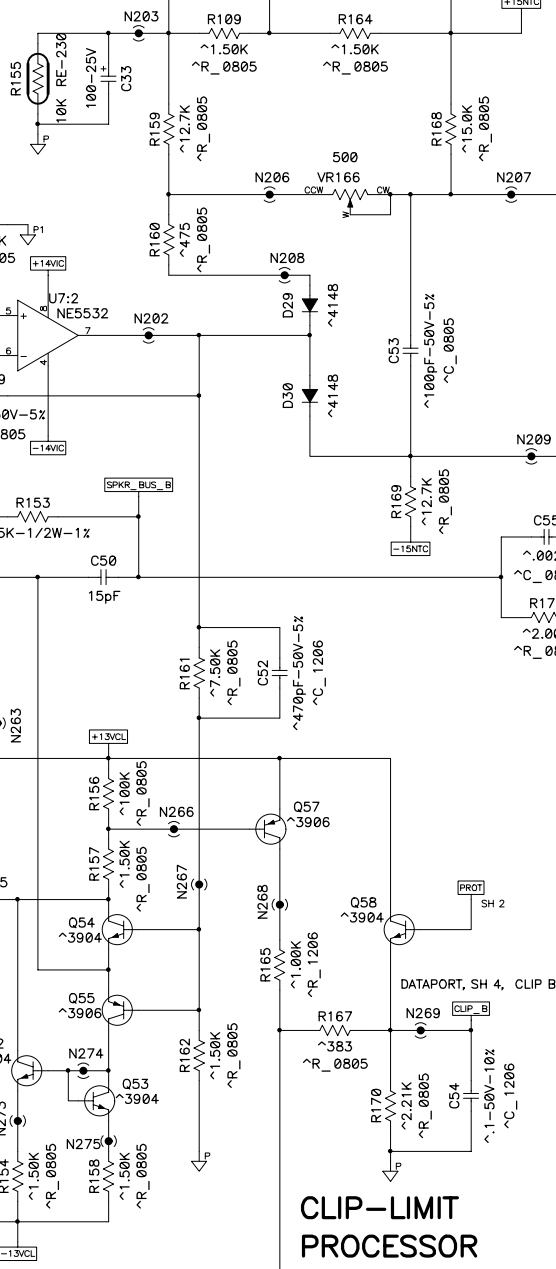
THIS DOCUMENT CONTAINS PROPRIETARY INFORMATION WHICH IS THE PROPERTY OF QSC AUDIO PRODUCTS, THAT MAY NOT BE DISCLOSED, REPRODUCED OR USED WITHOUT EXPRESS WRITTEN CONSENT FROM QSC AUDIO PRODUCTS.

### INPUT AND FILTER SECTION, CH B

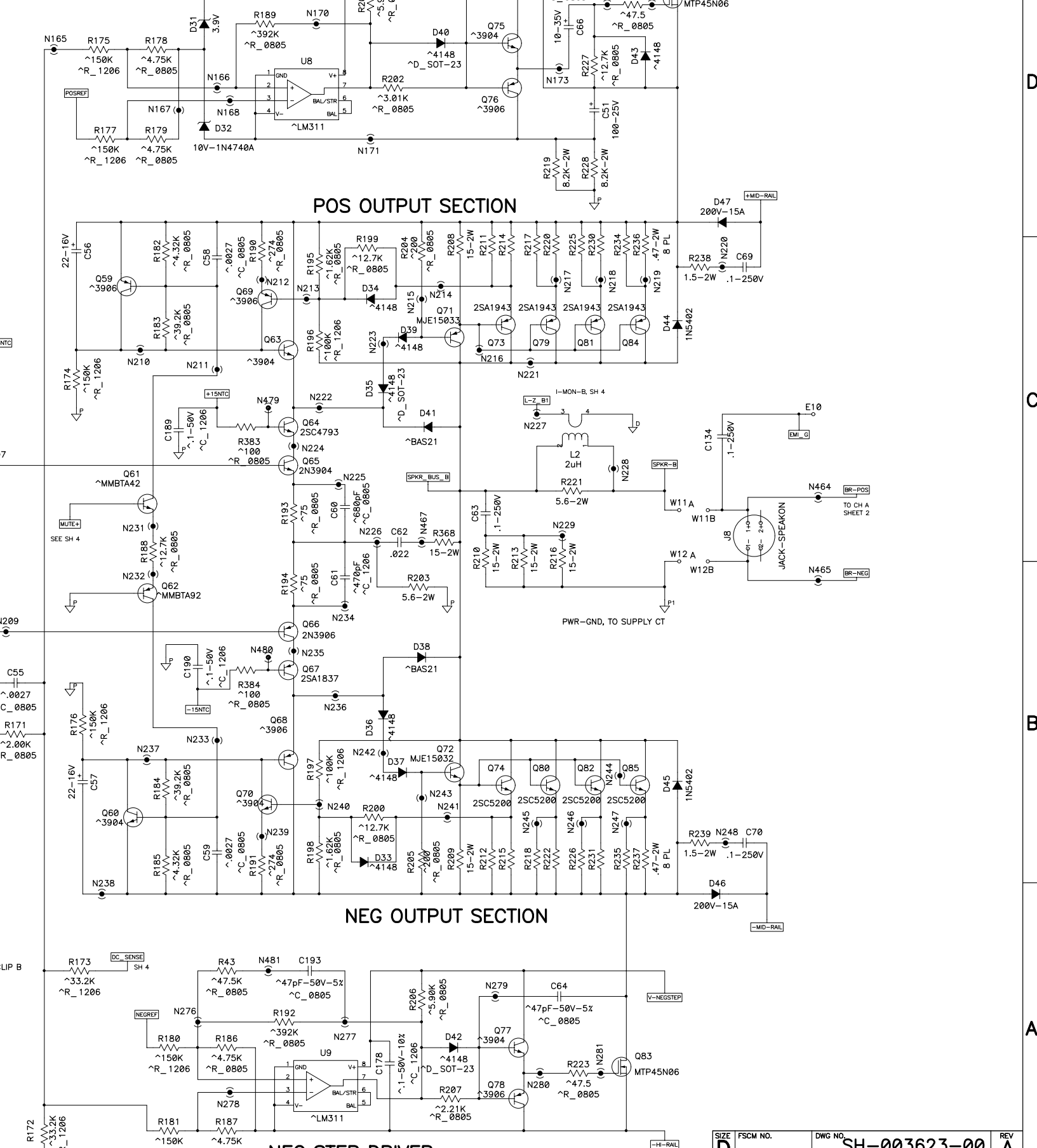


- DIP SWITCH TABLE, 10-POS
- 1 - CLIP LIM, CH-A
  - 2 - LF FILT, CH-A
  - 3 - 30 HZ LF, CH-A
  - 4 - PAR INPUT LED
  - 5 - PAR INPUTS, +
  - 6 - PAR INPUTS, -
  - 7 - BR MONO
  - 8 - 30 HZ LF, CH B
  - 9 - LF FILT, CH B
  - 10 - CLIP LIM CH B

### THERMAL AND BIAS SENSING



### POS STEP DRIVER



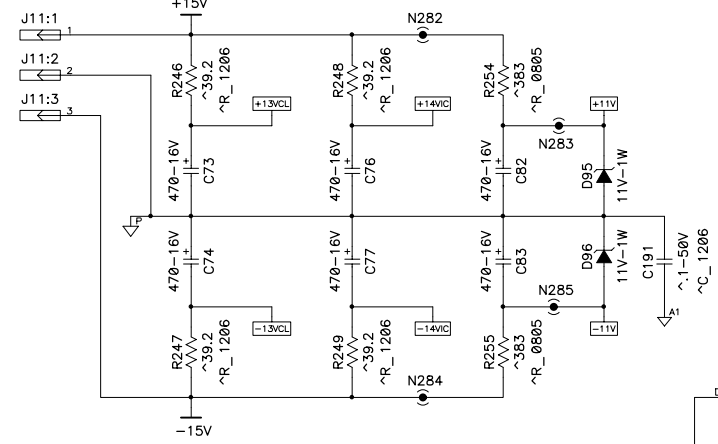
### POS OUTPUT SECTION

### NEG OUTPUT SECTION

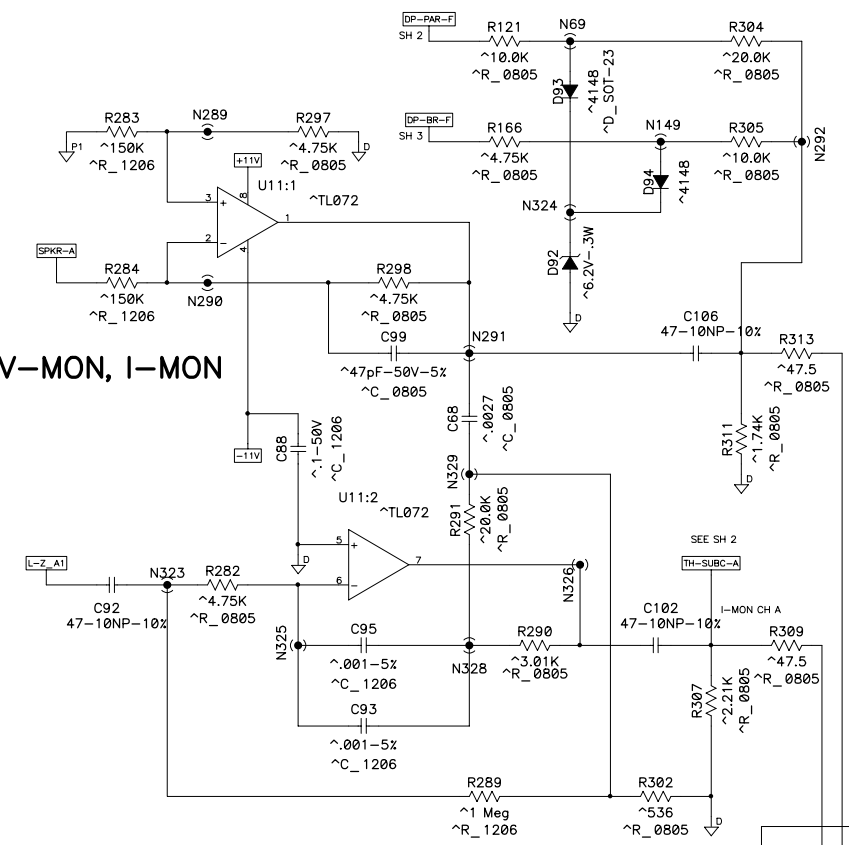
### NEG STEP DRIVER

THIS DOCUMENT CONTAINS PROPRIETARY INFORMATION WHICH IS THE PROPERTY OF QSC AUDIO PRODUCTS, THAT MAY NOT BE DISCLOSED, REPRODUCED OR USED WITHOUT EXPRESS WRITTEN CONSENT FROM QSC AUDIO PRODUCTS.

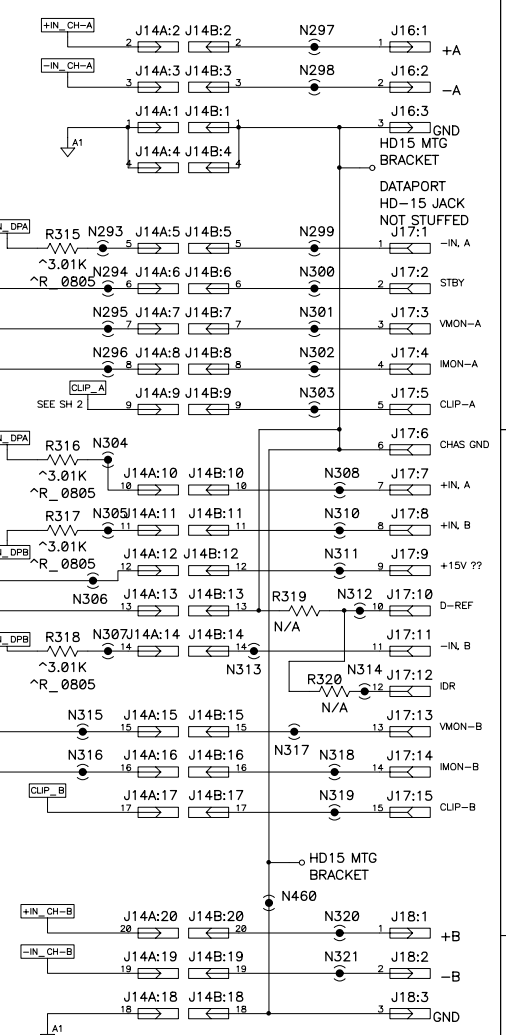
### OPAMP POWER SUPPLIES



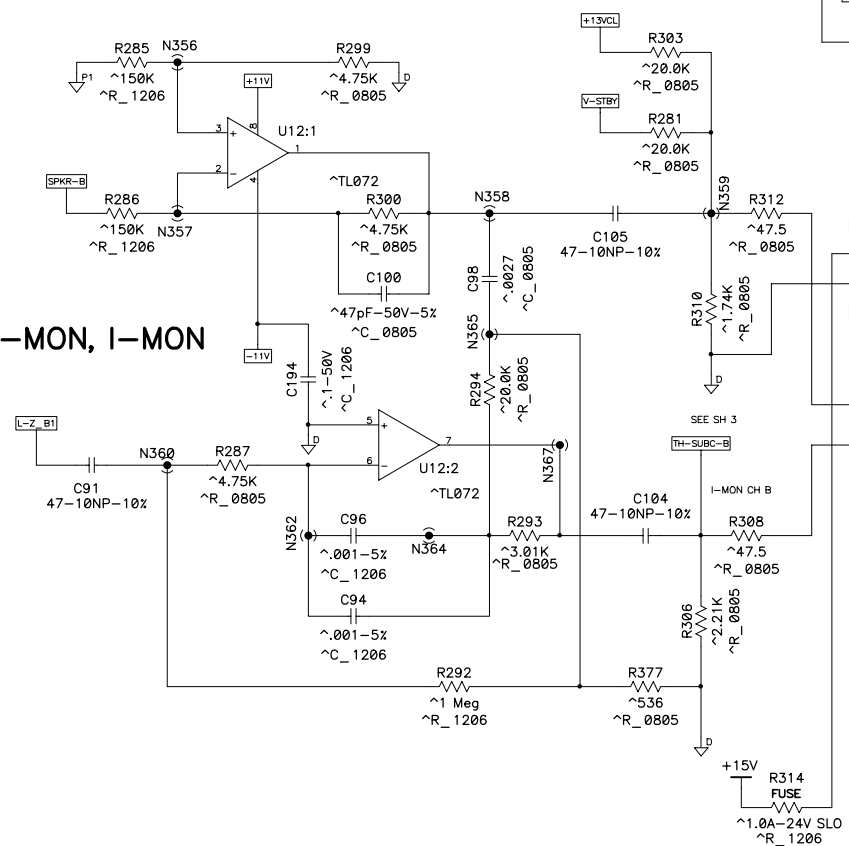
### CH A V-MON, I-MON



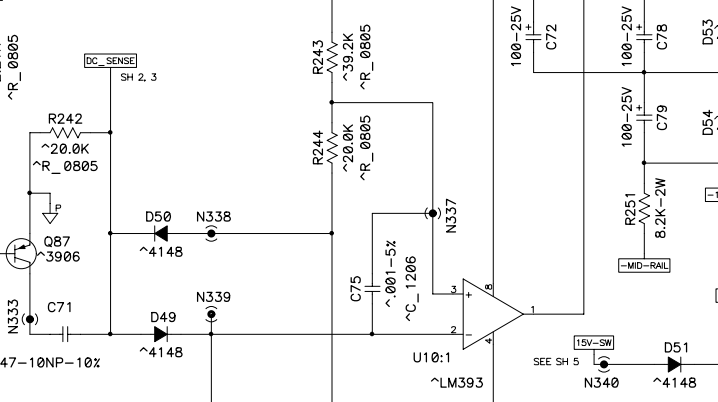
DATAPORT INPUT PCB IS NOT STUFFED



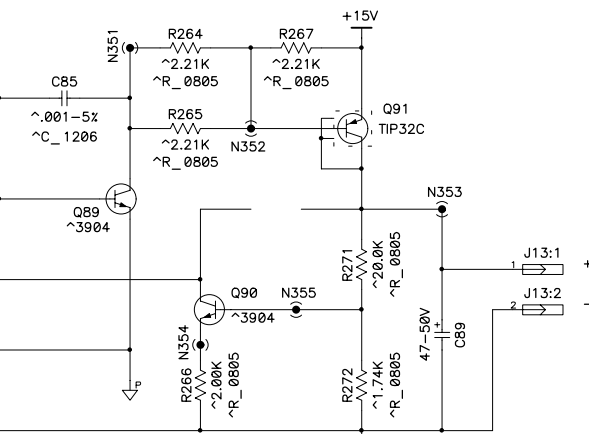
### CH B V-MON, I-MON



### DC MUTING

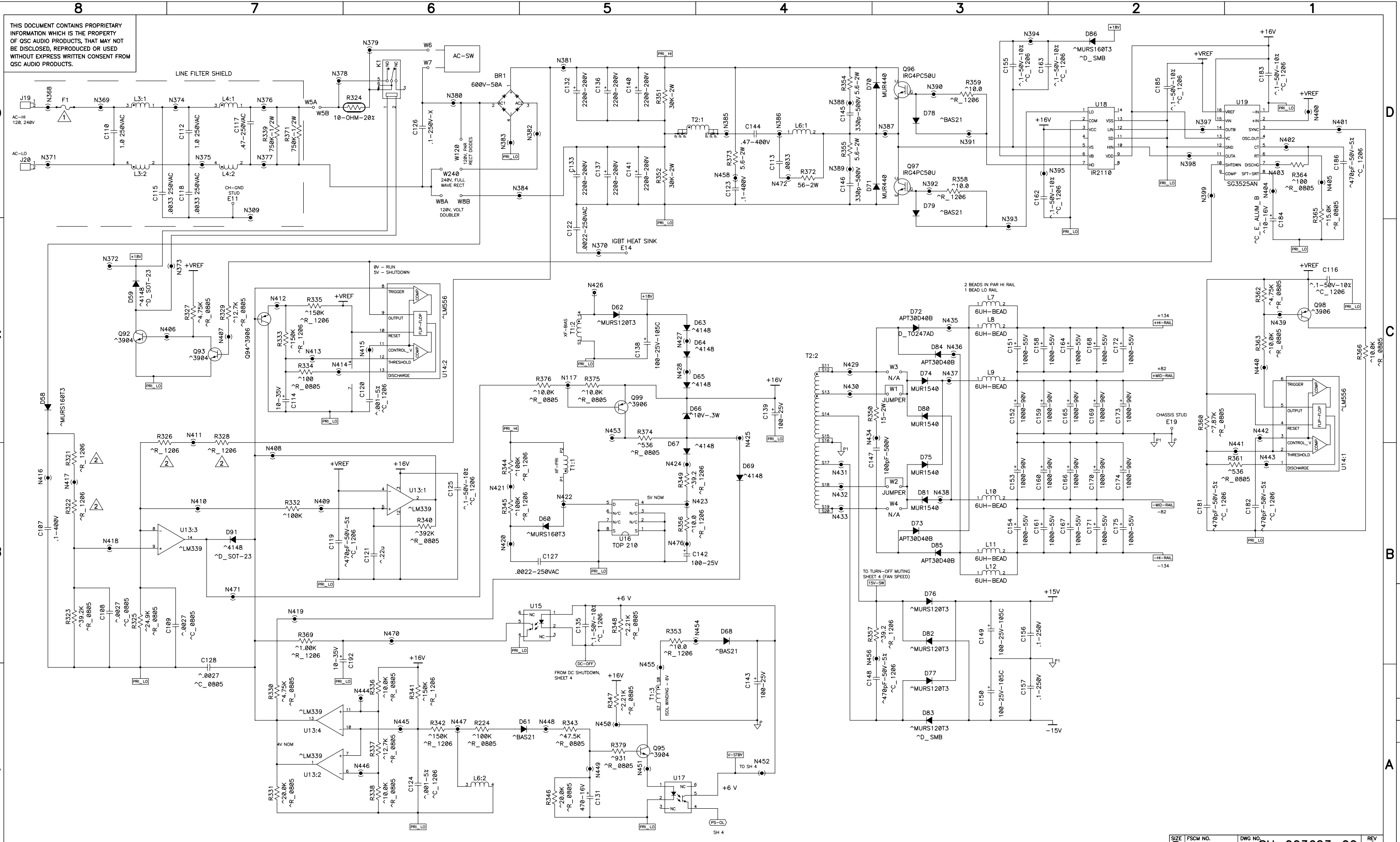


### FAN SPEED CONTROL



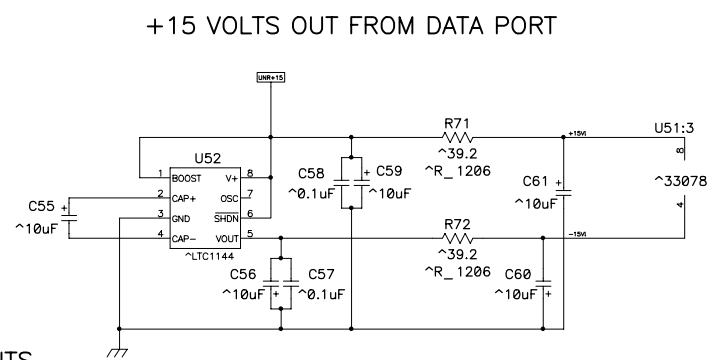
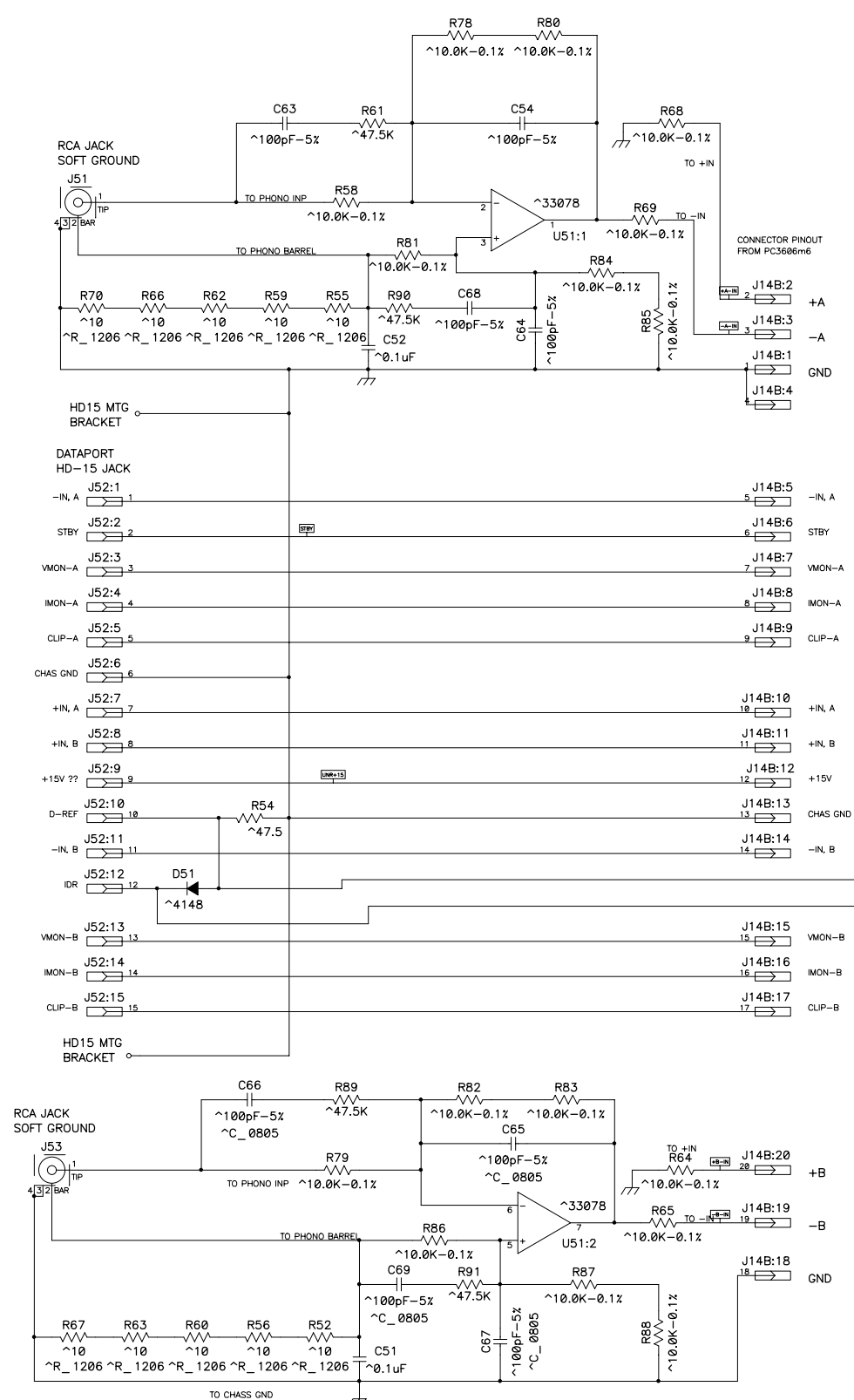
TO USE BLUE LED  
 R370 = 2.67K, 1206 - NEW VALUE  
 R253 = 47.5K  
 R266 = 2.00K  
 R272 = 1.74K  
 TO REDUCE "ON" BRIGHTNESS  
 R252 = 2.67K-1206, SAME NEW VALUE

THIS DOCUMENT CONTAINS PROPRIETARY INFORMATION WHICH IS THE PROPERTY OF QSC AUDIO PRODUCTS, THAT MAY NOT BE DISCLOSED, REPRODUCED OR USED WITHOUT EXPRESS WRITTEN CONSENT FROM QSC AUDIO PRODUCTS.

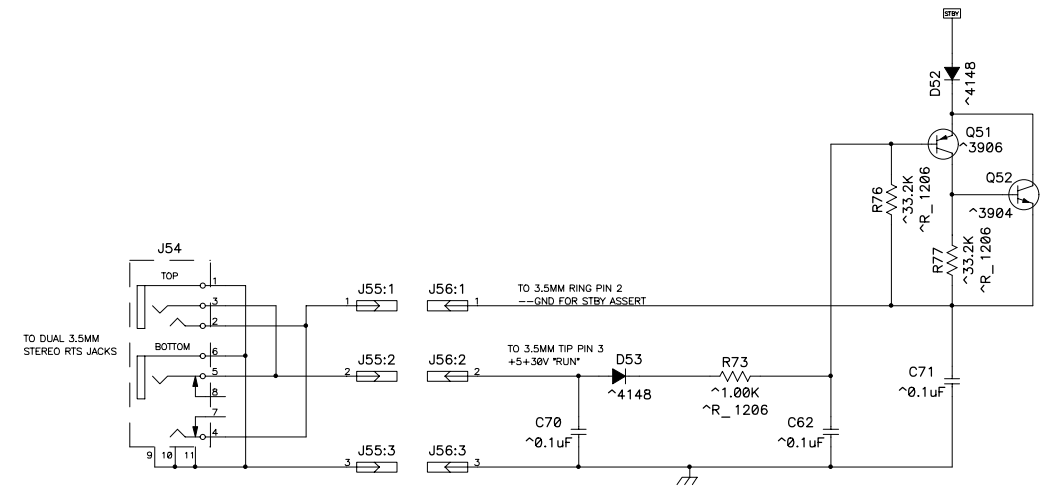
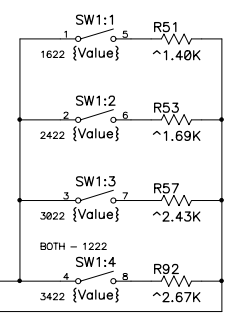


THIS DOCUMENT CONTAINS PROPRIETARY INFORMATION WHICH IS THE PROPERTY OF QSC AUDIO PRODUCTS, THAT MAY NOT BE DISCLOSED, REPRODUCED OR USED WITHOUT EXPRESS WRITTEN CONSENT FROM QSC AUDIO PRODUCTS.

REVISION				
REV	DESCRIPTION	EFF. DATE	CHK	APPROVED / DATE
A	PRODUCTION RELEASE PER ECO 5556 AA	12-06-02		



SWITCHABLE IDR, 5 VALUES, RESERVED FOR 5 POWER POINTS



- 8. ZENER TOLERANCE IS 5%
  - 7. SMT CAPACITOR VOLTAGE IS 50V
  - 6. SMT RESISTOR WATTAGE RATING IS 0.1W
  - 5. RESISTOR WATTAGE RATING IS 1/4W FOR RESISTOR WATTAGE RATINGS GREATER THAN 1W, TOLERANCE IS 5% FOR RESISTOR WATTAGE RATINGS LESS THAN 1/2W, TOLERANCE IS 1%
  - 4. THROUGH-HOLE FILM AND CERAMIC CAPACITOR TOLERANCE IS 10%, VOLTAGE IS 100V
  - 3. ELECTROLYTIC CAPACITOR TOLERANCE IS 20%
  - 2. COMPONENTS WITH VALUE PREFIXED WITH A "\*" REPRESENT SMT COMPONENTS.
  - 1. THIS DRAWING USED IN CONJUNCTION WITH ASSEMBLY WP-003624-XX.
- NOTES: UNLESS OTHERWISE SPECIFIED

QTY	ITEM NO.	PART NO.	DESCRIPTION	VENDOR
<b>PARTS LIST</b>				
UNLESS OTHERWISE SPECIFIED DIMENSIONS ARE IN INCHES. DIMENSIONS PER ANSI Y14.5-1982 TOLERANCES ARE:		CONTRACT NO.		
DECIMALS .xx ±	DECIMALS .xxx ±	ANGLES 0	APPROVALS	DATE
DEBURR EDGES .XXX R MAX		DRAWN A. ARANDA 5-24-02		
MATERIAL		CHECKED		
FINISH		ISSUED		
DO NOT SCALE DRAWING		CAD SEED FILE NO.		
PLOT DATE: Mon Nov 03, 2003		SCALE NONE		
SIZE D		FSCM NO.		
DWG NO. SH-003624-00		REV A		
CAD FILE NO. SH3624A.SCH		SHEET 1 OF 1		

**QSC AUDIO PRODUCTS, INC.**  
COSTA MESA, CALIFORNIA

**SCHEMATIC DIAGRAM**  
**INPUT, 2 CH SRA SERIES**

A REV 1 SH-003624-00 DWG NO.