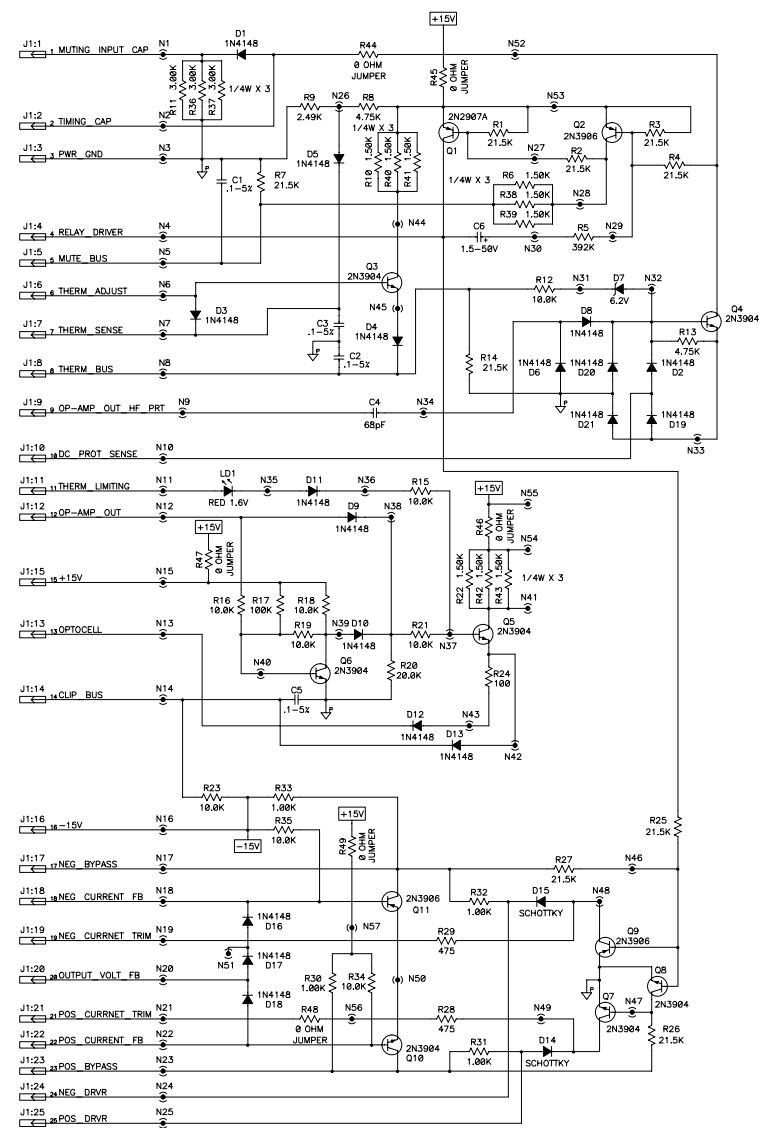


THIS DOCUMENT CONTAINS PROPRIETARY INFORMATION WHICH IS THE PROPERTY OF OSC AUDIO PRODUCTS, THAT MAY NOT BE DISCLOSED, REPRODUCED OR USED WITHOUT EXPRESS WRITTEN CONSENT FROM OSC AUDIO PRODUCTS.

| REVISION | | | | |
|----------|------------------------------------|-----------|-----|-----------------|
| REV | DESCRIPTION | EFF. DATE | CHK | APPROVED / DATE |
| 1 | ENG RELEASE | | | |
| 2 | ENG RELEASE 2-28-97 AC | | | |
| A | PRODUCTION RELEASE PER ECO 3434 AC | 6-13-97 | | TS 6-13-97 |
| A1 | OBSOLETE PER ECO 3547 WR | 10-24-97 | | CCB 10-17-97 |
| B | REINSTATE PER ECO 4517 MP | 2-23-01 | | |



3. ALL CAPACITORS 50V, TOLERANCE 10% .
 2. ALL RESISTORS ARE 1/10W, 100V, 1X.
 1. THIS DRAWING USED IN CONJUNCTION WITH ASSEMBLY WP-00010-XX.
 NOTES: UNLESS OTHERWISE SPECIFIED

| QTY | ITEM NO. | PART NO. | DESCRIPTION | VENDOR |
|-----|--------------|----------|--|--------|
| | WP-004202-XX | EX 4000 | UNLESS OTHERWISE SPECIFIED DIMENSIONS ARE IN INCHES. TOLERANCES ARE: | |
| | WP-004181-10 | EX 1250 | DECIMALS DECIMALS ANGLES | |
| | WP-004181-00 | EX 1600 | .XX ± .XXX ± 0 | |
| | WP-002502-00 | EX 2500 | DECIMALS DECIMALS ANGLES | |
| | | | FINISH | |
| | | | DO NOT SCALE DRAWING | |

| PARTS LIST | | CONTRACT NO. | |
|------------|--|--------------------------------|--|
| | | OSC AUDIO PRODUCTS, INC. | |
| | | COSTA MESA, CALIFORNIA | |
| | | SCHEMATIC DIAGRAM | |
| | | SMT HOUSEKEEPING IC 10 | |
| | | DRAWN: R. BECKER 2-4-97 | |
| | | CHECKED: W. RULAND 6-16-97 | |
| | | ISSUED: T. SHOOK 6-13-97 | |
| | | CAD SEED FILE NO. 10410_01.sch | |
| | | SCALE: NONE | |
| | | SHEET 1 OF 1 | |

SH-00010-00