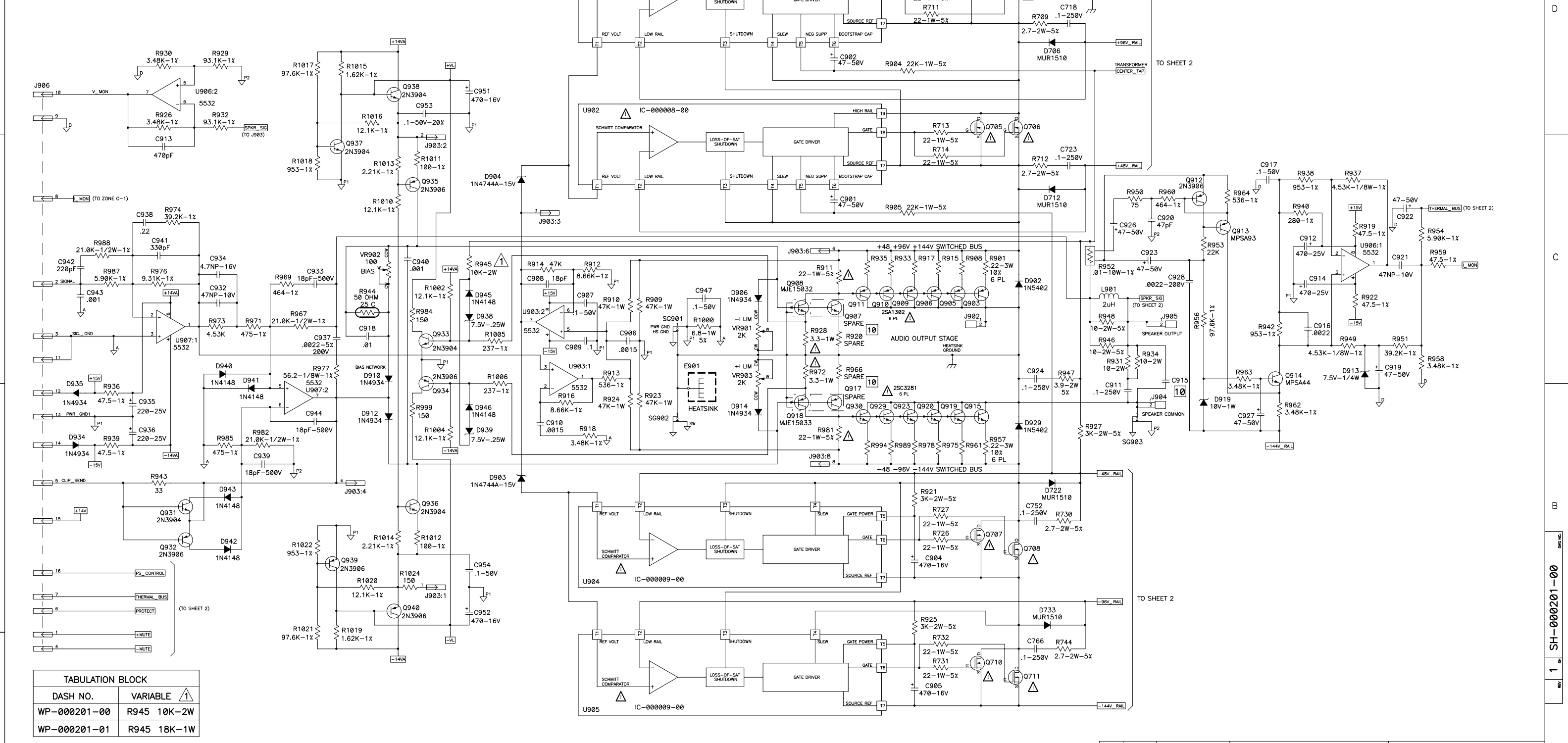


THIS DOCUMENT CONTAINS PROPRIETARY INFORMATION WHICH IS THE PROPERTY OF QSC AUDIO PRODUCTS. THAT MAY NOT BE DISCLOSED, REPRODUCED OR USED WITHOUT EXPRESS WRITTEN CONSENT FROM QSC AUDIO PRODUCTS.

| REVISION |             |           |     |                 |
|----------|-------------|-----------|-----|-----------------|
| REV      | DESCRIPTION | EFF. DATE | CHK | APPROVED / DATE |
|          |             |           |     |                 |
|          |             |           |     |                 |
|          |             |           |     |                 |
|          |             |           |     |                 |



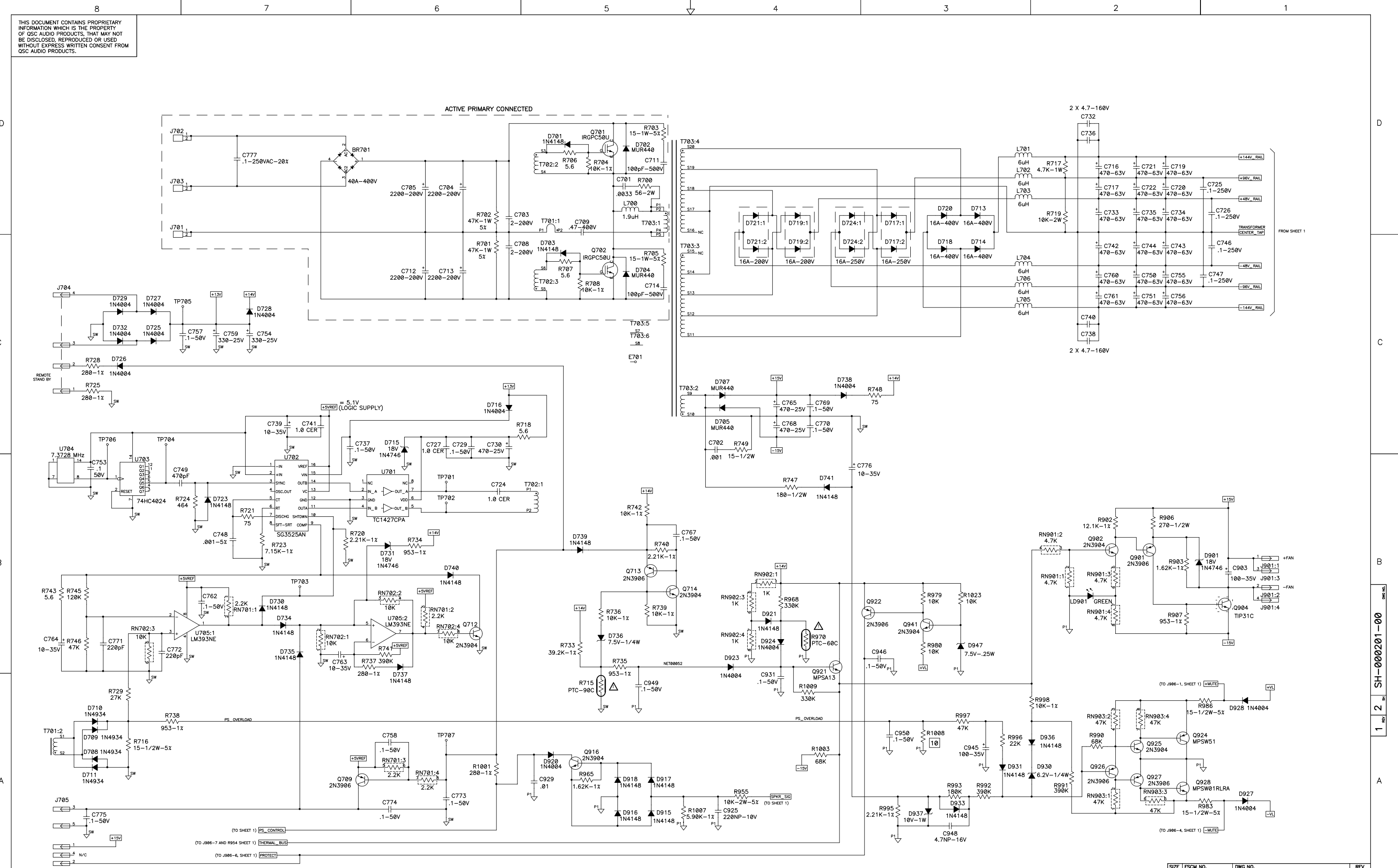
| TABULATION BLOCK |             |
|------------------|-------------|
| DASH NO.         | VARIABLE    |
| WP-000201-00     | R945 10K-2W |
| WP-000201-01     | R945 18K-1W |

5. Q703-708, 710, 711 ARE SWITCHING FETS, QSC P/N QD-000031-QD, 125W, 60V MINIMUM, ON-RESISTANCE 0.030 OHMS MAX.
  4. R715, 970 ARE POSITIVE TEMPERATURE COEFFICIENT RESISTORS MOUNTED TO HEAT SINK. RESISTANCE 100 OHM COLD, RISING AT 55C. QSC P/N RE-000006-VP.
  3. ALL CAPACITORS 100V. TOLERANCE 20% FOR ELECTROLYTIC TYPES, 10% ON OTHER TYPES.
  2. ALL RESISTORS ARE 1/4-WATT, 5%.
  1. THIS DRAWING USED IN CONJUNCTION WITH PCB ASSEMBLY WP-000201-00.
- NOTES: UNLESS OTHERWISE SPECIFIED

- 10 COMPONENTS Q907, Q917, R920, R966, R1008, AND C915 ARE SPARES AND ARE NOT LISTED IN THE BILL OF MATERIALS.
9. TO-220 DIODES D713, 714 AND 724 ARE SELECTED FOR PEAK REVERSE VOLTAGE GREATER THAN 250V.
8. PARTS ENCLOSED WITHIN DOTTED OUTLINE HAVE VOLTAGES GREATER THAN 42V.
7. PARTS MARKED WITH TRIANGLE  $\Delta$  MUST BE REPLACED WITH EXACT TYPE ONLY.
6. ZENERS D736, D938, D939, D947 AND D913, MARKED 7.5V, LOW LEAKAGE, QSC P/N QD-0007.5-ZT. ZENER D930, MARKED 6.2V, LOW LEAKAGE, QSC P/N QD-000024-QD.

| QTY   | ITEM NO. | PART NO. | DESCRIPTION                 | VENDOR |
|---|----------|----------|-----------------------------|--------|
| PARTS LIST  |          |          |                             |        |
| UNLESS OTHERWISE SPECIFIED DIMENSIONS ARE IN INCHES. DIMENSIONS PER ANSI Y14.5-1982 TOLERANCES ARE: |          |          | CONTRACT NO.                |        |
| DECIMALS  | DECIMALS | ANGLES   | APPROVALS                   |        |
| .XX ±   | .XXX ±   | 0        | DATE                        |        |
| DEBURR EDGES .XXX R MAX MATERIAL  |          |          | DRAWN A. ARANDA             |        |
| FINISH  |          |          | CHECKED                     |        |
| ISSUED  |          |          | 2-19-97                     |        |
| CAD SEED FILE NO.   |          |          | SIZE FSCM NO.               |        |
| SCALE NONE  |          |          | DWG NO. SH-000201-00        |        |
| APPLICATION DO NOT SCALE DRAWING  |          |          | REV                         |        |
| NEXT ASSY USED ON   |          |          | SHEET 1 OF 2                |        |
| PLOT DATE: Thu May 04, 2000   |          |          | P:\TANGPROV\PL\2.4MB\MAIN_1 |        |

THIS DOCUMENT CONTAINS PROPRIETARY INFORMATION WHICH IS THE PROPERTY OF QSC AUDIO PRODUCTS. THAT MAY NOT BE DISCLOSED, REPRODUCED OR USED WITHOUT EXPRESS WRITTEN CONSENT FROM QSC AUDIO PRODUCTS.

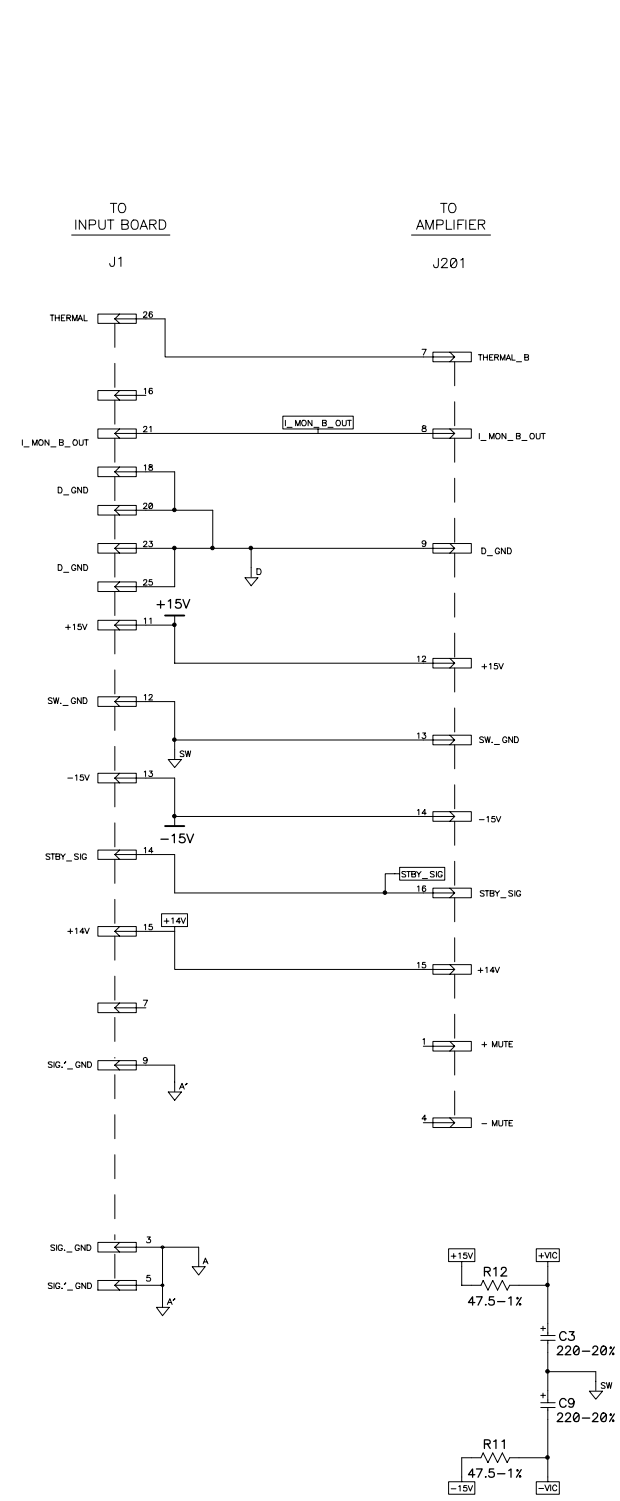


NOTES: UNLESS OTHERWISE SPECIFIED

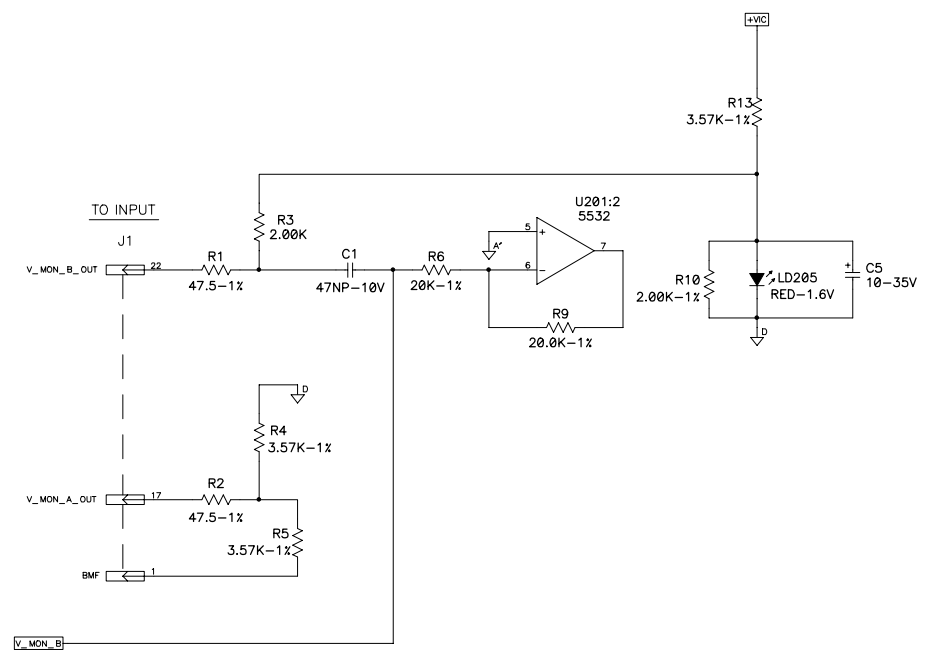
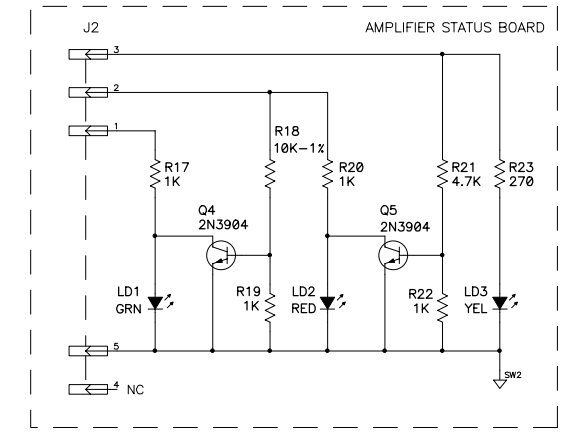
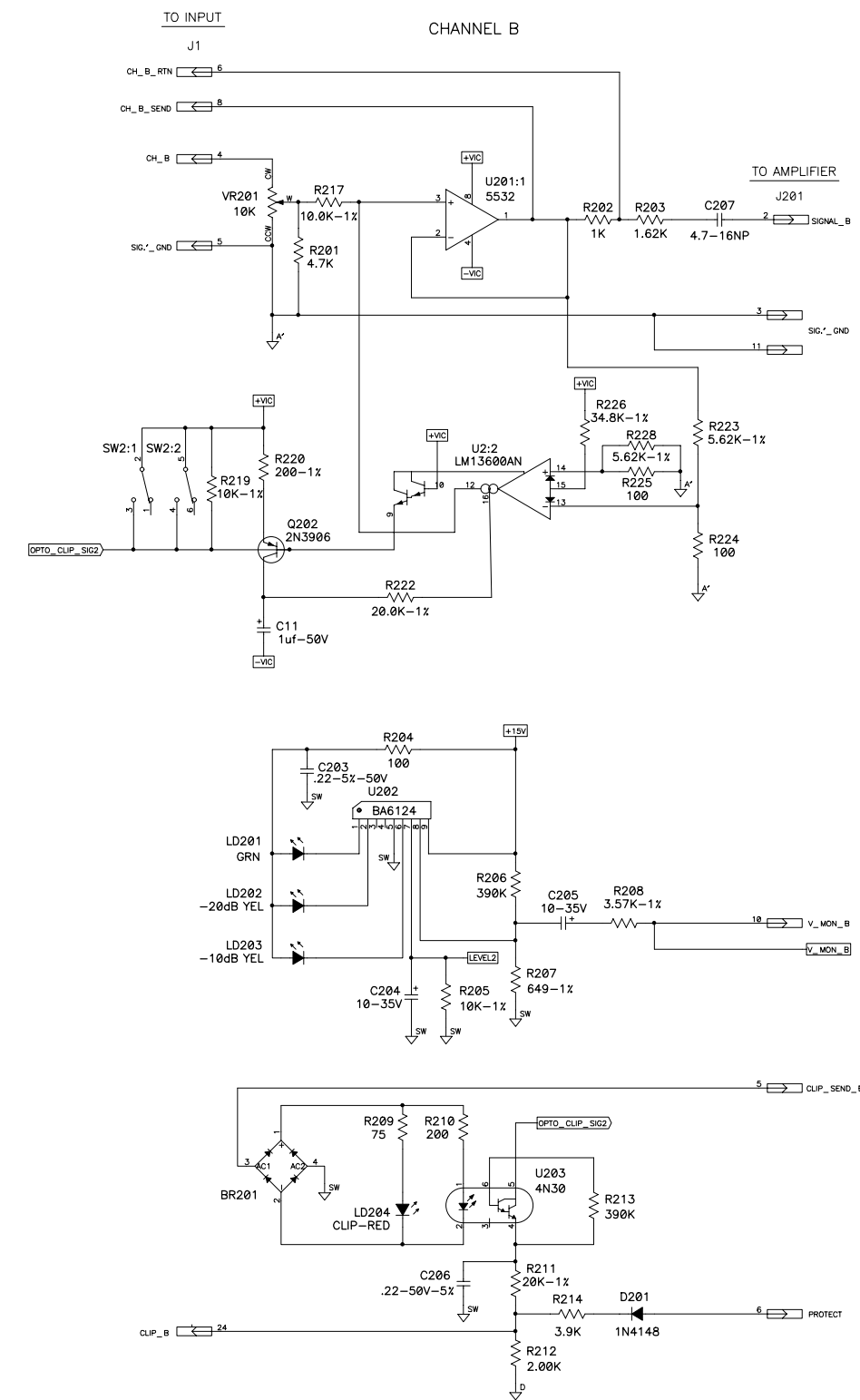
|            |              |                  |        |
|------------|--------------|------------------|--------|
| SIZE       | FSCM NO.     | DWG NO.          | REV    |
| D          |              | SH-000201-00     | 1      |
| SCALE      | CAD FILE NO. | SHEET            | 2 OF 2 |
|            | Sh201-1.sch  |                  |        |
| PLOT DATE: |              | Thu May 04, 2000 |        |

THIS DOCUMENT CONTAINS PROPRIETARY INFORMATION WHICH IS THE PROPERTY OF QSC AUDIO PRODUCTS. THAT MAY NOT BE DISCLOSED, REPRODUCED OR USED WITHOUT EXPRESS WRITTEN CONSENT FROM QSC AUDIO PRODUCTS.

| REVISION |             |           |     |                 |
|----------|-------------|-----------|-----|-----------------|
| REV      | DESCRIPTION | EFF. DATE | CHK | APPROVED / DATE |
|          |             |           |     |                 |
|          |             |           |     |                 |
|          |             |           |     |                 |
|          |             |           |     |                 |



- PARTS IN COMMON WITH BOTH CHANNELS NUMBERED 1-99.
  - CH 1 COMPONENTS NUMBERED 101-199.
  - CH 2 COMPONENTS NUMBERED 201-299.
  - CAPACITORS ARE IN MICROFARADS, 25V MIN.
  - RESISTORS ARE IN OHMS, 1/4W, 5%.
  - THIS DRAWING USED IN CONJUNCTION WITH ASSEMBLY WP-000202-00 AND FABRICATION DRAWING PC-000149-00.
- NOTES: UNLESS OTHERWISE SPECIFIED



| QTY   | ITEM NO. | PART NO.             | DESCRIPTION                                  | VENDOR           |
|---|----------|----------------------|--|------------------|
| PARTS LIST  |          |                      |  |                  |
| UNLESS OTHERWISE SPECIFIED DIMENSIONS ARE IN INCHES. DIMENSIONS PER ANSI Y14.5-1982 TOLERANCES ARE: |          |                      | CONTRACT NO.                                 |                  |
| DECIMALS  | DECIMALS | ANGLES               | APPROVALS                                    | DATE             |
| .XX ±   | .XXX ±   | 0                    | R. BECKER                                    | 3-12-96          |
| DEBURR EDGES .XXX R MAX MATERIAL  |          |                      | CHECKED                                      |                  |
| FINISH  |          |                      | ISSUED                                       |                  |
| WP-000202-00  | PL 2.4MB |                      | CAD SEED FILE NO. SH0149-B.SCH               | Thu May 04, 2000 |
| NEXT ASSY   |          | USED ON              | CAD FILE NO. P:\TANGOPRO\PL\PL2.2MB \DISPLAY |                  |
| APPLICATION   |          | DO NOT SCALE DRAWING | SCALE NONE                                   |                  |

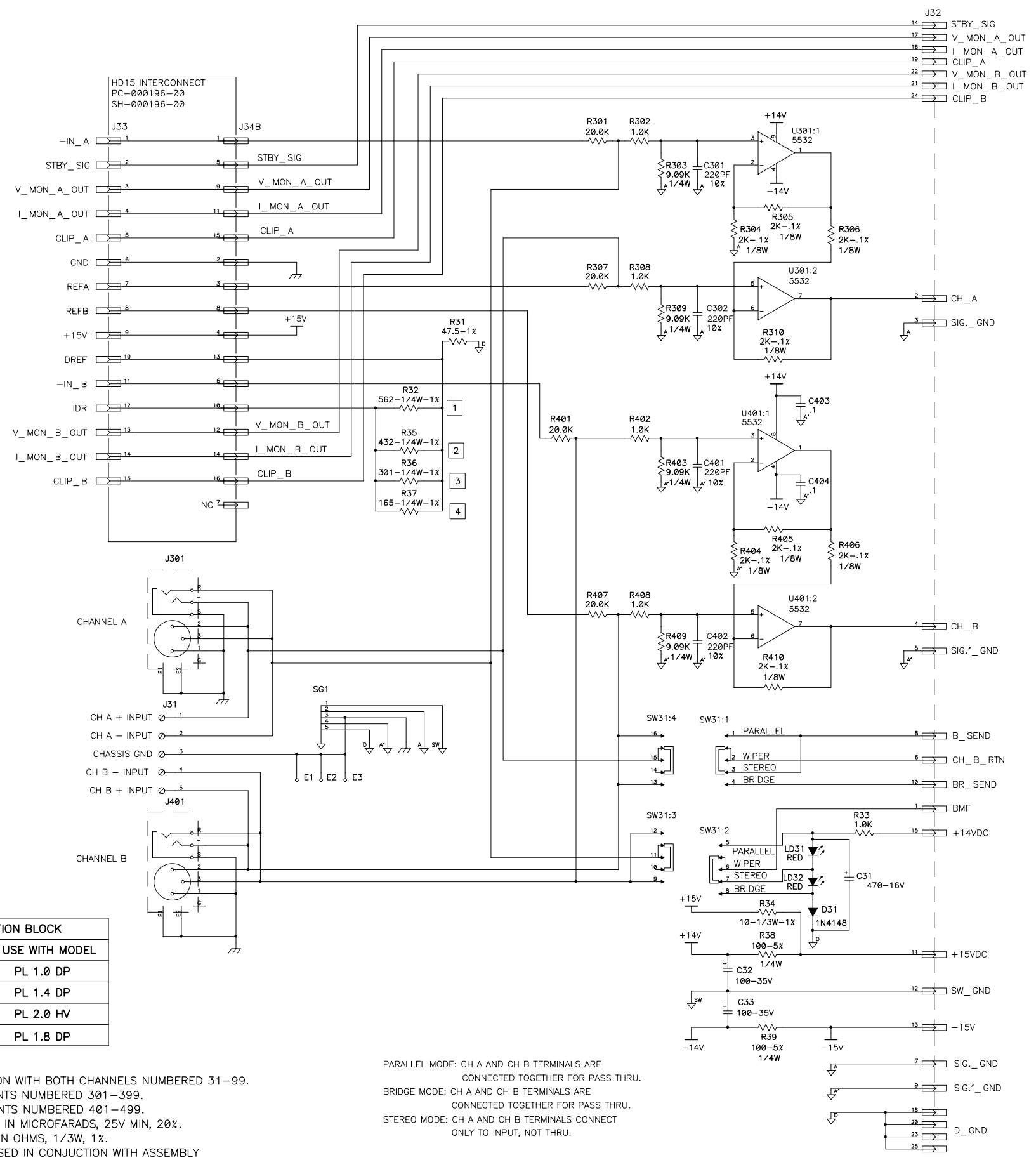
**QSC** AUDIO PRODUCTS, INC.  
COSTA MESA, CALIFORNIA

SCHEMATIC DIAGRAM  
DISPLAY, POWERLIGHT 2.4MB

SIZE **D** FSCM NO. SH-000202-00 DWG NO. SH-000202-00 REV 1

SH-000202-00

THIS DOCUMENT CONTAINS PROPRIETARY INFORMATION WHICH IS THE PROPERTY OF QSC AUDIO PRODUCTS. THAT MAY NOT BE DISCLOSED, REPRODUCED OR USED WITHOUT EXPRESS WRITTEN CONSENT FROM QSC AUDIO PRODUCTS.



| TABULATION BLOCK |                |           |
|------------------|----------------|-----------|
| REF. NO.         | USE WITH MODEL |           |
| 1                | R32            | PL 1.0 DP |
| 2                | R35            | PL 1.4 DP |
| 3                | R36            | PL 2.0 HV |
| 4                | R37            | PL 1.8 DP |

4. PARTS IN COMMON WITH BOTH CHANNELS NUMBERED 31-99.  
 CH A COMPONENTS NUMBERED 301-399.  
 CH B COMPONENTS NUMBERED 401-499.  
 3. CAPACITORS ARE IN MICROFARADS, 25V MIN, 20%.  
 2. RESISTORS ARE IN OHMS, 1/3W, 1%.  
 1. THIS DRAWING USED IN CONJUNCTION WITH ASSEMBLY  
 WP-000148-00 AND FABRICATION DRAWING PC-000148-00.  
 NOTES: UNLESS OTHERWISE SPECIFIED

PARALLEL MODE: CH A AND CH B TERMINALS ARE CONNECTED TOGETHER FOR PASS THRU.  
 BRIDGE MODE: CH A AND CH B TERMINALS ARE CONNECTED TOGETHER FOR PASS THRU.  
 STEREO MODE: CH A AND CH B TERMINALS CONNECT ONLY TO INPUT, NOT THRU.

| QTY   | ITEM NO. | PART NO. | DESCRIPTION          | VENDOR |
|---|----------|----------|----------------------|--------|
| PARTS LIST  |          |          |                      |        |
| UNLESS OTHERWISE SPECIFIED DIMENSIONS ARE IN INCHES. DIMENSIONS PER ANSI Y14.5-1982 TOLERANCES ARE:<br>DECIMALS DECIMALS ANGLES<br>.xx ± .xxx ± 0 |          |          | CONTRACT NO.         |        |
| DRAWN A. CERRILLO   |          |          | DATE 2-28-96         |        |
| CHECKED W. RULAND   |          |          | DATE 8-21-96         |        |
| ISSUED TIM SHOOK  |          |          | DATE 8-22-96         |        |
| CAD SEED FILE NO. SH0148-2.SCH  |          |          | SCALE NONE           |        |
| APPLICATION   |          |          | DO NOT SCALE DRAWING |        |

**QSC AUDIO PRODUCTS, INC.**  
 COSTA MESA, CALIFORNIA

**SCHEMATIC DIAGRAM**  
 INPUT, POWERLIGHT 1.8 DP

SH-000148-00

SH-000148-00

A

SHEET 1 OF 1