

THIS DOCUMENT CONTAINS PROPRIETARY INFORMATION WHICH IS THE PROPERTY OF QSC AUDIO PRODUCTS, THAT MAY NOT BE DISCLOSED, REPRODUCED OR USED WITHOUT EXPRESS WRITTEN CONSENT FROM QSC AUDIO PRODUCTS.

REVISIONS				
ZONE	REV	DESCRIPTION	DATE	APPROVED
B8		PRODUCTION RELEASE PER ECO 1272 RDS/PO	11-4-91	
B4		REVISED PER ECO 2009	6.	

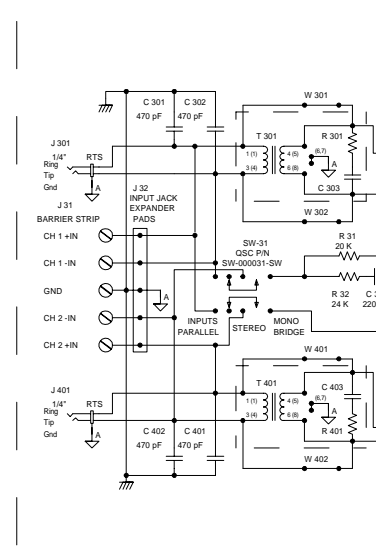
SCHEMATIC, 2-CH POWER AMPLIFIER, MX-1000-A
 REV B3, 11-4-91, PER PC-001510-00 REV B, PC-001511-00 REV B, PC-001512-00 REV B
 DOC NO. SH-001010-00 FILE SH-1010B.FCD, SEED FILE SH1010B3.FCD

PART NUMBERING SCHEDULE FOR PCBs USED IN MX-1000-A:

PCB NUMBER	DESCRIPTION	CH 1 PARTS	CH 2 PARTS	PARTS IN COMMON
PC-001511-00	DISPLAY PCB	101-199	201-299	10-29
PC-001512-00	INPUT PCB	301-399	401-499	31-49
PC-001513-00	AMP PCB	501-599	601-699	51-69
PC-004103-00	AC PCB	901-UP (CH 1, CH2 ON SAME PCB)		

- SCHEDULE OF TEST POINTS: J 502-1 ETC
- CH A CH B
- J 502-1 J 602-1 NEGATIVE LIMITING VOLTAGE
 - J 502-2 J 602-2 POSITIVE LIMITING VOLTAGE
 - J 502-3 J 602-3 NOT USED
 - J 502-4 J 602-4 AMPLIFIER LOOP OPAMP OUTPUT
 - J 502-5 J 602-5 SWITCHED POS AMPLIFIER RAIL—CAUTION, HIGH VOLTAGE
 - J 502-6 J 602-6 SWITCHED NEG AMPLIFIER RAIL—CAUTION, HIGH VOLTAGE

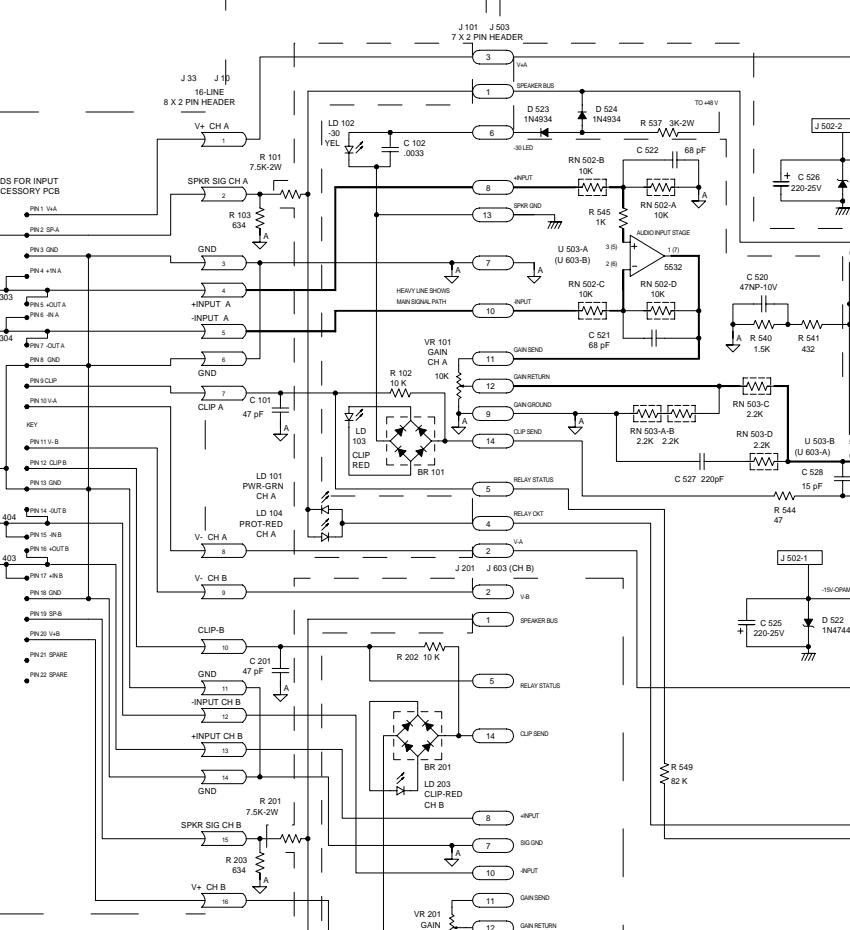
PC-001512-00 MX-A SERIES INPUT PCB



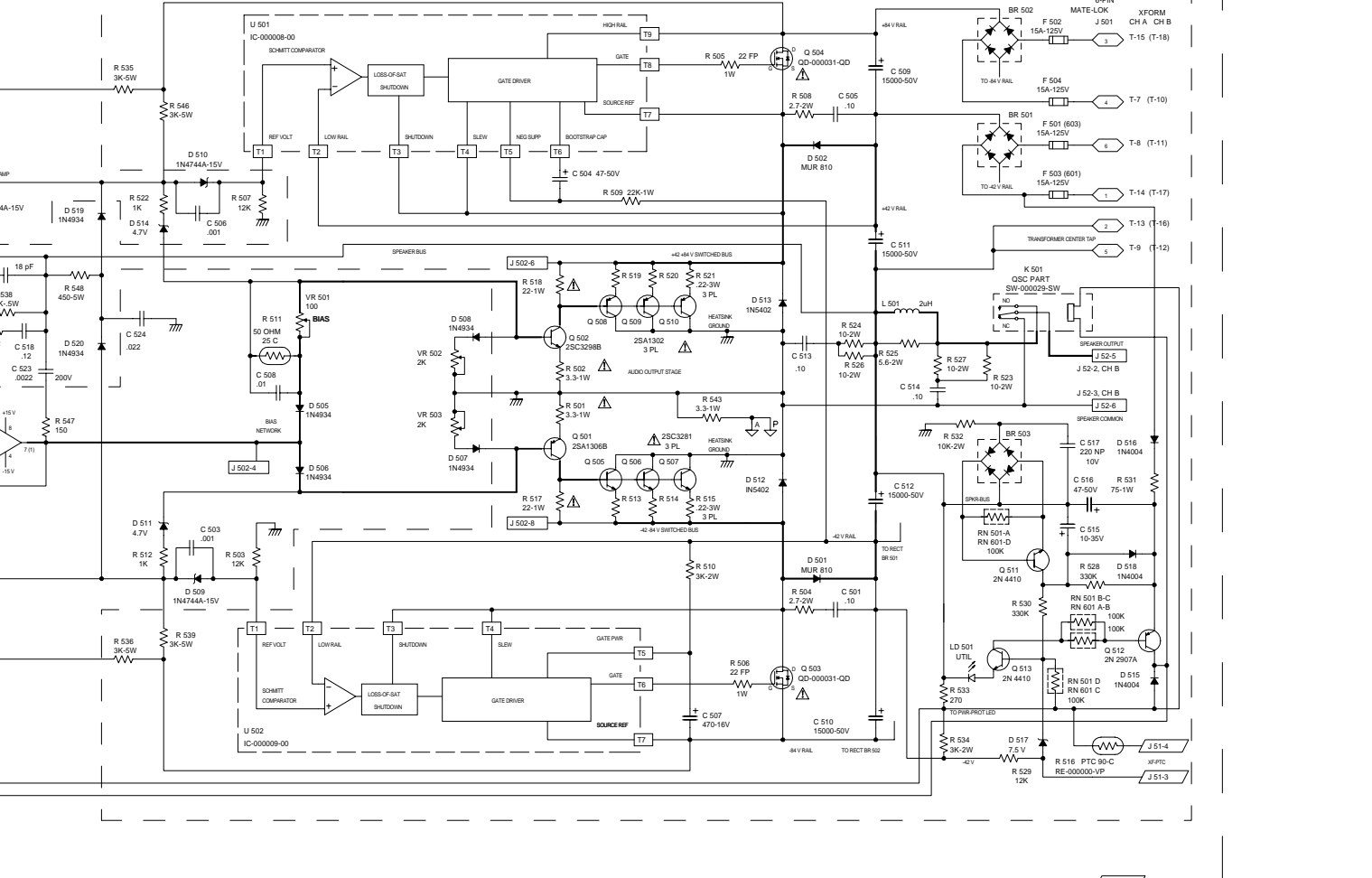
- INPUT PCB NOTES**
- BOARD SHIPPED WITH W 301-304, W 401-404 MOUNTED AS SHOWN.
 - PARTS WITHIN DOTTED OUTLINE FOR USER MODIFICATION. SEE MANUAL.
 - TRANSFORMER PIN NUMBERS: 1-6 TRIAD TY-144P (1-8 JENSEN JT 8043)

REV NOTES, REMOVE FOR RELEASE PRINTS.

PC-001511-00 MX-A SERIES DISPLAY PCB



- LAST USED REFERENCE DESIGNATORS**
- | CHANNEL A-B | BRIDGE RECTIFIER | BR 503-603 |
|-------------|--------------------|------------|
| | CAPACITOR | C 506-606 |
| | DIODE | D 524-624 |
| | JUMPER | J 503-603 |
| | INDUCTOR | L 501-601 |
| | LED | LD 501-601 |
| | TRANSISTOR | Q 514-614 |
| | RESISTOR | R 549-649 |
| | RESISTOR NETWORK | RN 503-603 |
| | INTEGRATED CIRCUIT | U 503-603 |
| | VARIABLE RESISTOR | VR 503-603 |



- CH B IS LAID OUT ON RIGHT SIDE OF PC-001510-00
 CIRCUIT SAME AS CHANNEL A ABOVE.
 SEE PART NUMBERING SCHEDULE.
- CH B TRANSFORMER PTC J 512
 J 51-1
 J 51-2
 J 51-3
 J 51-4
 J 51-5
 J 51-6
 J 51-7
 J 51-8
 J 51-9
 J 51-10
 J 51-11
 J 51-12
 J 51-13
 J 51-14
 J 51-15
 J 51-16
 J 51-17
 J 51-18
 J 51-19
 J 51-20
- CH B TRANSFORMER CONNECTIONS TO ISOLATED SECONDARY WINDINGS SAME VOLTAGES AS CHANNEL A.
- CH B SPEAKER OUTPUT J 52-2
 J 52-3
 J 52-4
 J 52-5
 J 52-6
 J 52-7
 J 52-8
 J 52-9
 J 52-10
 J 52-11
 J 52-12
 J 52-13
 J 52-14
 J 52-15
 J 52-16
 J 52-17
 J 52-18
 J 52-19
 J 52-20

- NOTES**
- CH B IDENTICAL TO CH A, EXCEPT PART NUMBER SEQUENCE R 601, 602 ETC.
 - ALL RESISTORS 1/4-WATT, 5% UNLESS NOTED.
 - ALL CAPACITORS 100V UNLESS NOTED.
 - TOLERANCE 20% FOR ELECTROLYTIC TYPES, 10% ON OTHER TYPES.
 - R 516, 616 IS POSITIVE TEMPERATURE COEFFICIENT RESISTOR, MTD TO HEAT SINK, RESISTANCE 100 OHM COLD, RISING AT 85 C. QSC PIN RE-000003-PT.
 - Q 503, 504, 603, 604 ARE SWITCHING FETS, QSC PIN QD-000031-QD.
 - 125 W, 80 V MINIMUM ON-RESISTANCE 0.030 OHMS MAX.
 - ZENERS D 517, 617, MARKED 7.5 V, LOW LEAKAGE, QSC PIN QD-0007-5-ZT.
 - BRIDGE RECTIFIER BR 503, 603, 1.5A, 100V.
 - PARTS MARKED WITH TRIANGLE REPLACED WITH EXACT TYPE ONLY.
 - PARTS WITHIN DOTTED OUTLINE VOLTAGE GREATER THAN 42V.

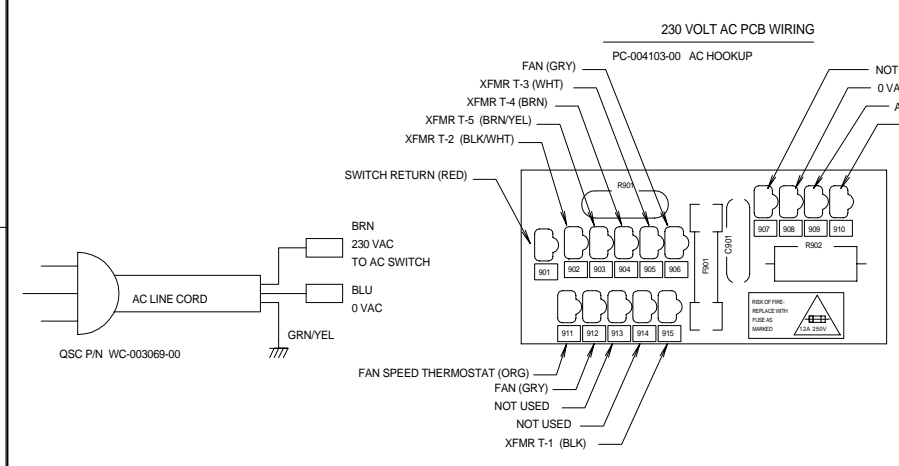
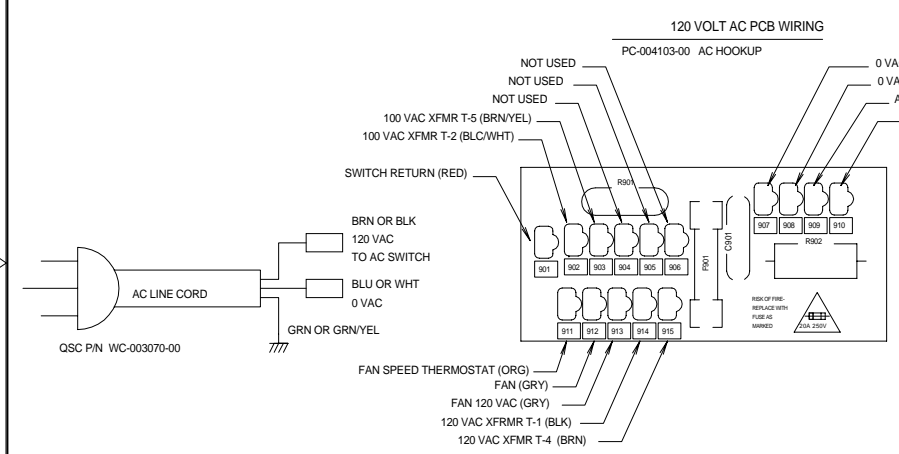
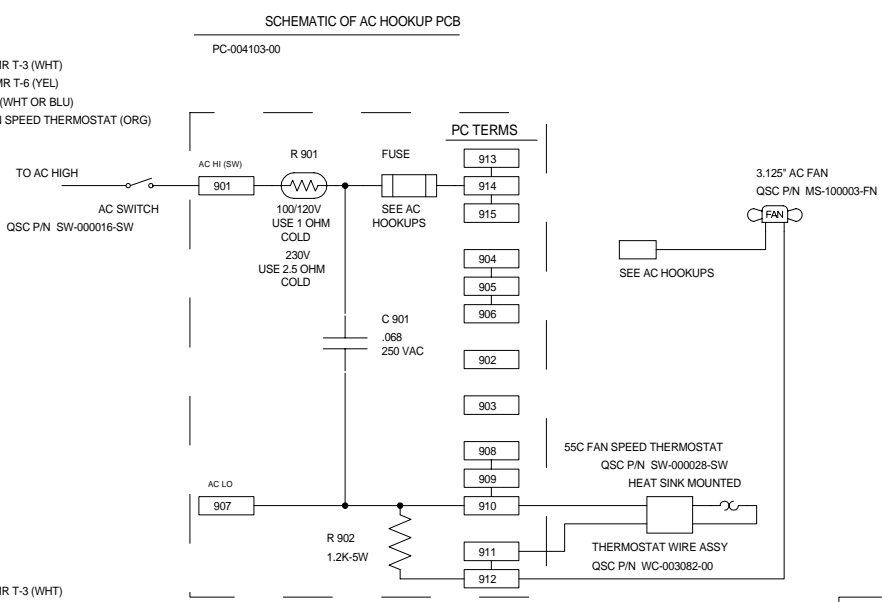
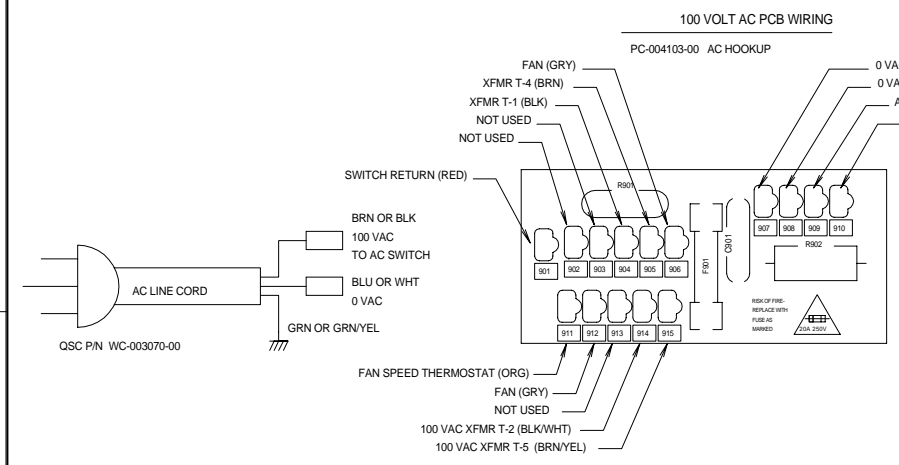
1. PLOTTED AT 1/2 SCALE.
 NOTES: UNLESS OTHERWISE SPECIFIED

PARTS LIST		CONTRACT NO.		QSC AUDIO PRODUCTS, INC.	
UNLESS OTHERWISE SPECIFIED DIMENSIONS ARE IN INCHES. DIMENSIONS PER ANSI Y14.5-1982. TOLERANCES ARE:	DECIMALS	DECIMALS	ANGLES	COSTA MESA, CALIFORNIA	
xx +	xxx +	°		SCHEMATIC, MX 1000a	
	DEBURR EDGES: XXX R MAX			DRAWN FH-Q	
				CHECKED SGM	
				ISSUED	
WP-001001-00	MX 1000a	FINISH		SIZE FROM NO.	DWG NO.
NEXT ASSY USED ON				D	SH-001010-00
APPLICATION	DO NOT SCALE DRAWING			CAD SEED FILE NO.	SHEET 1 OF 1
				SH-1010B.FCD	

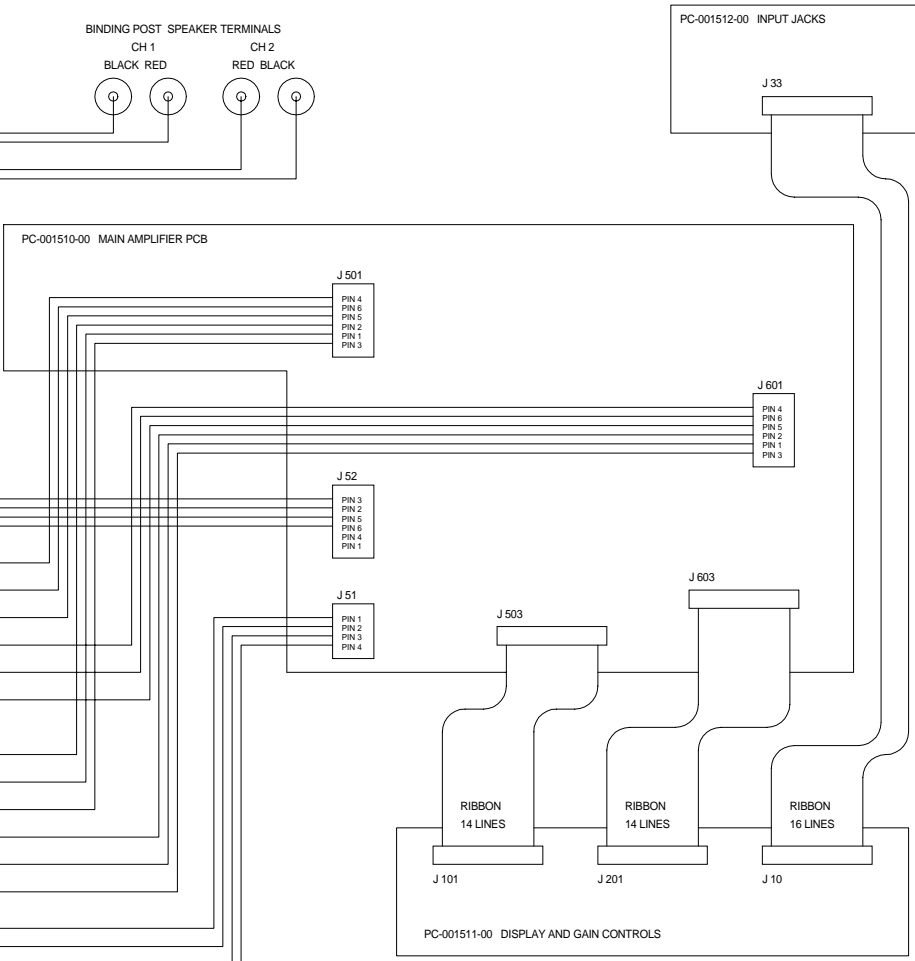
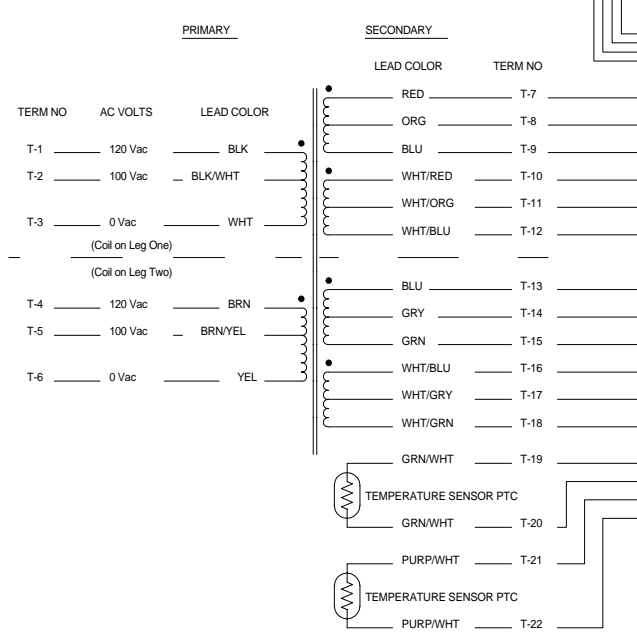
SH-001010-00 1 REV B4

THIS DOCUMENT CONTAINS PROPRIETARY INFORMATION WHICH IS THE PROPERTY OF QSC AUDIO PRODUCTS, THAT MAY NOT BE DISCLOSED, REPRODUCED OR USED WITHOUT EXPRESS WRITTEN CONSENT FROM QSC AUDIO PRODUCTS.

REVISIONS				
ZONE	REV	DESCRIPTION	DATE	APPROVED
	A	PROTO RELEASE, PHQ	8-29-91	SGM
	B	PRODUCTION RELEASE PER ECO 1317, SGM	12-5-91	SGM
	C	REVISED PER ECO 1455, SGM	4-7-92	SGM
	D	REVISED PER ECO 1579 LG	9-23-92	SGM
	E	REVISED PER ECO 1735 WR	2-15-93	



POWER TRANSFORMER XF-001010-00



NOTES: UNLESS OTHERWISE SPECIFIED

UNLESS OTHERWISE SPECIFIED DIMENSIONS ARE IN INCHES. DIMENSIONS PER ANSI Y14.5-1982. TOLERANCES ARE:		CONTRACT NO.		QSC AUDIO PRODUCTS, INC. COSTA MESA, CALIFORNIA	
DECIMALS	xx ± .02	DECIMALS	xxx ± .010	ANGLES	± 1/2°
DEBURR EDGES: .XXX R MAX		APPROVALS		DATE	
MATERIAL		DRAWN		8/29/91	
NEXT ASSY USED ON		CHECKED		12/16/91X	
APPLICATION		ISSUED		12/16/91	
WP-001003-XX	MX 1000a	SCALE		NONE	
DO NOT SCALE DRAWING		DWG NO.		SH-001011-00	
CAD SEED FILE NO. SH1011D1.FCD		SHEET		1 OF 1	

SH-001011-00 1 REV E