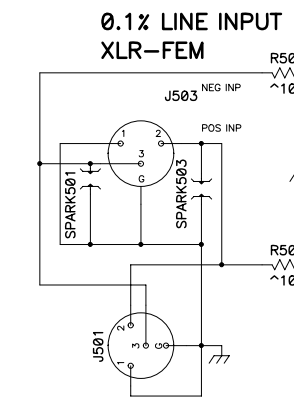
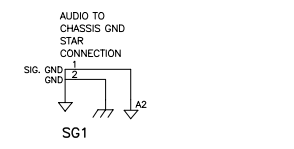
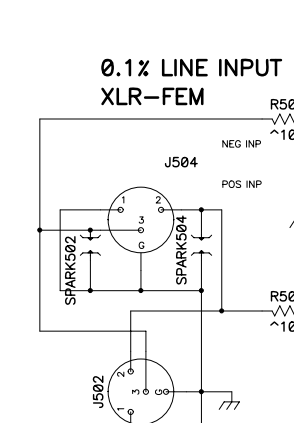


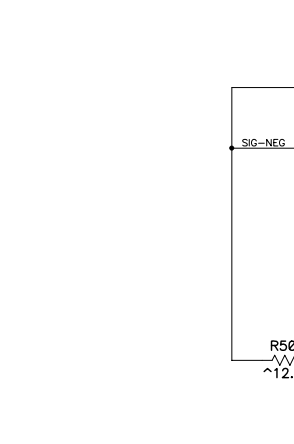
THIS DOCUMENT CONTAINS PROPRIETARY INFORMATION WHICH IS THE PROPERTY OF QSC AUDIO PRODUCTS, THAT MAY NOT BE DISCLOSED, REPRODUCED OR USED WITHOUT EXPRESS WRITTEN CONSENT FROM QSC AUDIO PRODUCTS.



LINE OUTPUT, XLR-MALE
HIGH PERFORMANCE BALANCED INPUTS 0.775V (+0dBu, 1Vp) FOR FULL POWER OUTPUT AT 12 O'CLOCK GAIN



LINE OUTPUT, XLR-MALE

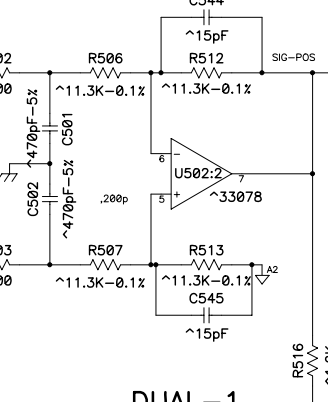


DUAL-4B

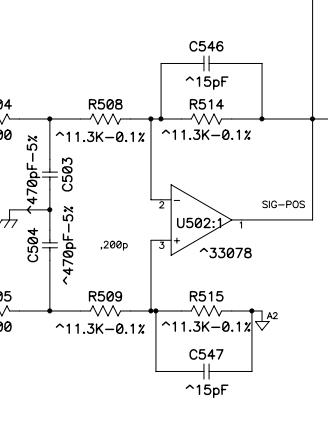


DUAL-2

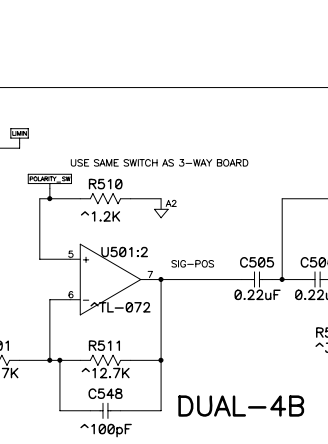
ADD CHASSIS TIE



LINE OUTPUT, XLR-MALE



HI-PASS OUTPUT, XLR-MALE

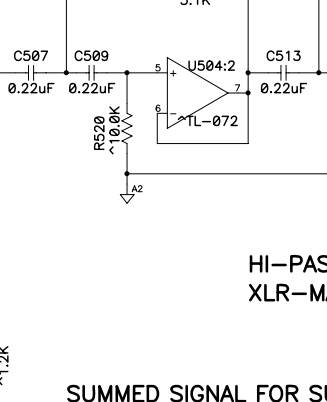


QUAD-7

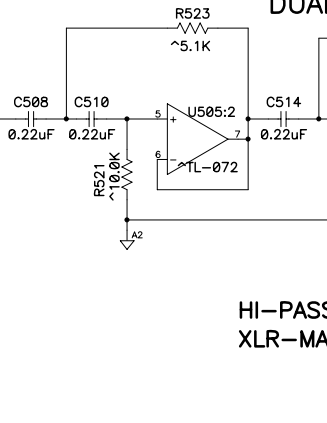


QUAD-8

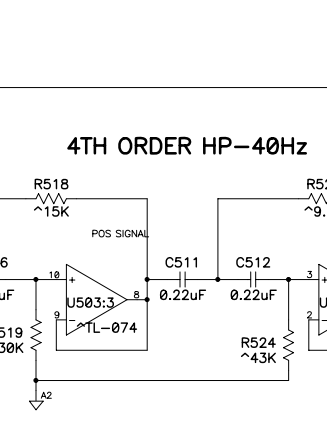
OP-AMP SUPPLIES



SUB GAIN



SIGNAL-PRESENCE LED DRIVER

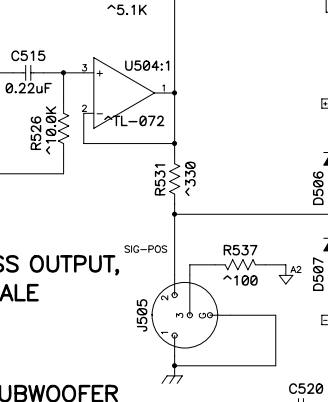


CUT

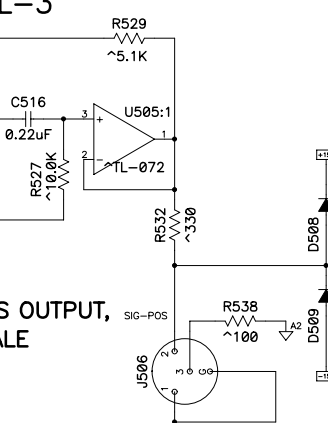


QUAD-8

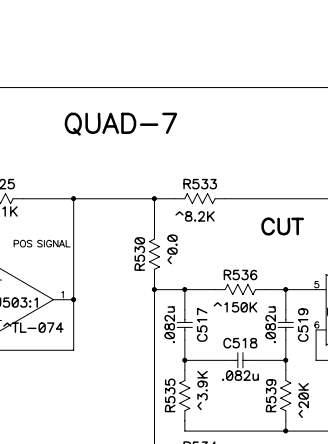
TO FRONT MOUNTED LED (SWITCHABLE)



SWITCH/LED PCB MOUNTS FROM INPUT PCB



RED CLIP-LIM LED

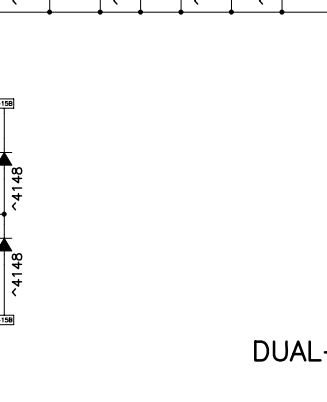


LED CONNECTIONS

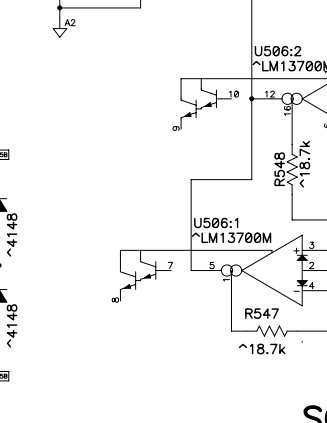


LED CONNECTIONS

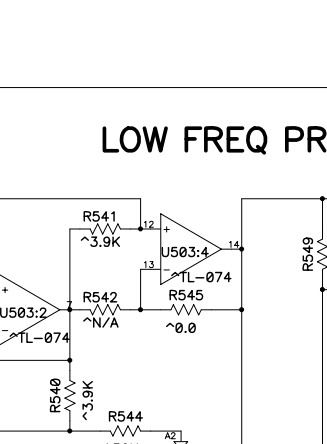
OP-AMP SUPPLIES



OP-AMP SUPPLIES



OP-AMP SUPPLIES

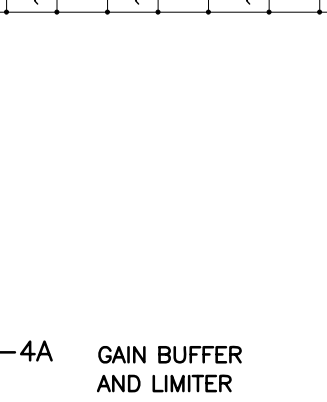


OP-AMP SUPPLIES

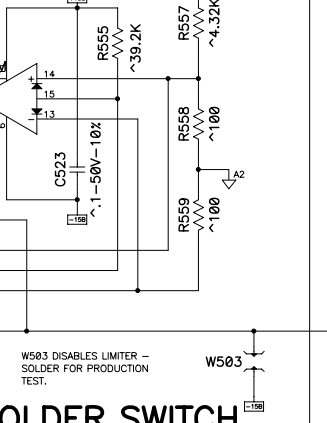


OP-AMP SUPPLIES

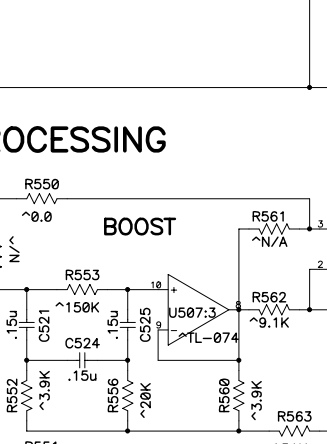
TO FRONT MOUNTED LED (SWITCHABLE)



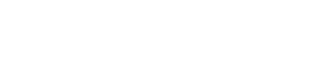
SWITCH/LED PCB MOUNTS FROM INPUT PCB



RED CLIP-LIM LED

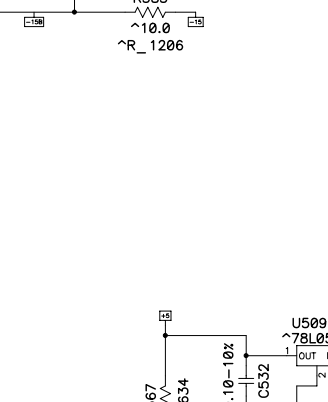


LED CONNECTIONS

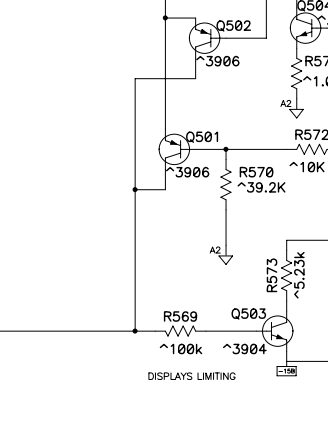


LED CONNECTIONS

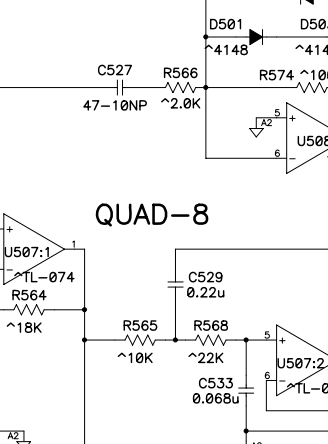
TO FRONT MOUNTED LED (SWITCHABLE)



SWITCH/LED PCB MOUNTS FROM INPUT PCB



RED CLIP-LIM LED

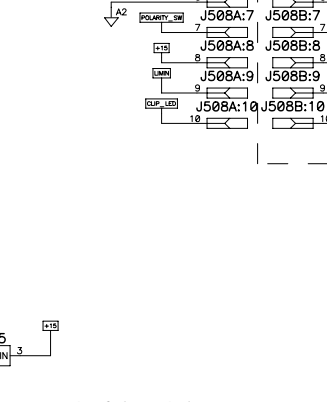


LED CONNECTIONS

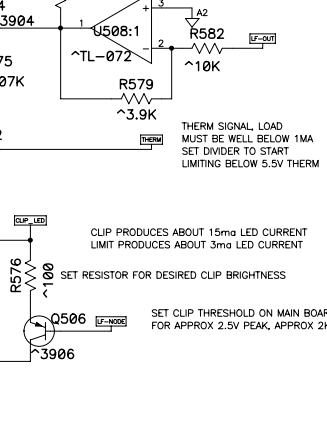


LED CONNECTIONS

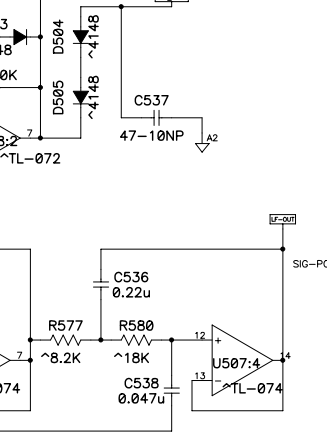
TO FRONT MOUNTED LED (SWITCHABLE)



SWITCH/LED PCB MOUNTS FROM INPUT PCB



RED CLIP-LIM LED

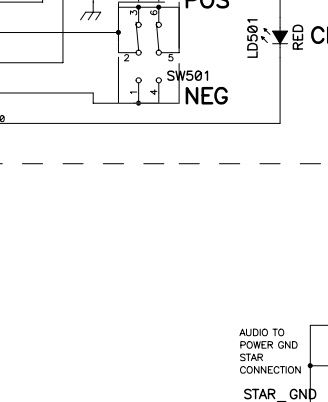


LED CONNECTIONS

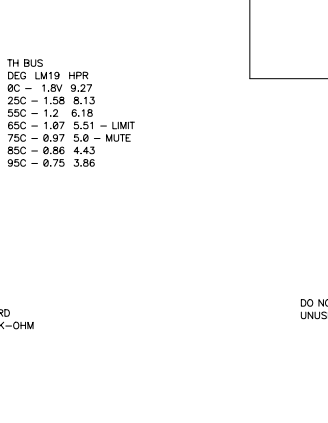


LED CONNECTIONS

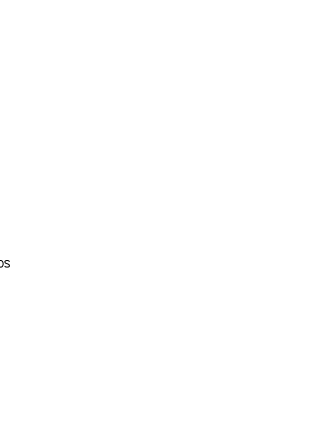
TO FRONT MOUNTED LED (SWITCHABLE)



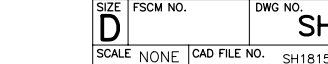
SWITCH/LED PCB MOUNTS FROM INPUT PCB



RED CLIP-LIM LED



LED CONNECTIONS



LED CONNECTIONS