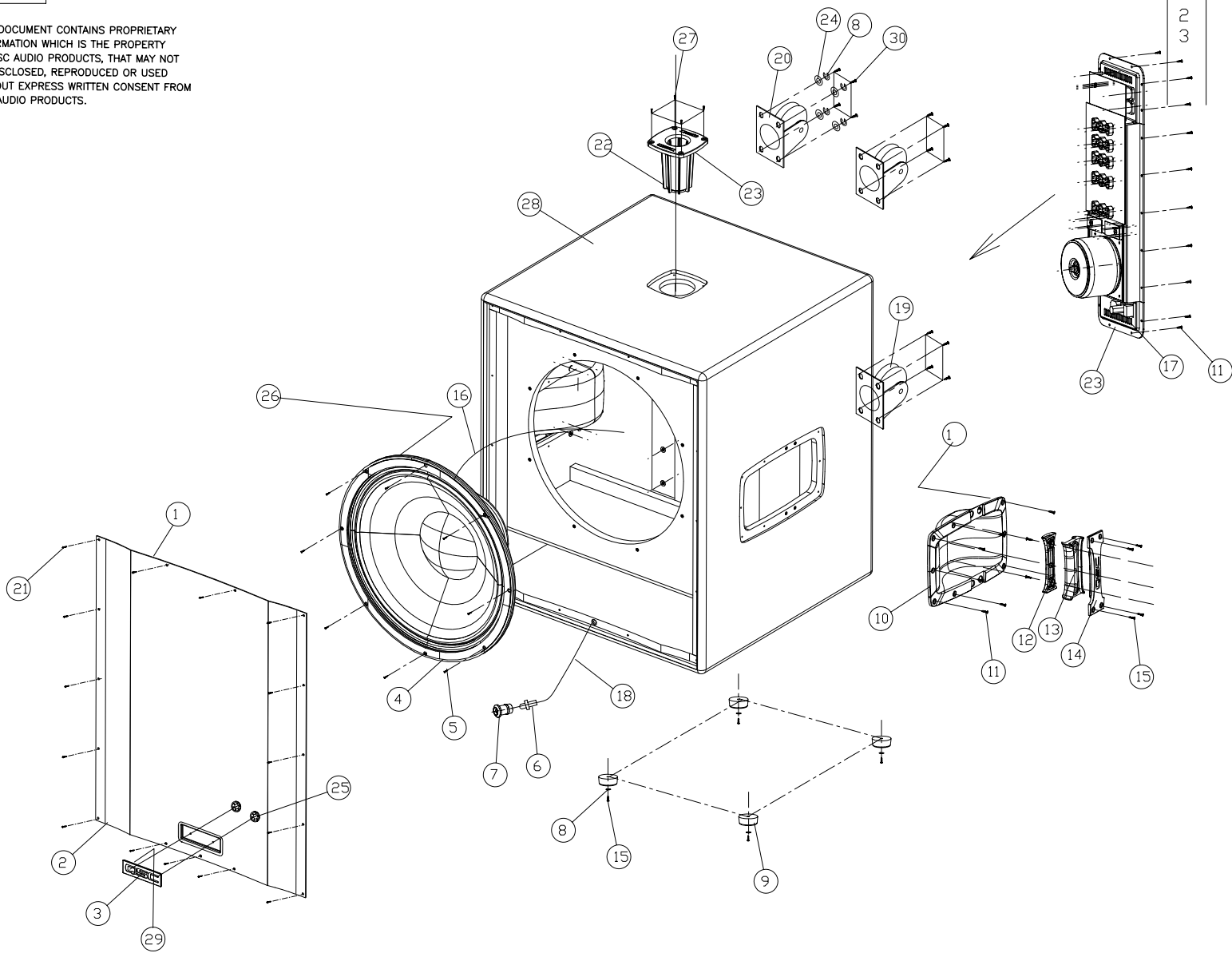




THIS DOCUMENT CONTAINS PROPRIETARY INFORMATION WHICH IS THE PROPERTY OF QSC AUDIO PRODUCTS, THAT MAY NOT BE DISCLOSED, REPRODUCED OR USED WITHOUT EXPRESS WRITTEN CONSENT FROM QSC AUDIO PRODUCTS.



REV	ZONE	DESCRIPTION	DATE
1		DRAWING RELEASE	Aug.06.05
2		UPDATE PART NO.	Nov.07.05
3		UPDATE ITEM 15 & 30	Nov.24.05

**QSC** QSC AUDIO PRODUCTS, INC.  
1675 MACARTHUR BOULEVARD  
COSTA MESA, CA 92626

UNLESS OTHERWISE SPECIFIED : TOLERANCES ARE				MODEL USAGE	MATERIAL:	SIGNATURE	DATE	TITLE: EXPLODED DRAWING FOR HPR 18IN SUB			
1 decimal place	±0.1mm	31 - 120mm	±0.3mm	HPR 18IN SUB		DRAWN:Huisheng Wu	Jun.28.05	PART NO.			
1 - 5mm	±0.1mm	121 - 315mm	±0.5mm		FINISH:	CHECKED:		SCALE	SIZE	DRAWING NO.	REV 3
6 - 30mm	±0.2mm	OVER 315mm	±0.8mm	ALL DIMENSIONS ARE IN MM	DO NOT SCALE DRAWING	APPROVED:		NTS	A4	Exe_18in_sub_HPR	PAGE 1 OF 2

Item Number	Component Description	Component Item Number	Qty
1	GASKET,1000X10X2MM,EVA B,,,	PL-000062-GP	5
2	GRILL,,HPR181W,,	CH-000479-GP	1
3	LOGO,HPR SERIES,,,,	PL-000440-GP	1
4	WOOFER,18",PAPER,FERRITE,CELESTION,FTR18-4080F	SP-000080-GP	1
5	SCREW,M5X34,HEX-SOCKET,HEAD DIA 11XH5,BLK,	SC-000095-GP	8
6	LED,3MM,BLUE SP,SLR343BB T 225419 ROHM,,,	QD-000312-GP	1
7	LED HOLDER,FOR HPR,,,,	PL-000479-GP	1
8	SPRING WASHER,M5X1.2X8.5,MM ZNC,,	NW-000107-GP	20
9	FEET,HPR SUBS,,RUBBER,,	PL-000445-GP	4
10	HANDLE CAP,FOR HPR,,,,	PL-000076-GP	2
11	SCREW WOOD,M4X20,BIND HEAD BZ,,,	SC-000100-GP	36
12	BOTTOM HANDLE,FOR HPR,SIDE HANDLE,,	CH-000523-GP	2
13	RUBBER GRIP,FOR HPR SIDE HANDLE,,,,	PL-000072-GP	2
14	REAR HANDLE,FOR HPR,ENDCAP,,	CH-000493-GP	2
15	SCREW,M5X25,PAN HEAD,DIA 8XH2.5,BLACK,	SC-000094-GP	12
16	#16 AWG WIRE,UL1015 PIN,T65-6Y-2,,,,	WC-000417-GP	1
17	AMP MODULE,,HPR181W,120V,	WP-001816-00	1
18	WIRE,BLACK&BLACK,26 AWG TWIN,,,,1080MM,UL2468	WC-000420-GP	1
19	CASTER,3 INCH,,,	MS-000258-GP	2
20	CASTER,SWIVEL,3 INCH,,	MS-000259-GP	2
21	SCREW,TRUSS HEAD,M4X16,JHC030-00,,	SC-000099-GP	14
22	HPR SUB POLE MOUNT	CH-000570-GP	1
23	EVA GASKET,5X500,,,,	PL-000066-GP	4
24	WASHER,M6X1X18, NI,,METAL,	NW-000109-GP	16
25	S/L WASHER,M9.7X22X0.5,,,	NW-000105-GP	2
26	GASKET,1300X10X4MM,EVA BK,,,	PL-000063-GP	1
27	SCREW,PH,M5X35MM,BLACK,,	SC-000097-GP	4
28	CABINET,FOR HPR18 SUB,,,,	SB-000050-GP	1
29	FOAM STRIP,MP1,406.4X6X4,SP8296,,	PL-000065-GP	1
30	SCREW,M5X25,BLACK,,,	SC-000093-GP	16