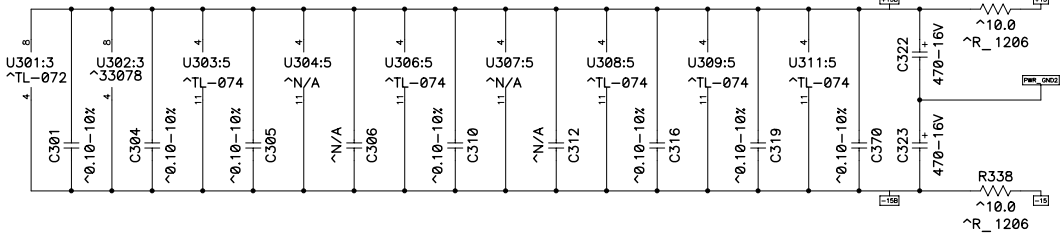
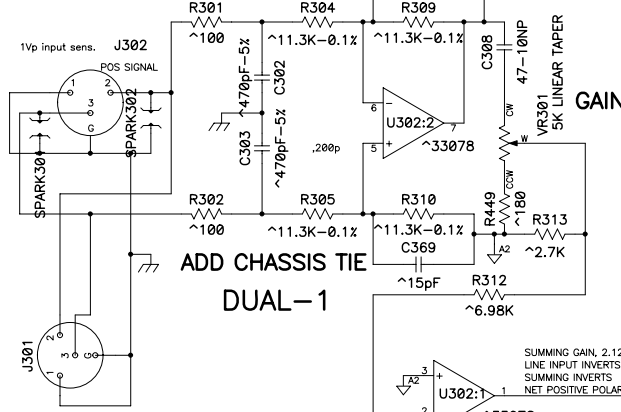


THIS DOCUMENT CONTAINS PROPRIETARY INFORMATION WHICH IS THE PROPERTY OF QSC AUDIO PRODUCTS, THAT MAY NOT BE DISCLOSED, REPRODUCED OR USED WITHOUT EXPRESS WRITTEN CONSENT FROM QSC AUDIO PRODUCTS.

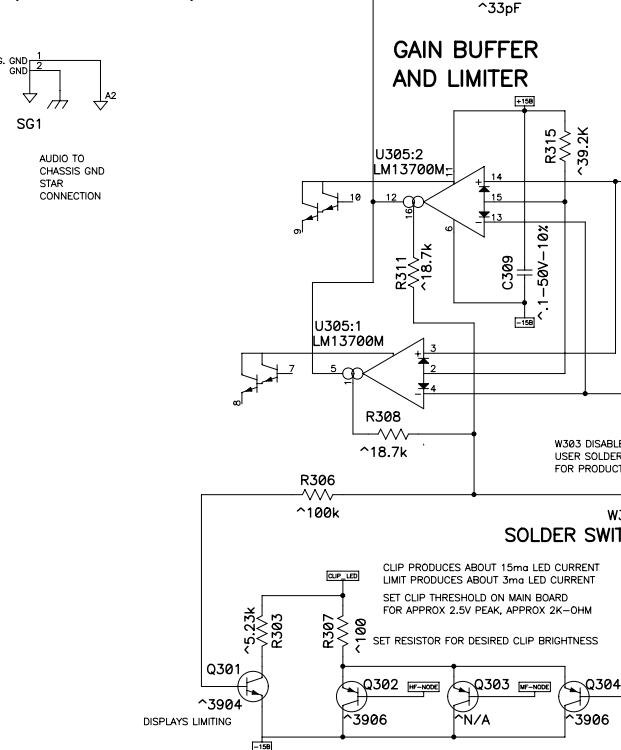
**OP-AMP SUPPLIES**



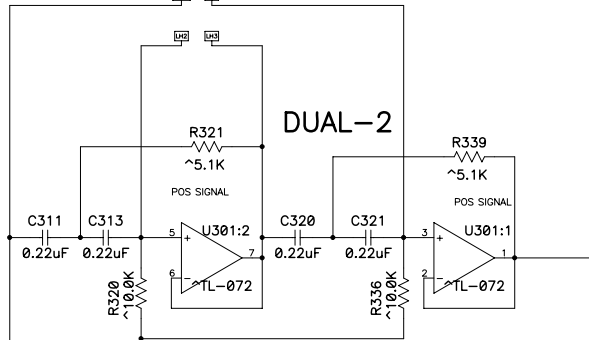
**HIGH PERFORMANCE BALANCED INPUT**  
 0.775V (+0dBu, 1Vp) FOR FULL POWER OUTPUT AT 12 O'CLOCK  
 0.1% LINE INPUT XLR-FEM



**LINE OUTPUT**  
 XLR-MALE (USE VERT TYPE)

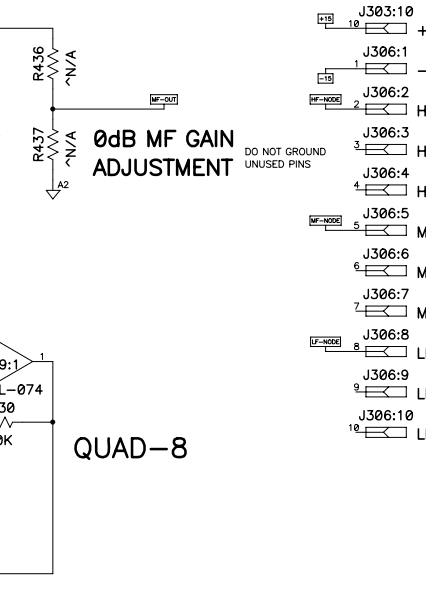
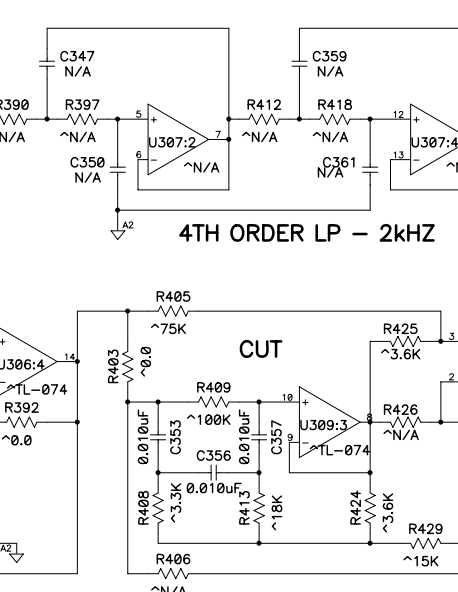
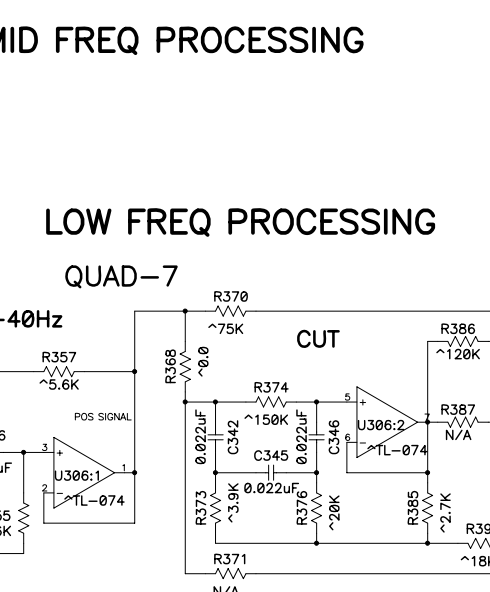
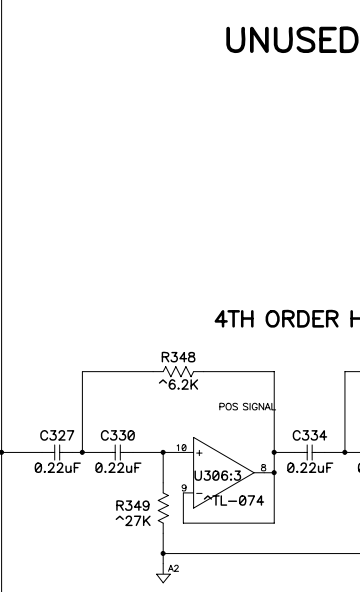
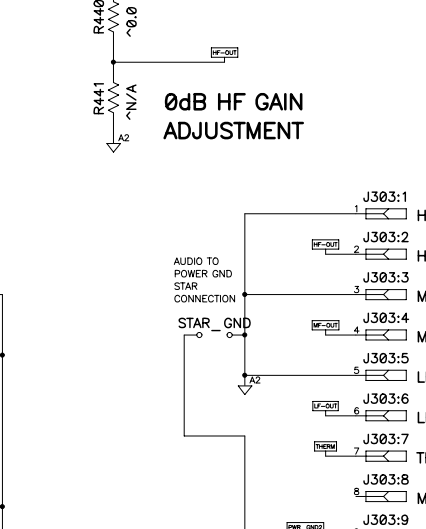
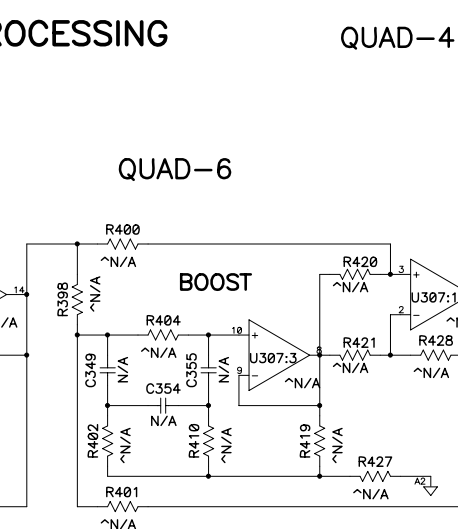
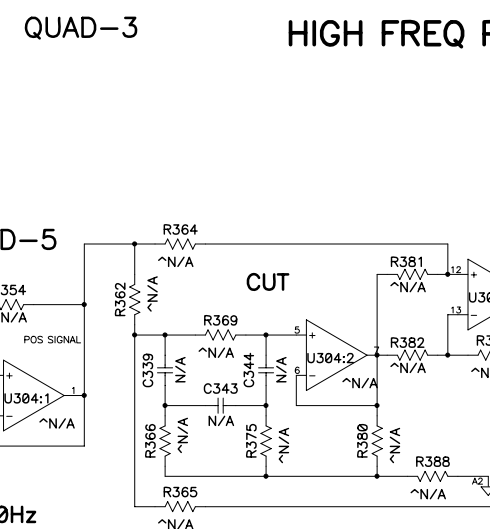
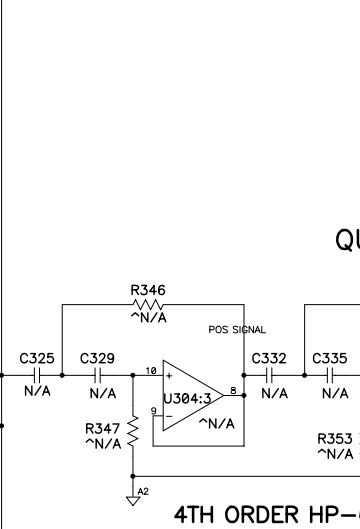
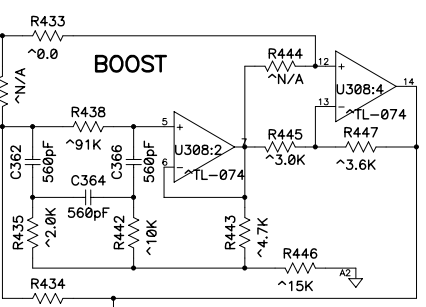
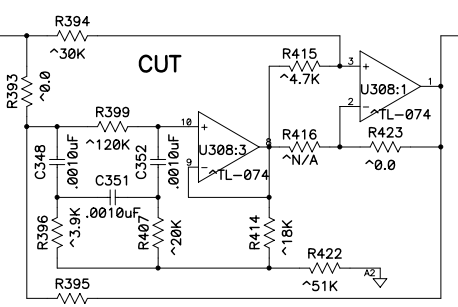
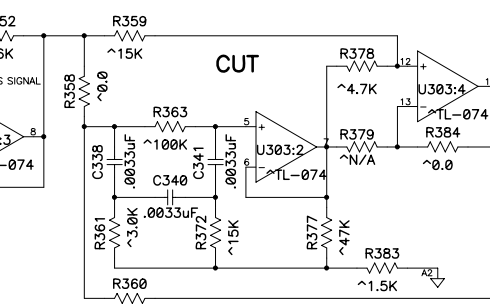
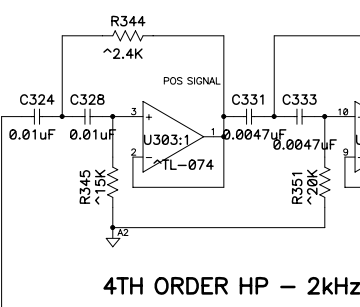
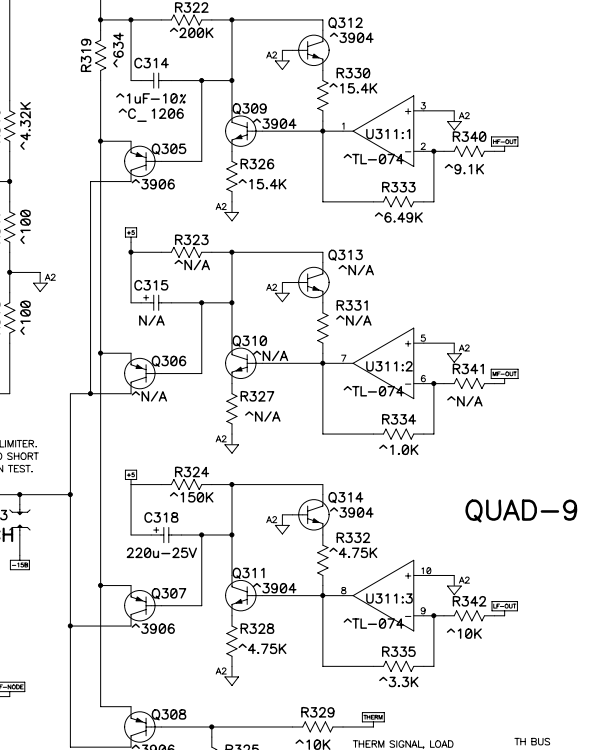


**SWITCHABLE 4TH ORDER HP-100Hz UP=BYPASSED**



**DESIRED LIMITER ATTACK/RELEASE TIMES**  
 3-WAY  
 \*LF ATTACK - 2.76S, RELEASE - 4.76S  
 \*MF ATTACK - 232ms, RELEASE - 521ms  
 \*HF ATTACK - 22ms, RELEASE - 32ms  
 2-WAY  
 \*LF ATTACK - 3S, RELEASE - 4.7S  
 \*HF ATTACK - 21ms, RELEASE 32ms  
 1% SUB  
 \*ATTACK - 300ms, RELEASE - 475ms  
 1% SUB  
 \*ATTACK - 300ms, RELEASE - 560ms

**LIMITER CONTROL PROCESSING**



- J303:1 HF-REF GND
- J303:2 HF-SIGNAL
- J303:3 MF-REF GND
- J303:4 MF-SIGNAL
- J303:5 LF-REF GND
- J303:6 LF-SIGNAL
- J303:7 THERMAL
- J303:8 MUTE LINE
- J303:9 PWR GND
- J303:10 +15V
- J306:1 -15V
- J306:2 HF-NODE
- J306:3 HF-IMON
- J306:4 HF-IMON REF
- J306:5 MF-NODE
- J306:6 MF-IMON
- J306:7 MF-IMON REF
- J306:8 LF-NODE
- J306:9 LF-IMON
- J306:10 LF-IMON REF

**QSC AUDIO PRODUCTS, INC.**  
 COSTA MESA, CALIFORNIA

**HPR152F INPUT BOARD**

SIZE	FSCM NO.	DWG NO.	REV
D		SH-000938-00	7
SCALE	CAD FILE NO.	SHEET	1

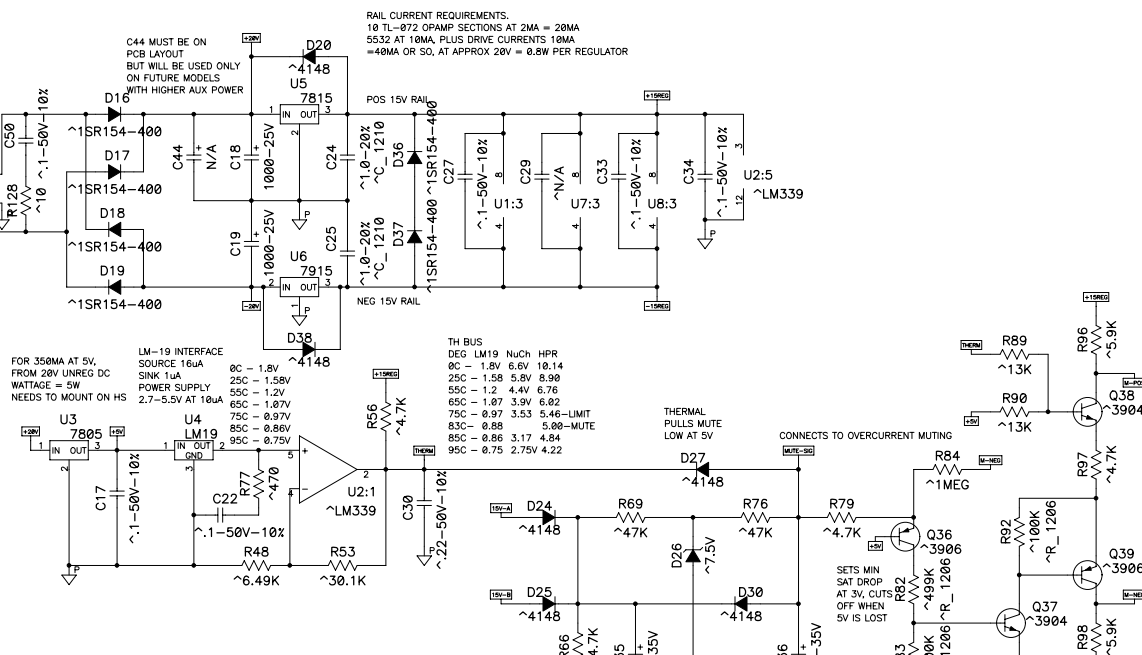
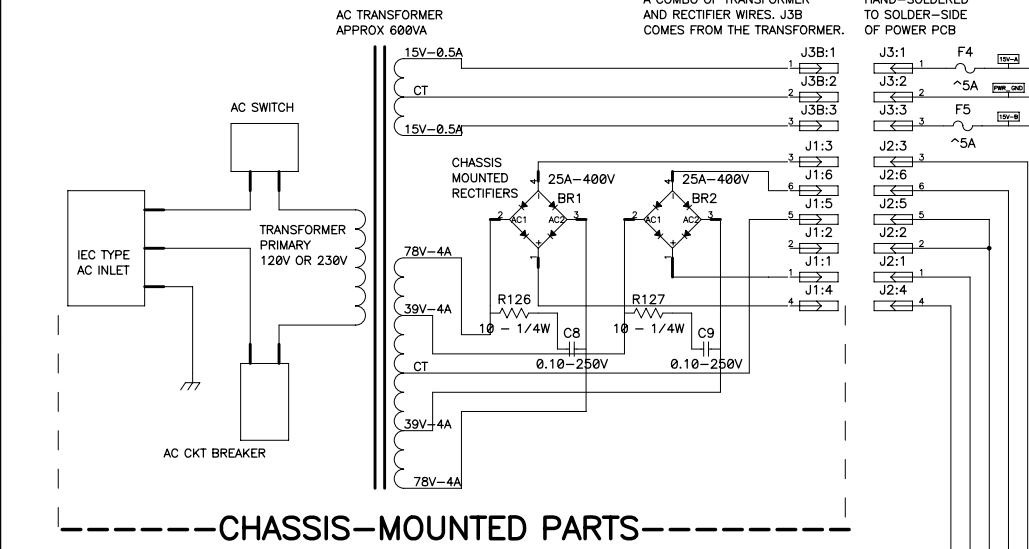
**DO NOT RENUMBER !! STARTS 301**

SH-000938-00 (REV. 7)

THIS DOCUMENT CONTAINS PROPRIETARY INFORMATION WHICH IS THE PROPERTY OF QSC AUDIO PRODUCTS, THAT MAY NOT BE DISCLOSED, REPRODUCED OR USED WITHOUT EXPRESS WRITTEN CONSENT FROM QSC AUDIO PRODUCTS.

REV6, 2005-08-19  
 PILOT REVISION  
 \*R48 ^6.49K, WAS ^7.5K  
 \*R125 ^0.0, WAS ^33  
 CHANGE BIAS ADJUST NOTES  
 MOVED THERMAL LIMIT AND BIAS ADJUSTMENT TO COMPENSATE FOR THE RELOCATION OF U4

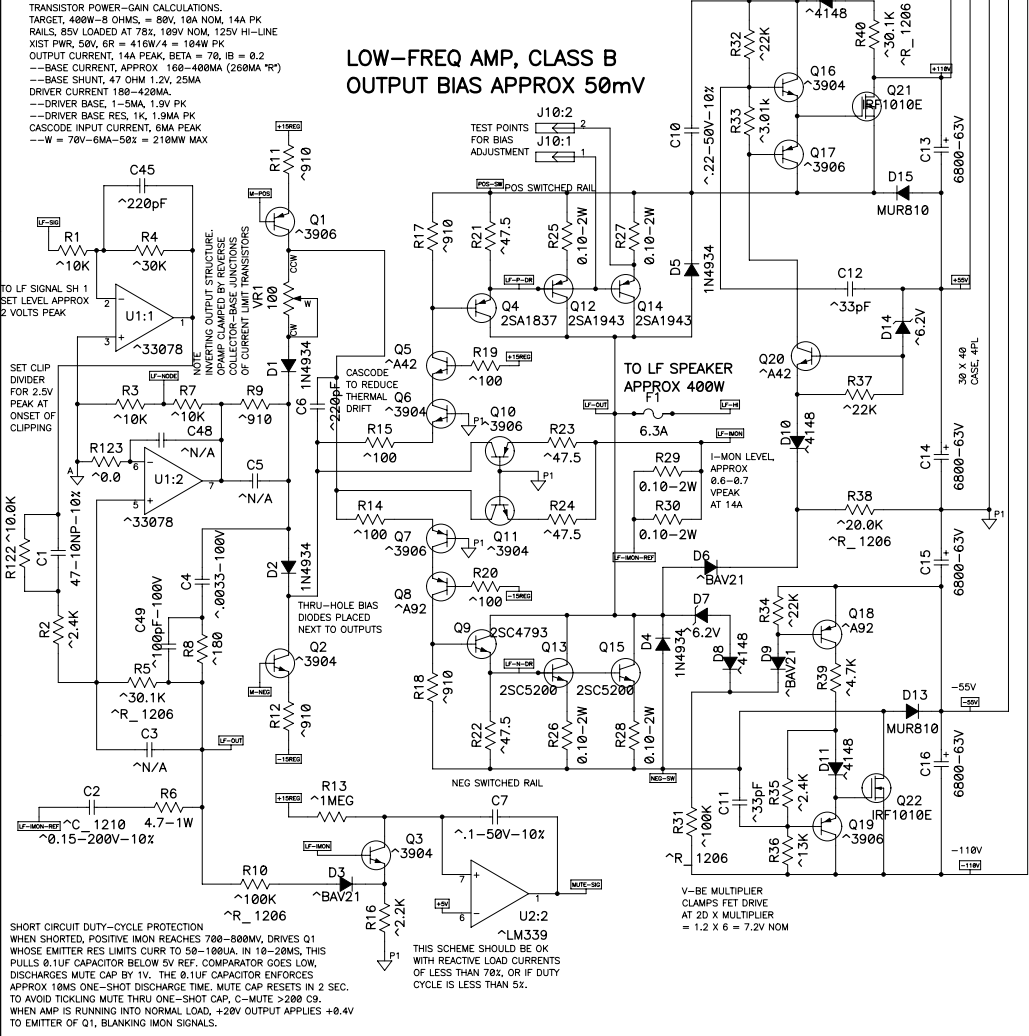
REV5, 2005-JULY-19  
 \*ADD AUXILIARY SNUBBER FOR EMC  
 ADD C50 0805 ^0.1uF  
 ADD R128 ^10 SERIES W/ C50  
 \*UPDATE AUXILIARY DIODES W/ SMT  
 D16, D17, D18, D19, D36, D37



OUTPUT FUSE SCHEDULE SUB.  
 400W MAX-4 OHM = 10A  
 FAULT CURRENT = 20A  
 2-WAY AND 3-WAY  
 200W MAX, LF, 8R = 5A  
 FAULT CURRENT = 10A  
 50W MAX, MF-HF 8R = 2.5A  
 FAULT CURRENT = 5A

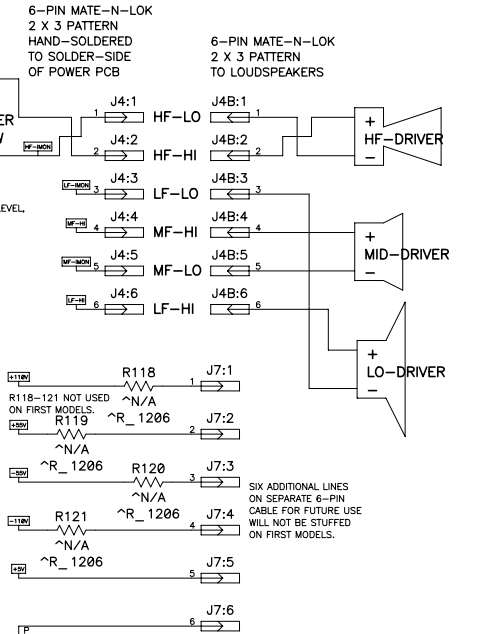
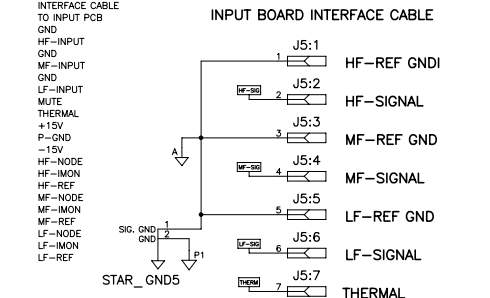
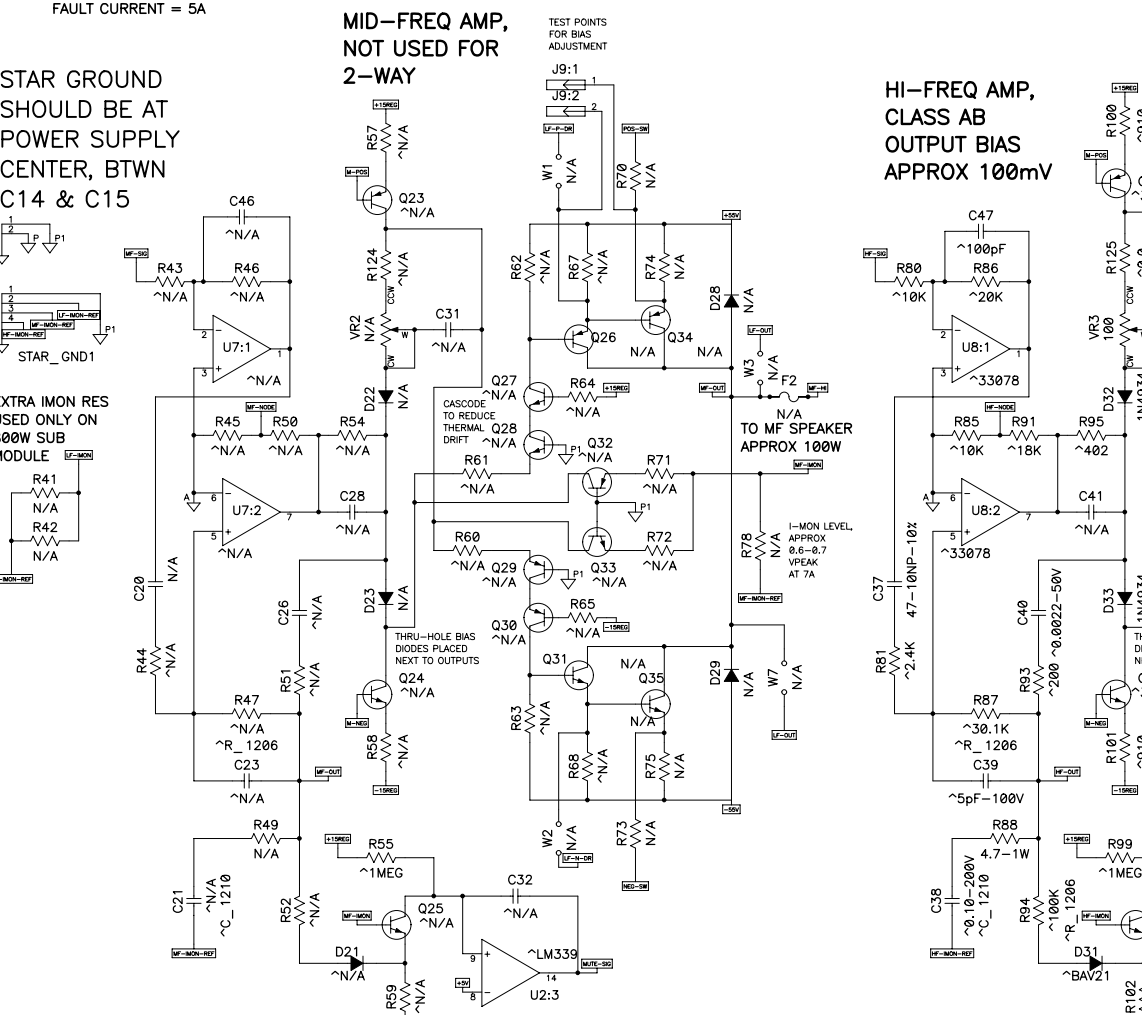
MID-FREQ AMP, NOT USED FOR 2-WAY

HI-FREQ AMP, CLASS AB OUTPUT BIAS APPROX 100mV



STAR GROUND SHOULD BE AT POWER SUPPLY CENTER, BTWN C14 & C15

EXTRA IMON RES USED ONLY ON 800W SUB MODULE



CAPACITORS, ^VALUE INDICATES SURFACE MOUNT, 0805 UNLESS SHOWN  
 DIODES AND TRANSISTORS, ^VALUE INDICATES SMT, SOT-23 PACKAGE  
 IC'S, ^VALUE INDICATES SMT, MINI-DIP PACKAGE  
 RESISTORS, ^VALUE INDICATES SURFACE MOUNT, 1X, 0805 UNLESS NOTED  
 RESISTORS, VALUE INDICATES THRU-HOLE, WATTAGE AS MARKED, DIA LESS THAN 0.18 INCHES  
 NOTES: UNLESS OTHERWISE SPECIFIED

DO NOT RENUMBER !!

QSC AUDIO PRODUCTS, INC.  
 COSTA MESA, CALIFORNIA

HPR152F 2-CH AMPLIFIER

SIZE	FSCM NO.	DWG NO.	REV
D		SH-000942-00	6
SCALE	CAD FILE NO.	SHEET	
		1	

Part Number	Description	Qty	Ref Des
CA-005001-GP	5P, +0.25P, 100V, CTC, 0805, 0/30	1	C39
CA-015005-GP	15PF, 5 PCNT, 50V, CERAMIC, 0805,	2	C368, C369
CA-033003-GP	33PF, 5%, 50V, CC, 0805, 1.2X	3	C11, C12, C307
CA-110005-GP	CC 50V 100PF 5% 0805 1.2	1	C47
CA-110007-GP	100P, 5%, 100V, CTC, 0805, 0/30	1	C49
CA-122005-GP	CC 50V 220PF 5% 0805	3	C42, C45, C6
CA-147006-GP	470PF 5% 50V CER NPO	2	C302, C303
CA-156002-GP	560P, 5%, 50V, CM, , RLT P5.0	3	C362, C364, C366
CA-210016-GP	0.001U, 5%, 63V, CM, , RBT 7.5	3	C348, C351, C352
CA-222015-GP	2200P, 5%, 50V, CTC, 0805, 0/30	1	C40
CA-233009-GP	3300P, 5%, 100V, CTC, 1206, 0/30	1	C4
CA-233010-GP	3300P, 5%, 63V, CM, , RBT, 7.5X	3	C338, C340, C341
CA-247005-GP	.0047UF, 5 PCNT, 50V, FILM, DIPPED,	3	C331, C333, C365
CA-310010-GP	0.01U, 5%, 63V, CM, , RBT 7.5X	5	C324, C328, C353, C356, C357
CA-315001-GP	0.015U, 5%, 63V, CM, , RBT	1	C360
CA-322011-GP	0.022U, 5%, 63V, CM, , RBT	5	C342, C345, C346, C358, C363
CA-410014-GP	0.1UF 10% 50V CER X7R 0805	17	C17, C22, C27, C301, C304, C305, C309, C310, C316, C317, C319, C33, C34, C370, C43, C50, C7
CA-410018-GP	CM 250V .1UF 5% RL	2	C8, C9
CA-410024-GP	CC 200V 0.1U 5% 1210	1	C38
CA-415006-GP	.15UF, 5 PCNT, 200V, CC, 1210,	1	C2
CA-422010-GP	0.22U, 10%, 50V, CC, 0805,	2	C10, C30
CA-422011-GP	0.22U, 5%, 63V, CM, , RBT, 7.5X	8	C311, C313, C320, C321, C327, C330, C334, C336
CA-510016-GP	1U, 10%, 25V, CC, 0805,	1	C314
CA-510017-GP	1UF, 20 PCNT, 50V, CC, SMT, 1210	2	C24, C25
CA-610009-GP	CE 35V 10UF 20% RL 5 X 11	1	C35
CA-622010-GP	22UF, 20%, 35V, CE, , RLT, 5x11	1	C36
CA-647006-GP	CE 16NP 47UF 20% RL	5	C1, C308, C326, C337, C37
CA-722007-GP	220UF, 20 PCNT, 25V, CE, RL,	1	C318
CA-747009-GP	470UF, 20%, 16V, CE, , RLT	2	C322, C323
CA-810007-GP	1000UF, 20%, 25V, CE, , RLT	2	C18, C19
CA-868002-GP	6800UF, 20 PCNT, 63V, CE, RL,	4	C13, C14, C15, C16
CH-000173-GP	COVER, XFMR, STEEL, LARGE	1	
CH-000425-GP	PANEL-LEFT (AC), BLACK, , HPR,	1	
CH-000484-GP	PANEL-INPUT, BLACK 152, , HPR,	1	
CH-000489-GP	PLATE-SPRING STEEL, , , ,	4	
CH-000490-GP	HEATSINK, 381X189.2X38.1, , HPR,	1	
CO-000058-GP	XLR, CONNECTOR, 3PM, , ,	1	J301
CO-000204-GP	CONN XLR F VERT PLASTIC	1	J302
CO-000211-GP	AC INLET 250V 15A	1	
CO-000213-GP	CONN 2 PIN STRAIGHT WAFER	1	J304A
CO-000214-GP	CONN 3 PIN STRAIGHT WAFER	1	J3
CO-000281-GP	HDR 6.3MM CNTR 6P(2X3)MALE	2	J2, J4
CO-000349-GP	WIRE HOLDER, RIBBON CABLE, 10 POS, FEMALE,	3	J303, J305B, J306
CO-000350-GP	WIRE TRAP, RIBBON CABLE, 10 POS, FEMALE, RELEASEABLE	3	J305A, J5, J6
HW-000075-GP	FUSE HOLDER, , , , ,	2	F1, F3
HW-000102-GP	BRASS POST, D6X10, , , ,	3	
HW-000103-GP	BRASS POST, D6X8, , , ,	4	
IC-000075-GP	IC VOLTAGE REG, +5, LM78L05, SMT,	1	U310
IC-000076-GP	IC LM339, SMD COMPARATORS, , ,	1	U2
IC-000077-GP	IC LM13700M, , , SMT,	1	U305
IC-000078-GP	IC LM19, THERMAL SENSOR, , TO-92,	1	U4
IC-000079-GP	IC MC33078, OP-AMP, , SMT,	3	U1, U302, U8
IC-000377-GP	IC 7805, REGULATOR, 5V, ,	1	U3
IC-000378-GP	IC LM7915CT, REGULATOR, -15V, ,	1	U6
IC-000379-GP	IC LM7815CT, REGULATOR, 15V, ,	1	U5
IC-000380-GP	IC TL072, OPAMP, DUAL, SO-8,	1	U301
IC-000381-GP	IC TL074CD-SO14, OPAMP, QUAD, SO-14,	5	U303, U306, U308, U309, U311
LB-000530-GP	PC INLAY, WARNING LABEL, , ,	1	
MS-000070-GP	2.5A, FAST ACT 5X20, , , ,	1	F3
MS-000073-GP	FUSE, FAST, ACTING 5A, SMT, 1206,	2	F4, F5
MS-000292-GP	FUSE, 6.3A, 5 X 20MM, FAST,	1	F1
NW-000002-GP	SPRING WASHER, 3M, , , , , , ,	4	
NW-000069-GP	SPRING WASHER, M4X1X7, BZ, ,	2	
NW-000070-GP	M3, NUT, , , ,	7	
NW-000071-GP	M4, NUT, , BLACK, ,	2	
NW-000072-GP	NUT, HEX, M4, ,	1	
NW-000073-GP	FLAT WASHER, M4X0.8X9.7, , ,	4	
NW-040002-GP	SPRING WASHER M4 X 7	1	
NW-040003-GP	I/T WASHER M4X0.4X8, YZ	1	
PC-001534-00	PCB MAIN, HPR, ,	1	
PC-001535-00	PCB, INPUT, HPR, , FULL RANGE	1	
PL-000066-GP	EVA GASKET, 5X500, , , ,	3	
PL-000152-GP	CABLE TIE, ISA	4	

Part Number	Description	Qty	Ref Des
PL-000327-GP	PAD, XFMR, EPDM 40A, 1/8" THK, BLACK,	2	
PL-000391-GP	KNOB, GAIN, HPR SERIES, , ,	1	
PL-000454-GP	INSULATION SHEET IC, , , SILPAD 800, ,	4	
PL-000455-GP	LED HOLDER, LED3-11, , , ,	3	LD301-1, LD302-1, LD303-1
PL-000456-GP	SPRINGSEAT, TRANSISTOR, HPR, NYLON, ,	4	
PL-000457-GP	SPACER, L=4.0, ELM 3, , ,	1	U4
PL-000458-GP	SPONGE CUSHION, , , , ,	2	
PT-110002-GP	TRIM, 100, 20 PCNT, 0.15W, ,	2	VR1, VR3
PT-250003-GP	VR 5K, XVB12111YNPVB25F, , , ,	1	VR301
QD-000201-GP	DIODE LL4148 SM	15	D10, D11, D12, D20, D24, D25, D27, D30, D301, D302, D303, D304, D305, D38, D8
QD-000204-GP	XISTOR NPN 60V 200MA 3904 SOT-23	17	Q11, Q16, Q2, Q3, Q301, Q309, Q311, Q312, Q314, Q315, Q37, Q38, Q41, Q42, Q45, Q50, Q6
QD-000205-GP	XISTOR PNP 40V 0.2A TR3906 SOT-23	15	Q1, Q10, Q17, Q19, Q302, Q304, Q305, Q307, Q308, Q36, Q39, Q40, Q46, Q49, Q7
QD-000206-GP	DIOD RECT FAST, IN4934 AT	8	D1, D2, D32, D33, D34, D35, D4, D5
QD-000208-GP	XISTOR PNP 230V 15A 2SA1943	3	Q12, Q14, Q51
QD-000209-GP	XISTOR NPN 230V 15A 2SC5200	3	Q13, Q15, Q52
QD-000227-GP	BRIDGE RECT 400V 25A	2	BR1, BR2
QD-000260-GP	MOSFET, N-CH, 60V, 52A, 52N06V	2	Q21, Q22
QD-000300-GP	LED SC, 2.9 X 5.4 XL 0.5 BL, , , , ,	1	LD302
QD-000301-GP	LED, 3MM, GREEN SP, , , ,	1	LD303
QD-000302-GP	LED SP, 2.9 X 5.4 XL 0.5 RED, , , , ,	1	LD301
QD-000303-GP	DIODE, BAV21WS 250V, , , , ,	4	D3, D31, D6, D9
QD-000304-GP	DIODE, MUR810 RL 8A, , , , ,	2	D13, D15
QD-000305-GP	DZ 1/2W, 6.2VB RLZ6.2B, , , , SMT,	2	D14, D7
QD-000306-GP	DZ 1/2W, 7.5VB RLZ7.5B LL, , , , SMT,	1	D26
QD-000307-GP	SMD DIODE, ISR154-400, , , , ,	6	D16, D17, D18, D19, D36, D37
QD-000308-GP	TR MMBA42 NPN SMD, , , , , SOT-23,	3	Q20, Q44, Q5
QD-000309-GP	TR 2SA1837, 100-320 RL, , , , ,	2	Q4, Q43
QD-000310-GP	TR 2SC4793, 100-320-RL, , , , ,	2	Q48, Q9
QD-000311-GP	TR MMBA92 SOT 23 KEC, , , , , ,	3	Q18, Q47, Q8
RE-.01002-GP	0.1R, 5 PCNT, 2W, RMF, ATS METAL,	9	R115, R116, R117, R25, R26, R27, R28, R29, R30
RE-.47006-GP	RMF, 1W, 4R7, 5%, AT,	2	R6, R88
RE-000003-GP	RMG 1/10W 0 OHM 5% 0805	13	R123, R125, R358, R368, R384, R392, R393, R403, R423, R430, R433, R434, R440
RE-001009-GP	10 1% 1/8W THK FLM 1206	2	R337, R338
RE-001012-GP	10OHM, 1/4W, 1%, AT, RMF,	2	R126, R127
RE-001013-GP	10, 1 PCNT, 1/10W, THICK FILM, 0805,	1	R128
RE-004753-GP	RMG 1/10W 47.5 OHM 1% 0805	8	R109, R110, R112, R113, R21, R22, R23, R24
RE-010011-GP	100 1% 1/10W THK FLM 0805 100V	13	R103, R104, R107, R108, R14, R15, R19, R20, R301, R302, R307, R317, R318
RE-018001-GP	180R, 1 PCNT, 1/10W, RMG, 0805,	2	R449, R8
RE-020003-GP	200 1% 1/10W THK FLM 0805 100V	1	R93
RE-040200-GP	402R, 1 PCNT, 1/10W, RMG, 0805,	1	R95
RE-047012-GP	470, 1 PCNT, 1/10W, THICK FILM, 0805,	1	R77
RE-063405-GP	634 OHMS 1% 1/10W 0805	1	R319
RE-091002-GP	910R, 1 PCNT, 1/10W, RMG, 0805,	9	R100, R101, R105, R106, R11, R12, R17, R18, R9
RE-110013-GP	RMG 1/10W 1K 1% 0805	1	R334
RE-115008-GP	1.5K, 1 PCNT, 1/10W, THK FLM, 0805, 100V	1	R383
RE-120004-GP	RMG 1/10W 2K 1% 0805	2	R343, R435
RE-122010-GP	2.2K 1% 1/10W THK FM 0805 100V	2	R102, R16
RE-124001-GP	2.4K, 1 PCNT, 1/10W, RMG, 0805,	4	R2, R344, R35, R81
RE-127001-GP	2.7K, 1 PCNT, 1/10W, RMG, 0805,	2	R313, R385
RE-130006-GP	3K, 1 PCNT, 1/10W, THICK FILM, 0805,	2	R361, R445
RE-130103-GP	RMG 1/10W 3.01K 1% 0805	1	R33
RE-133008-GP	3.3K, 1 PCNT, 1/10W, THICK FILM, 0805,	2	R335, R408
RE-136003-GP	3.6K, 1 PCNT, 1/10W, RMG, 0805,	4	R411, R424, R425, R447
RE-139006-GP	3.9K, 1 PCNT, 1/10W, THICK FILM, 0805,	2	R373, R396
RE-143001-GP	4.3K, 1 PCNT, 1/10W, RMG, 0805,	1	R417
RE-143202-GP	4.32K, 1 PCNT, 1/10W, RMG, 0805,	1	R316
RE-147002-GP	4.7K 1% 1/10W THK FLM 0805	8	R378, R39, R415, R443, R56, R66, R79, R97
RE-147506-GP	4.75K, 1 PCNT, 1/10W, THICK FILM, 0805,	2	R328, R332
RE-151006-GP	5.1K, 1 PCNT, 1/10W, THICK FILM, 0805,	3	R321, R339, R451
RE-152302-GP	5.23K, 1 PCNT, 1/10W, THICK FILM, 0805,	1	R303
RE-156004-GP	5.6K, 1 PCNT, 1/10W, THICK FILM, 0805,	2	R352, R357
RE-159003-GP	5.9K 1% 1/10W THK FLM 0805	2	R96, R98
RE-162001-GP	6.2K, 1 PCNT, 1/10W, RMG, 0805,	1	R348
RE-164901-GP	6.49K, 1 PCNT, 1/10W, RMG, 0805,	2	R333, R48
RE-169802-GP	6.98K, 1 PCNT, 1/10W, THK FLM, 0805, 100V	1	R312
RE-191001-GP	9.1K, 1 PCNT, 1/10W, RMG, 0805,	1	R340
RE-210007-GP	10K 1% 1/10W THK FLM 0805	11	R1, R122, R3, R320, R329, R336, R342, R442, R7, R80, R85
RE-211305-GP	11.3K .1% 1/10W RMG 0805	4	R304, R305, R309, R310
RE-212003-GP	12K 1% 1/10W THK FLM 0805 100V	1	R431
RE-212004-GP	12K, 1 PCNT, 1/8W, THICK FILM, 1206,	1	R448
RE-213005-GP	13K, 1 PCNT, 1/10W, RMG, 0805,	3	R36, R89, R90
RE-215003-GP	15K, 1 PCNT, 1/10W, RMG, 0805,	6	R345, R359, R372, R429, R439, R446
RE-215402-GP	15.4K, 1 PCNT, 1/10W, RMG, 0805,	2	R326, R330

Part Number	Description	Qty	Ref Des
RE-218006-GP	18K, 1 PCNT, 1/10W, THICK FILM, 0805,	4	R391, R413, R414, R91
RE-218702-GP	18.7K, 1 PCNT, 1/10W, THICK FILM, 0805,	2	R308, R311
RE-220005-GP	RMG 1/10W 20K 1% 0805	4	R351, R376, R407, R86
RE-220006-GP	20K, 1 PCNT, 1/10W, THICK FILM, 1206,	1	R38
RE-222001-GP	22K 1% 1/10W 0805	3	R32, R34, R37
RE-227001-GP	27K 1% 1/10W 0805	1	R349
RE-230006-GP	30K, 1 PCNT, 1/10W, THICK FILM, 0805,	2	R394, R4
RE-230104-GP	30.1K 1% 1/8W RMG 1206	3	R40, R5, R87
RE-230105-GP	30.1K, 1 PCNT, 1/10W, THICK FILM, 0805,	1	R53
RE-236001-GP	36K, 1 PCNT, 1/10W, RMG, 0805,	1	R355
RE-239204-GP	39.2K, 1 PCNT, 1/10W, THICK FILM, 0805,	3	R315, R325, R356
RE-247006-GP	47K 1% 1/10W THK FLM 0805 100V	4	R314, R377, R69, R76
RE-251001-GP	51K, 1 PCNT, 1/10W, RMG, 0805,	1	R422
RE-275005-GP	75K, 1 PCNT, 1/10W, RMG, ,	2	R370, R405
RE-291001-GP	91K, 1 PCNT, 1/10W, RMG, 0805,	2	R367, R438
RE-310007-GP	100K 1% 1/10W THK FLM 0805	4	R306, R350, R363, R409
RE-310008-GP	100K 1% 1/8W THK FLM 1206	5	R10, R31, R83, R92, R94
RE-312006-GP	120K 1% 1/10W RMG 0805	2	R386, R399
RE-315006-GP	150K, 1 PCNT, 1/10W, THICK FILM, 0805,	2	R324, R374
RE-320006-GP	200K, 1 PCNT, 1/10W, THICK FILM, 0805,	1	R322
RE-349901-GP	499K 1% 1/8W THICK FILM 1206	1	R82
RE-410003-GP	1M 1% 1/10W RMG 0805	4	R13, R55, R84, R99
SC-000079-GP	SCREW, MACH, M4X19, , , BLACK, ZN	2	
SC-000080-GP	METAL SCREW, M4*14, TTP/B, , ,	20	
SC-000081-GP	T3X8MM, SELF TAPPING, , , ,	2	
SC-000082-GP	SCREW, BIND, HEAD, M3.2 X 8, , B-TITE,	6	
SC-000083-GP	SCREW, BIND, HEAD, M3.5 X 16, , B-TITE,	10	
SC-000084-GP	SCREW, BIND, SERRATED HEAD, M4X25, B-TITE,	4	
SC-000085-GP	SELF SCREW, 3X8, WITH, SERRATED HEAD, , ,	2	
SC-000086-GP	SCREW, M8X101.5, BZ, , , ,	1	
SC-030002-GP	M3 B-TITE FLAT-CS	2	
SC-030004-GP	M3 X 8 BLK MACHINE	6	
SC-030008-GP	SCREW M3X6 BLK TAP	4	
SW-000088-GP	ROCKER POWER SWITCH	1	
SW-000093-GP	CIRCUIT BREAKER, 5 AMP, , ,	1	
SW-000122-GP	SWITCH, 1P2T, , ,	1	SW302
SW-000123-GP	SWITCH, 2P2T, , ,	1	SW301
WC-000188-GP	SLEEVE, PVC, 5MM ID, BLK	0	
WC-000410-GP	UL1672, AWG#18, BROWN, , , , ,	0	
WC-000411-GP	UL1672, AWG#18, BLUE, , , , ,	0	
WC-000412-GP	GRND WIRE, UL1015 #14, , , , ,	1	
WC-000413-GP	WIRE-FLAT, 10P P1.5 #26, , , , ,	3	J303, J305B, J306
WC-000423-GP	SHRINKAGE TUBE, ID=6MM, UL, , , , ,	0	
XF-000293-GP	POWER TRANSFORMER, 120V, , , , HPR SERIES, ,	1	

Part Number	Description	Qty	Ref Des
CA-005001-GP	5P, +0.25P, 100V, CTC, 0805, 0/30	1	C39
CA-015005-GP	15PF, 5 PCNT, 50V, CERAMIC, 0805,	2	C368, C369
CA-033003-GP	33PF, 5%, 50V, CC, 0805, 1.2X	3	C11, C12, C307
CA-110005-GP	CC 50V 100PF 5% 0805 1.2	1	C47
CA-110007-GP	100P, 5%, 100V, CTC, 0805, 0/30	1	C49
CA-122005-GP	CC 50V 220PF 5% 0805	3	C42, C45, C6
CA-147006-GP	470PF 5% 50V CER NPO	2	C302, C303
CA-156002-GP	560P, 5%, 50V, CM, , RLT P5.0	3	C362, C364, C366
CA-210016-GP	0.001U, 5%, 63V, CM, , RBT 7.5	3	C348, C351, C352
CA-222015-GP	2200P, 5%, 50V, CTC, 0805, 0/30	1	C40
CA-233009-GP	3300P, 5%, 100V, CTC, 1206, 0/30	1	C4
CA-233010-GP	3300P, 5%, 63V, CM, , RBT, 7.5X	3	C338, C340, C341
CA-247005-GP	.0047UF, 5 PCNT, 50V, FILM, DIPPED,	3	C331, C333, C365
CA-310010-GP	0.01U, 5%, 63V, CM, , RBT 7.5X	5	C324, C328, C353, C356, C357
CA-315001-GP	0.015U, 5%, 63V, CM, , RBT	1	C360
CA-322011-GP	0.022U, 5%, 63V, CM, , RBT	5	C342, C345, C346, C358, C363
CA-410014-GP	0.1UF 10% 50V CER X7R 0805	17	C17, C22, C27, C301, C304, C305, C309, C310, C316, C317, C319, C33, C34, C370, C43, C50, C7
CA-410018-GP	CM 250V .1UF 5% RL	2	C8, C9
CA-410024-GP	CC 200V 0.1U 5% 1210	1	C38
CA-415006-GP	.15UF, 5 PCNT, 200V, CC, 1210,	1	C2
CA-422010-GP	0.22U, 10%, 50V, CC, 0805,	2	C10, C30
CA-422011-GP	0.22U, 5%, 63V, CM, , RBT, 7.5X	8	C311, C313, C320, C321, C327, C330, C334, C336
CA-510016-GP	1U, 10%, 25V, CC, 0805,	1	C314
CA-510017-GP	1UF, 20 PCNT, 50V, CC, SMT, 1210	2	C24, C25
CA-610009-GP	CE 35V 10UF 20% RL 5 X 11	1	C35
CA-622010-GP	22UF, 20%, 35V, CE, , RLT, 5x11	1	C36
CA-647006-GP	CE 16NP 47UF 20% RL	5	C1, C308, C326, C337, C37
CA-722007-GP	220UF, 20 PCNT, 25V, CE, RL,	1	C318
CA-747009-GP	470UF, 20%, 16V, CE, , RLT	2	C322, C323
CA-810007-GP	1000UF, 20%, 25V, CE, , RLT	2	C18, C19
CA-868002-GP	6800UF, 20 PCNT, 63V, CE, RL,	4	C13, C14, C15, C16
CH-000173-GP	COVER, XFMR, STEEL, LARGE	1	
CH-000425-GP	PANEL-LEFT (AC), BLACK, , HPR,	1	
CH-000484-GP	PANEL-INPUT, BLACK 152, , HPR,	1	
CH-000489-GP	PLATE-SPRING STEEL, , , ,	4	
CH-000490-GP	HEATSINK, 381X189.2X38.1, , HPR,	1	
CO-000058-GP	XLR, CONNECTOR, 3PM, , ,	1	J301
CO-000204-GP	CONN XLR F VERT PLASTIC	1	J302
CO-000211-GP	AC INLET 250V 15A	1	
CO-000213-GP	CONN 2 PIN STRAIGHT WAFER	1	J304A
CO-000214-GP	CONN 3 PIN STRAIGHT WAFER	1	J3
CO-000281-GP	HDR 6.3MM CNTR 6P(2X3)MALE	2	J2, J4
CO-000349-GP	WIRE HOLDER, RIBBON CABLE, 10 POS, FEMALE,	3	J303, J305B, J306
CO-000350-GP	WIRE TRAP, RIBBON CABLE, 10 POS, FEMALE, RELEASEABLE	3	J305A, J5, J6
HW-000075-GP	FUSE HOLDER, , , , ,	2	F1, F3
HW-000102-GP	BRASS POST, D6X10, , , ,	3	
HW-000103-GP	BRASS POST, D6X8, , , , ,	4	
IC-000075-GP	IC VOLTAGE REG, +5, LM78L05, SMT,	1	U310
IC-000076-GP	IC LM339, SMD COMPARATORS, , ,	1	U2
IC-000077-GP	IC LM13700M, , , SMT,	1	U305
IC-000078-GP	IC LM19, THERMAL SENSOR, , TO-92,	1	U4
IC-000079-GP	IC MC33078, OP-AMP, , SMT,	3	U1, U302, U8
IC-000377-GP	IC 7805, REGULATOR, 5V, ,	1	U3
IC-000378-GP	IC LM7915CT, REGULATOR, -15V, ,	1	U6
IC-000379-GP	IC LM7815CT, REGULATOR, 15V, ,	1	U5
IC-000380-GP	IC TL072, OPAMP, DUAL, SO-8,	1	U301
IC-000381-GP	IC TL074CD-SO14, OPAMP, QUAD, SO-14,	5	U303, U306, U308, U309, U311
LB-000530-GP	PC INLAY, WARNING LABEL, , ,	1	
MS-000070-GP	2.5A, FAST ACT 5X20, , ,	1	F3
MS-000073-GP	FUSE, FAST, ACTING 5A, SMT, 1206,	2	F4, F5
MS-000292-GP	FUSE, 6.3A, 5 X 20MM, FAST,	1	F1
NW-000002-GP	SPRING WASHER, 3M, , , , , , ,	4	
NW-000069-GP	SPRING WASHER, M4X1X7, BZ, ,	2	
NW-000070-GP	M3, NUT, , , ,	7	
NW-000071-GP	M4, NUT, , BLACK, ,	2	
NW-000072-GP	NUT, HEX, M4, , ,	1	
NW-000073-GP	FLAT WASHER, M4X0.8X9.7, , ,	4	
NW-040002-GP	SPRING WASHER M4 X 7	1	
NW-040003-GP	I/T WASHER M4X0.4X8, YZ	1	
PC-001534-00	PCB MAIN, HPR, ,	1	
PC-001535-00	PCB, INPUT, HPR, , FULL RANGE	1	
PL-000066-GP	EVA GASKET, 5X500, , , ,	3	
PL-000152-GP	CABLE TIE, ISA	4	
PL-000327-GP	PAD, XFMR, EPDM 40A, 1/8" THK, BLACK,	2	
PL-000391-GP	KNOB, GAIN, HPR SERIES, , ,	1	

Part Number	Description	Qty	Ref Des
PL-000454-GP	INSULATION SHEET IC, , , SILPAD 800, ,	4	
PL-000455-GP	LED HOLDER, LED3-11, , , ,	3	LD301-1, LD302-1, LD303-1
PL-000456-GP	SPRINGSEAT, TRANSISTOR, HPR, NYLON, ,	4	
PL-000457-GP	SPACER, L=4.0, ELM 3, , ,	1	U4
PL-000458-GP	SPONGE CUSHION, , , , ,	2	
PT-110002-GP	TRIM, 100, 20 PCNT, 0.15W, ,	2	VR1, VR3
PT-250003-GP	VR 5K, XVB12111YNPVB25F, , , ,	1	VR301
QD-000201-GP	DIODE LL4148 SM	15	D10, D11, D12, D20, D24, D25, D27, D30, D301, D302, D303, D304, D305, D38, D8
QD-000204-GP	XISTOR NPN 60V 200MA 3904 SOT-23	17	Q11, Q16, Q2, Q3, Q301, Q309, Q311, Q312, Q314, Q315, Q37, Q38, Q41, Q42, Q45, Q50, Q6
QD-000205-GP	XISTOR PNP 40V 0.2A TR3906 SOT-23	15	Q1, Q10, Q17, Q19, Q302, Q304, Q305, Q307, Q308, Q36, Q39, Q40, Q46, Q49, Q7
QD-000206-GP	DIOD RECT FAST, IN4934 AT	8	D1, D2, D32, D33, D34, D35, D4, D5
QD-000208-GP	XISTOR PNP 230V 15A 2SA1943	3	Q12, Q14, Q51
QD-000209-GP	XISTOR NPN 230V 15A 2SC5200	3	Q13, Q15, Q52
QD-000227-GP	BRIDGE RECT 400V 25A	2	BR1, BR2
QD-000260-GP	MOSFET, N-CH, 60V, 52A, 52N06V	2	Q21, Q22
QD-000300-GP	LED SC, 2.9 X 5.4 XL 0.5 BL, , , , ,	1	LD302
QD-000301-GP	LED, 3MM, GREEN SP, , , ,	1	LD303
QD-000302-GP	LED SP, 2.9 X 5.4 XL 0.5 RED, , , , ,	1	LD301
QD-000303-GP	DIODE, BAV21WS 250V, , , , ,	4	D3, D31, D6, D9
QD-000304-GP	DIODE, MUR810 RL 8A, , , , ,	2	D13, D15
QD-000305-GP	DZ 1/2W, 6.2VB RLZ6.2B, , , , SMT,	2	D14, D7
QD-000306-GP	DZ 1/2W, 7.5VB RLZ7.5B LL, , , , SMT,	1	D26
QD-000307-GP	SMD DIODE, ISR154-400, , , , ,	6	D16, D17, D18, D19, D36, D37
QD-000308-GP	TR MMBTA42 NPN SMD, , , , , SOT-23,	3	Q20, Q44, Q5
QD-000309-GP	TR 2SA1837, 100-320 RL, , , , ,	2	Q4, Q43
QD-000310-GP	TR 2SC4793, 100-320-RL, , , , ,	2	Q48, Q9
QD-000311-GP	TR MMBTA92 SOT 23 KEC, , , , , ,	3	Q18, Q47, Q8
RE-.01002-GP	0.1R, 5 PCNT, 2W, RMF, ATS METAL,	9	R115, R116, R117, R25, R26, R27, R28, R29, R30
RE-47006-GP	RMF, 1W, 4R7, 5%, AT,	2	R6, R88
RE-000003-GP	RMG 1/10W 0 OHM 5% 0805	13	R123, R125, R358, R368, R384, R392, R393, R403, R423, R430, R433, R434, R440
RE-001009-GP	10 1% 1/8W THK FLM 1206	2	R337, R338
RE-001012-GP	10OHM, 1/4W, 1%, AT, RMF,	2	R126, R127
RE-001013-GP	10, 1 PCNT, 1/10W, THICK FILM, 0805,	1	R128
RE-004753-GP	RMG 1/10W 47.5 OHM 1% 0805	8	R109, R110, R112, R113, R21, R22, R23, R24
RE-010011-GP	100 1% 1/10W THK FLM 0805 100V	13	R103, R104, R107, R108, R14, R15, R19, R20, R301, R302, R307, R317, R318
RE-018001-GP	180R, 1 PCNT, 1/10W, RMG, 0805,	2	R449, R8
RE-020003-GP	200 1% 1/10W THK FLM 0805 100V	1	R93
RE-040200-GP	402R, 1 PCNT, 1/10W, RMG, 0805,	1	R95
RE-047012-GP	470, 1 PCNT, 1/10W, THICK FILM, 0805,	1	R77
RE-063405-GP	634 OHMS 1% 1/10W 0805	1	R319
RE-091002-GP	910R, 1 PCNT, 1/10W, RMG, 0805,	9	R100, R101, R105, R106, R11, R12, R17, R18, R9
RE-110013-GP	RMG 1/10W 1K 1% 0805	1	R334
RE-115008-GP	1.5K, 1 PCNT, 1/10W, THK FLM, 0805, 100V	1	R383
RE-120004-GP	RMG 1/10W 2K 1% 0805	2	R343, R435
RE-122010-GP	2.2K 1% 1/10W THK FM 0805 100V	2	R102, R16
RE-124001-GP	2.4K, 1 PCNT, 1/10W, RMG, 0805,	4	R2, R344, R35, R81
RE-127001-GP	2.7K, 1 PCNT, 1/10W, RMG, 0805,	2	R313, R385
RE-130006-GP	3K, 1 PCNT, 1/10W, THICK FILM, 0805,	2	R361, R445
RE-130103-GP	RMG 1/10W 3.01K 1% 0805	1	R33
RE-133008-GP	3.3K, 1 PCNT, 1/10W, THICK FILM, 0805,	2	R335, R408
RE-136003-GP	3.6K, 1 PCNT, 1/10W, RMG, 0805,	4	R411, R424, R425, R447
RE-139006-GP	3.9K, 1 PCNT, 1/10W, THICK FILM, 0805,	2	R373, R396
RE-143001-GP	4.3K, 1 PCNT, 1/10W, RMG, 0805,	1	R417
RE-143202-GP	4.32K, 1 PCNT, 1/10W, RMG, 0805,	1	R316
RE-147002-GP	4.7K 1% 1/10W THK FLM 0805	8	R378, R39, R415, R443, R56, R66, R79, R97
RE-147506-GP	4.75K, 1 PCNT, 1/10W, THICK FILM, 0805,	2	R328, R332
RE-151006-GP	5.1K, 1 PCNT, 1/10W, THICK FILM, 0805,	3	R321, R339, R451
RE-152302-GP	5.23K, 1 PCNT, 1/10W, THICK FILM, 0805,	1	R303
RE-156004-GP	5.6K, 1 PCNT, 1/10W, THICK FILM, 0805,	2	R352, R357
RE-159003-GP	5.9K 1% 1/10W THK FLM 0805	2	R96, R98
RE-162001-GP	6.2K, 1 PCNT, 1/10W, RMG, 0805,	1	R348
RE-164901-GP	6.49K, 1 PCNT, 1/10W, RMG, 0805,	2	R333, R48
RE-169802-GP	6.98K, 1 PCNT, 1/10W, THK FLM, 0805, 100V	1	R312
RE-191001-GP	9.1K, 1 PCNT, 1/10W, RMG, 0805,	1	R340
RE-210007-GP	10K 1% 1/10W THK FLM 0805	11	R1, R122, R3, R320, R329, R336, R342, R442, R7, R80, R85
RE-211305-GP	11.3K .1% 1/10W RMG 0805	4	R304, R305, R309, R310
RE-212003-GP	12K 1% 1/10W THK FLM 0805 100V	1	R431
RE-212004-GP	12K, 1 PCNT, 1/8W, THICK FILM, 1206,	1	R448
RE-213005-GP	13K, 1 PCNT, 1/10W, RMG, 0805,	3	R36, R89, R90
RE-215003-GP	15K, 1 PCNT, 1/10W, RMG, 0805,	6	R345, R359, R372, R429, R439, R446
RE-215402-GP	15.4K, 1 PCNT, 1/10W, RMG, 0805,	2	R326, R330
RE-218006-GP	18K, 1 PCNT, 1/10W, THICK FILM, 0805,	4	R391, R413, R414, R91
RE-218702-GP	18.7K, 1 PCNT, 1/10W, THICK FILM, 0805,	2	R308, R311
RE-220005-GP	RMG 1/10W 20K 1% 0805	4	R351, R376, R407, R86
RE-220006-GP	20K, 1 PCNT, 1/10W, THICK FILM, 1206,	1	R38

Part Number	Description	Qty	Ref Des
RE-222001-GP	22K 1% 1/10W 0805	3	R32, R34, R37
RE-227001-GP	27K 1% 1/10W 0805	1	R349
RE-230006-GP	30K, 1 PCNT, 1/10W, THICK FILM, 0805,	2	R394, R4
RE-230104-GP	30.1K 1% 1/8W RMG 1206	3	R40, R5, R87
RE-230105-GP	30.1K, 1 PCNT, 1/10W, THICK FILM, 0805,	1	R53
RE-236001-GP	36K, 1 PCNT, 1/10W, RMG, 0805,	1	R355
RE-239204-GP	39.2K, 1 PCNT, 1/10W, THICK FILM, 0805,	3	R315, R325, R356
RE-247006-GP	47K 1% 1/10W THK FLM 0805 100V	4	R314, R377, R69, R76
RE-251001-GP	51K, 1 PCNT, 1/10W, RMG, 0805,	1	R422
RE-275005-GP	75K, 1 PCNT, 1/10W, RMG, ,	2	R370, R405
RE-291001-GP	91K, 1 PCNT, 1/10W, RMG, 0805,	2	R367, R438
RE-310007-GP	100K 1% 1/10W THK FLM 0805	4	R306, R350, R363, R409
RE-310008-GP	100K 1% 1/8W THK FLM 1206	5	R10, R31, R83, R92, R94
RE-312006-GP	120K 1% 1/10W RMG 0805	2	R386, R399
RE-315006-GP	150K, 1 PCNT, 1/10W, THICK FILM, 0805,	2	R324, R374
RE-320006-GP	200K, 1 PCNT, 1/10W, THICK FILM, 0805,	1	R322
RE-349901-GP	499K 1% 1/8W THICK FILM 1206	1	R82
RE-410003-GP	1M 1% 1/10W RMG 0805	4	R13, R55, R84, R99
SC-000079-GP	SCREW, MACH, M4X19, , , BLACK, ZN	2	
SC-000080-GP	METAL SCREW, M4*14, TTP/B, , ,	20	
SC-000081-GP	T3X8MM, SELF TAPPING, , , ,	2	
SC-000082-GP	SCREW, BIND, HEAD, M3.2 X 8, , B-TITE,	6	
SC-000083-GP	SCREW, BIND, HEAD, M3.5 X 16, , B-TITE,	10	
SC-000084-GP	SCREW, BIND, SERRATED HEAD, M4X25, B-TITE,	4	
SC-000085-GP	SELF SCREW, 3X8, WITH, SERRATED HEAD, , ,	2	
SC-000086-GP	SCREW, M8X101.5, BZ, , , ,	1	
SC-030002-GP	M3 B-TITE FLAT-CS	2	
SC-030004-GP	M3 X 8 BLK MACHINE	6	
SC-030008-GP	SCREW M3X6 BLK TAP	4	
SW-000088-GP	ROCKER POWER SWITCH	1	
SW-000119-GP	CIRCUIT BREAKER, 3A, 230V, HPR,	1	
SW-000122-GP	SWITCH, 1P2T, ,	1	SW302
SW-000123-GP	SWITCH, 2P2T, ,	1	SW301
WC-000188-GP	SLEEVE, PVC, 5MM ID, BLK	0	
WC-000410-GP	UL1672, AWG#18, BROWN, , , , ,	0	
WC-000411-GP	UL1672, AWG#18, BLUE, , , , ,	0	
WC-000412-GP	GRND WIRE, UL1015 #14, , , , ,	1	
WC-000413-GP	WIRE-FLAT, 10P P1.5 #26, , , , ,	3	J303, J305B, J306
WC-000423-GP	SHRINKAGE TUBE, ID=6MM, UL, , , , ,	0	
XF-000294-GP	POWER TRANSFORMER, 230V, , , , HPR SERIES, ,	1	