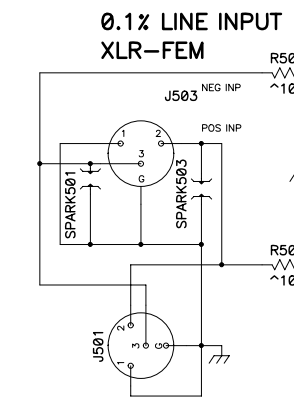
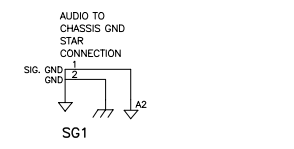
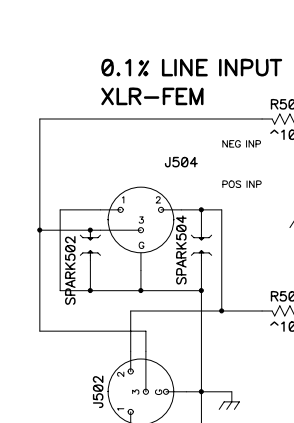




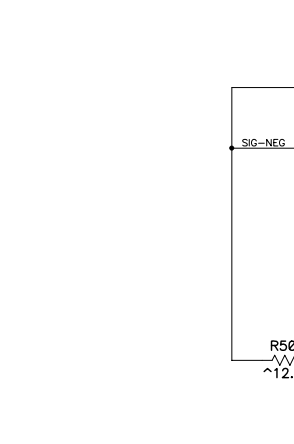
THIS DOCUMENT CONTAINS PROPRIETARY INFORMATION WHICH IS THE PROPERTY OF QSC AUDIO PRODUCTS, THAT MAY NOT BE DISCLOSED, REPRODUCED OR USED WITHOUT EXPRESS WRITTEN CONSENT FROM QSC AUDIO PRODUCTS.



0.1% LINE INPUT XLR-FEM



0.1% LINE INPUT XLR-FEM

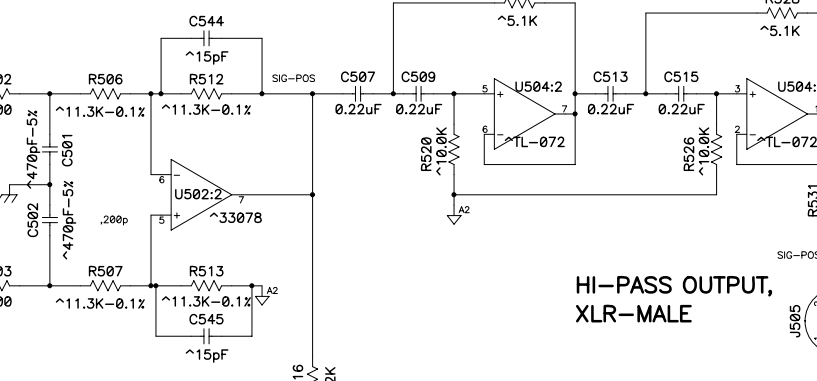


4TH ORDER HP-40Hz



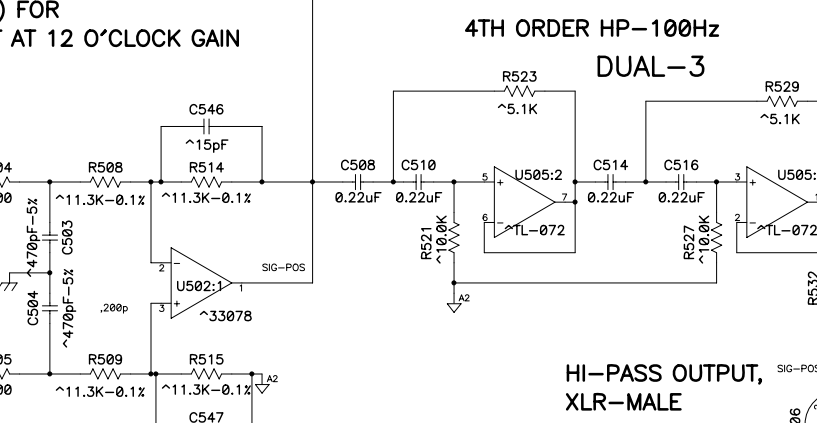
4TH ORDER LP, 100Hz

ADD CHASSIS TIE



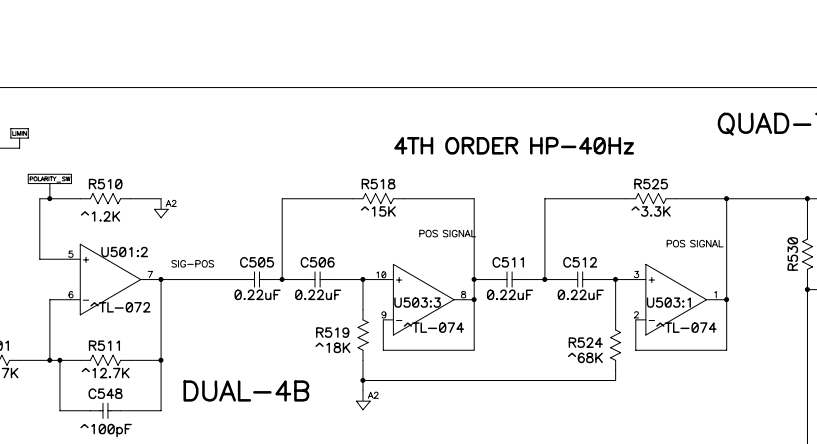
4TH ORDER HP-100Hz

DUAL-2



4TH ORDER HP-100Hz

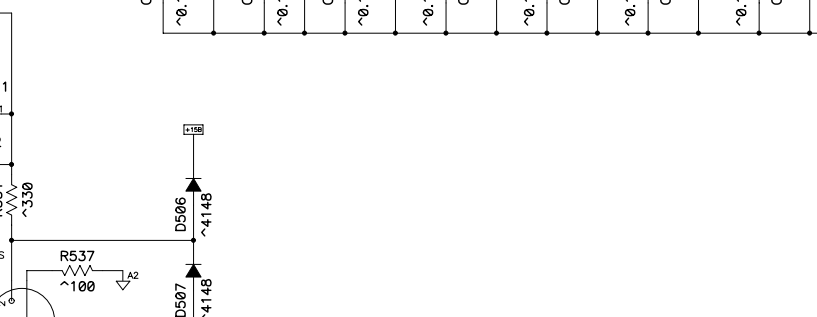
DUAL-3



4TH ORDER HP-100Hz

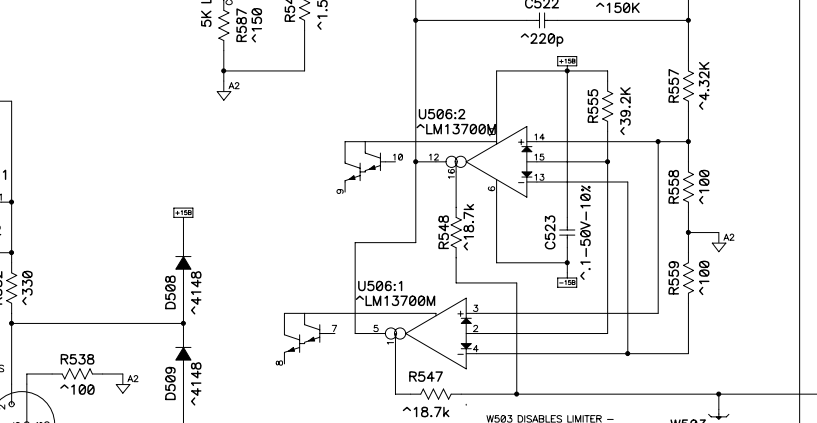
DUAL-1

OP-AMP SUPPLIES



OP-AMP SUPPLIES

DUAL-4A



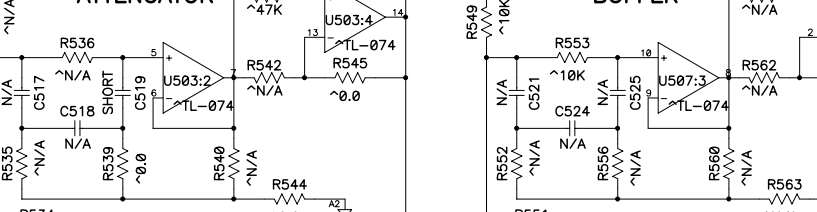
DUAL-4A GAIN BUFFER AND LIMITER

SOLDER SWITCH



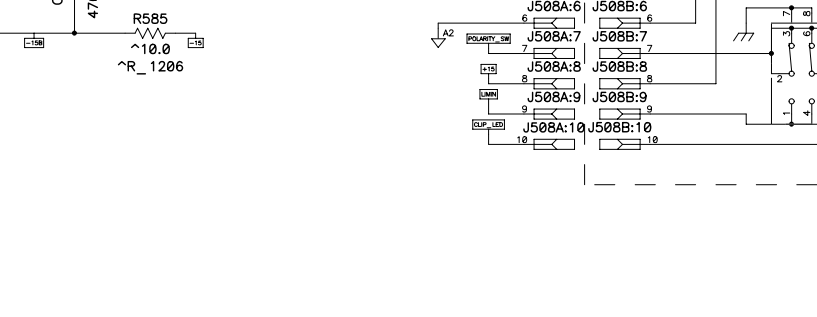
SOLDER SWITCH

LOW FREQ PROCESSING



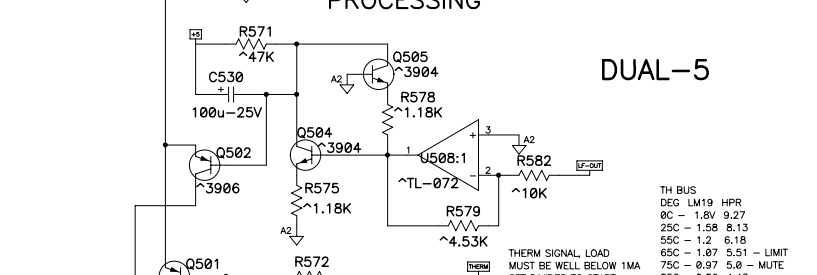
LOW FREQ PROCESSING

TO FRONT MOUNTED LED (SWITCHABLE)



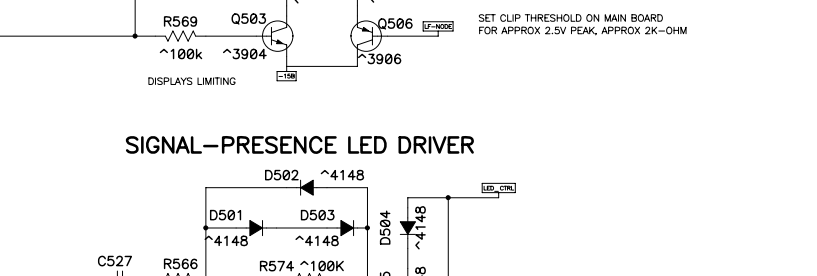
TO FRONT MOUNTED LED (SWITCHABLE)

SWITCH/LED PCB MOUNTS FROM INPUT PCB



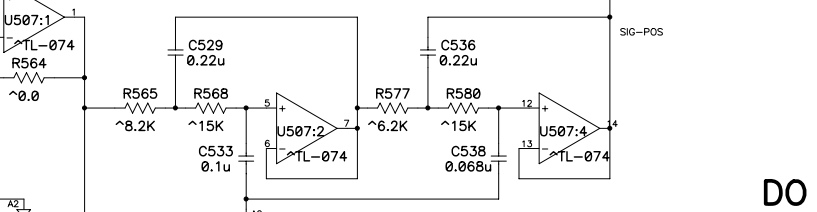
SWITCH/LED PCB MOUNTS FROM INPUT PCB

POLARITY SWITCH



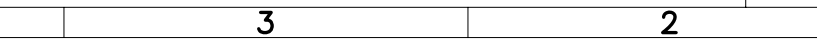
POLARITY SWITCH

LIMITER CONTROL PROCESSING

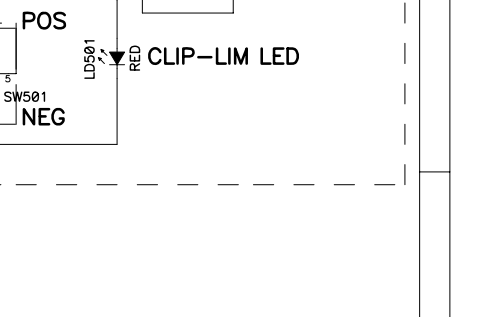


LIMITER CONTROL PROCESSING

SIGNAL-PRESENCE LED DRIVER

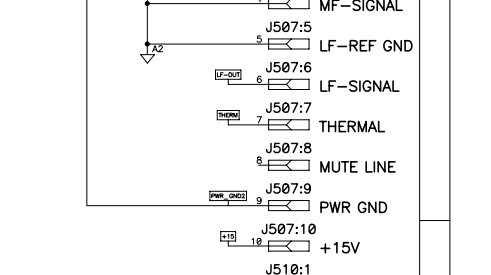


TO FRONT MOUNTED LED (SWITCHABLE)



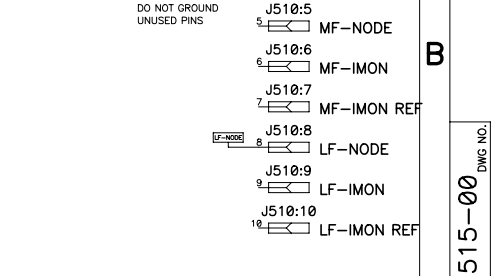
TO FRONT MOUNTED LED (SWITCHABLE)

SWITCH/LED PCB MOUNTS FROM INPUT PCB



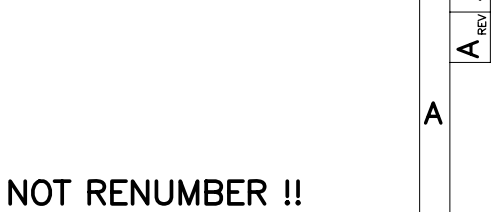
SWITCH/LED PCB MOUNTS FROM INPUT PCB

POLARITY SWITCH



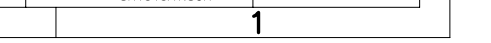
POLARITY SWITCH

LIMITER CONTROL PROCESSING



LIMITER CONTROL PROCESSING

SIGNAL-PRESENCE LED DRIVER



SIGNAL-PRESENCE LED DRIVER

DO NOT RENUMBER !! SEQUENCE STARTS, 501

SIZE	FSCM NO.	DWG NO.	REV
D		SH-001515-00	A
SCALE	CAD FILE NO.	SHEET	
NONE	SH1515A1.SCH	2	

SH-001515-00