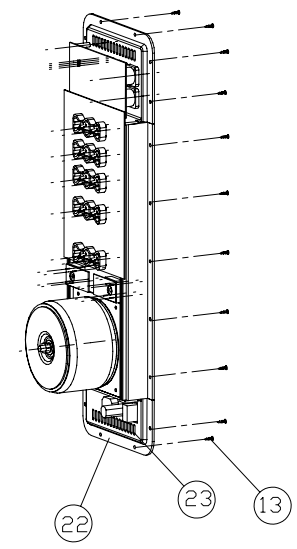
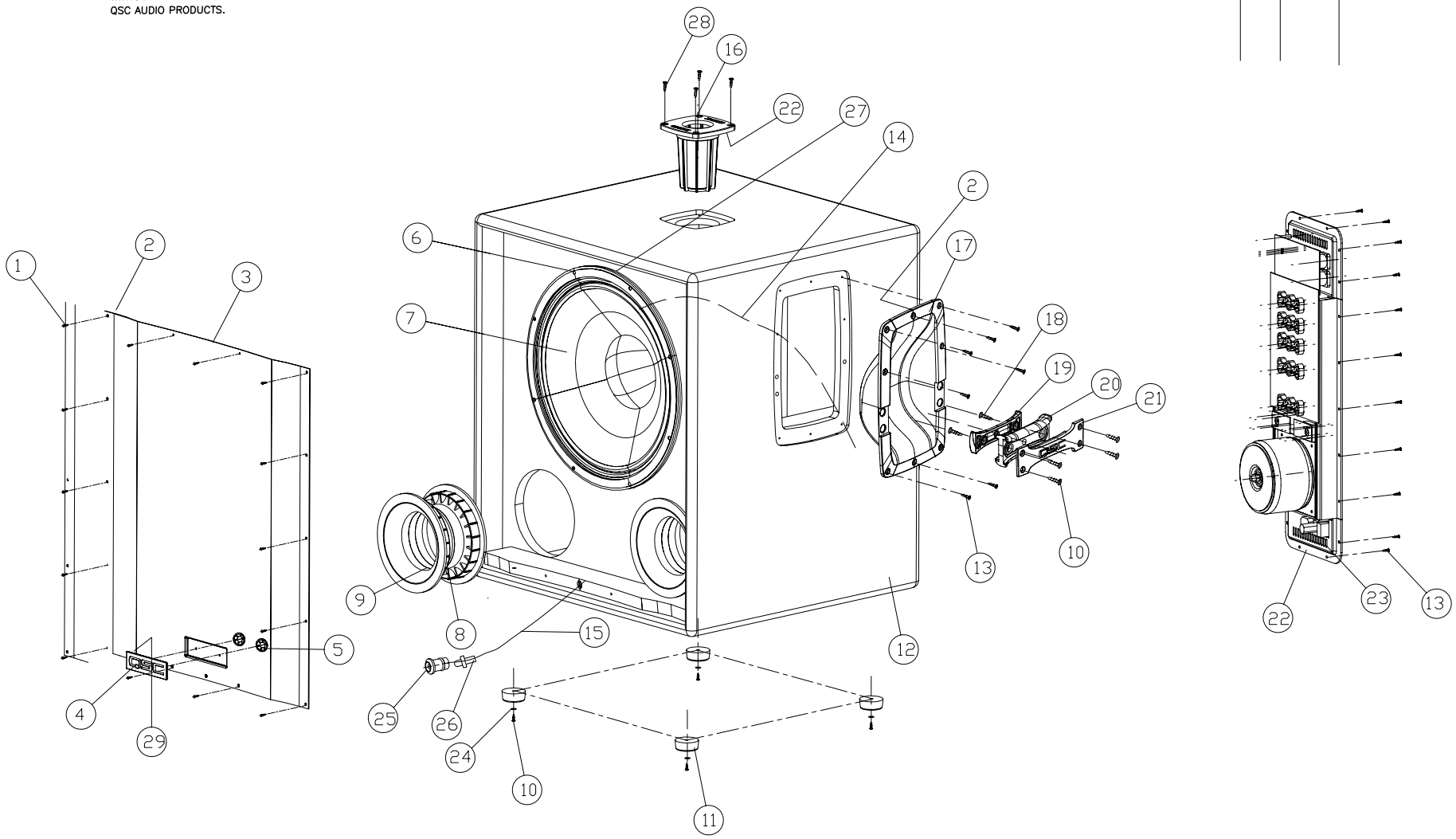




THIS DOCUMENT CONTAINS PROPRIETARY INFORMATION WHICH IS THE PROPERTY OF QSC AUDIO PRODUCTS, THAT MAY NOT BE DISCLOSED, REPRODUCED OR USED WITHOUT EXPRESS WRITTEN CONSENT FROM QSC AUDIO PRODUCTS.

REV	ZONE	DESCRIPTION	DATE
1		DRAWING RELEASE	Aug.06.05
2		UPDATE PART NO.	Nov.07.05



QSC QSC AUDIO PRODUCTS, INC.
1675 MACARTHUR BOULEVARD
COSTA MESA, CA 92626

UNLESS OTHERWISE SPECIFIED : TOLERANCES ARE				MODEL	USAGE	MATERIAL:	SIGNATURE	DATE	TITLE: EXPLODED DRAWING FOR HPR 15IN SUB			
1 decimal place	±0.1mm	31 - 120mm	±0.3mm	HPR 15IN SUB			DRAWN:Huisheng Wu	Jun.28.05	PART NO.			
1 - 5mm	±0.1mm	121 - 315mm	±0.5mm			FINISH:	CHECKED:		SCALE	SIZE	DRAWING NO.	REV 2
6 - 30mm	±0.2mm	OVER 315mm	±0.8mm	ALL DIMENSIONS ARE IN MM		DO NOT SCALE DRAWING	APPROVED:		NTS	A4	Exe_15in_Sub_HPR	PAGE 1 OF 2

Item Number	Component Description	Component Item Number	Qty
1	SCREW,TRUSS HEAD,M4X16,JHC030-00,,	SC-000099-GP	14
2	GASKET,1000X10X2MM,EVA B,,,	PL-000062-GP	5
3	GRILL,,,HPR151W,	CH-000478-GP	1
4	LOGO,HPR SERIES,,,,	PL-000440-GP	1
5	S/L WASHER,M9.7X22X0.5,,,	NW-000105-GP	2
6	SCREW,M5X34,HEX-SOCKET,HEAD DIA 11XH5,BLK,	SC-000095-GP	8
7	WOOFER,15",PAPER,FERRITE,CELESTION,FTR-3070E,T5468_GPE	SP-000079-GP	1
8	PAPER TUBE,FOR HPR 3WAY,15MM,,	MS-000077-GP	2
9	PORT TUBE,FOR HPR,,,,	PL-000071-GP	4
10	SCREW,M5X25,PAN HEAD,DIA 8XH2.5,BLACK,	SC-000094-GP	12
11	FEET,HPR SUBS,,RUBBER,,	PL-000445-GP	4
12	CABINET,FOR HPR15 SUB,,,,	SB-000049-GP	1
13	SCREW WOOD,M4X20,BIND HEAD BZ,,,	SC-000100-GP	36
14	#16 AWG WIRE,UL1015 PIN,T65-6Y-2,,,,	WC-000417-GP	1
15	WIRE,BLACK&BLACK,26 AWG TWIN,,,1080MM,UL2468	WC-000420-GP	1
16	HPR SUB POLE MOUNT	CH-000570-GP	1
17	HANDLE CAP,FOR HPR,,,,	PL-000076-GP	2
18	SCREW,M5X12,PH BLK ZN,,,	SC-000096-GP	4
19	BOTTOM HANDLE,FOR HPR,SIDE HANDLE,,	CH-000523-GP	2
20	RUBBER GRIP,FOR HPR SIDE HANDLE,,,,	PL-000072-GP	2
21	REAR HANDLE,FOR HPR,ENDCAP,,	CH-000493-GP	2
22	EVA GASKET,5X500,,,,	PL-000066-GP	4
23	AMP MODULE,,HPR151W,120V,	WP-001516-00	1
24	SPRING WASHER,M5X1.2X8.5,MM ZNC,,	NW-000107-GP	4
25	LED HOLDER,FOR HPR,,,,	PL-000479-GP	1
26	LED,3MM,BLUE SP,SLR343BB T 225419 ROHM,,,	QD-000312-GP	1
27	GASKET,1300X10X4MM,EVA BK,,,	PL-000063-GP	1
28	SCREW,PH,M5X35MM,BLACK,,	SC-000097-GP	4
29	FOAM STRIP,MP1,406.4X6X4,SP8296,,	PL-000065-GP	1