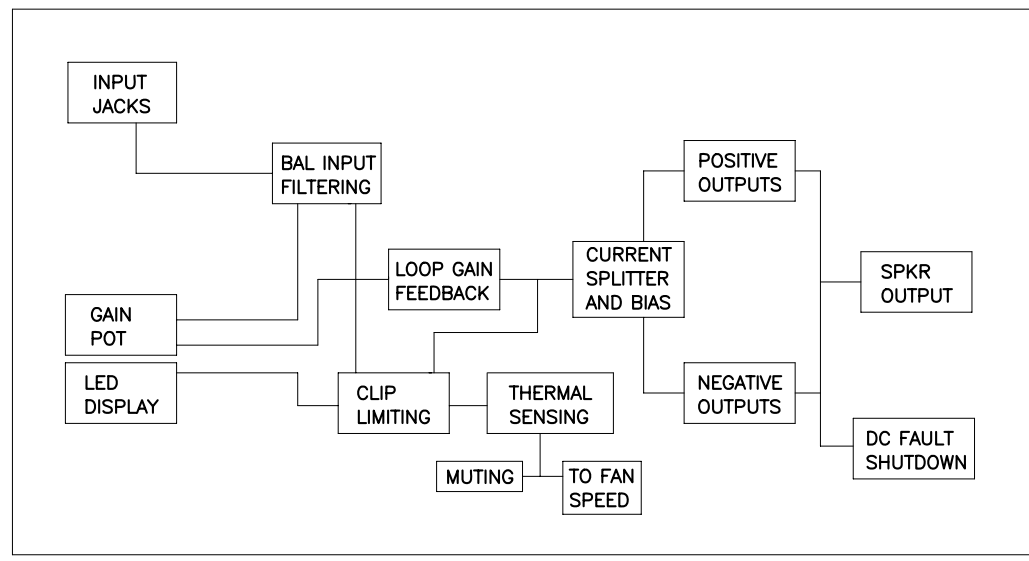
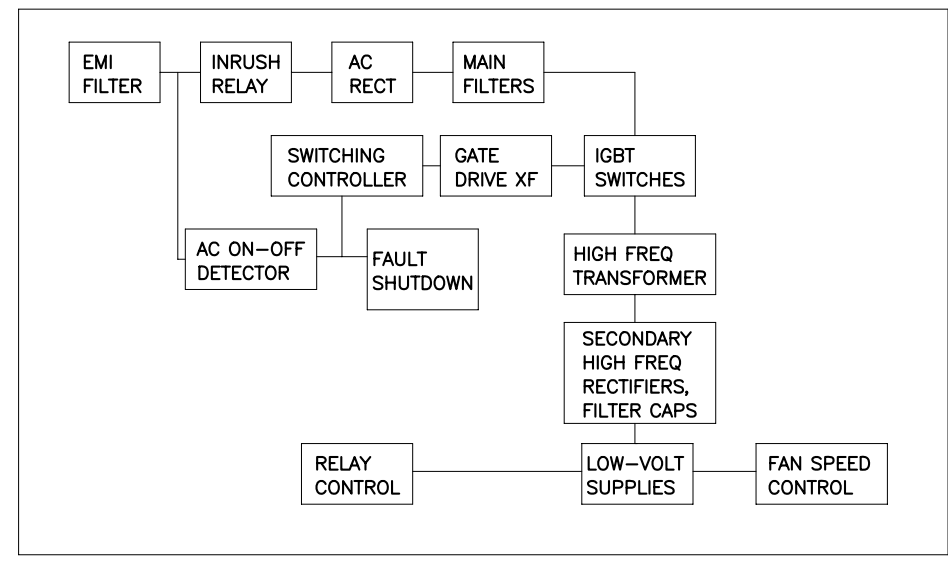


THIS DOCUMENT CONTAINS PROPRIETARY INFORMATION WHICH IS THE PROPERTY OF QSC AUDIO PRODUCTS, THAT MAY NOT BE DISCLOSED, REPRODUCED OR USED WITHOUT EXPRESS WRITTEN CONSENT FROM QSC AUDIO PRODUCTS.

| REVISION |                                 |           |     |               |
|----------|---------------------------------|-----------|-----|---------------|
| REV      | DESCRIPTION                     | EFF. DATE | CHK | APPROVED/DATE |
| A        | PRODUCTION RELEASE PER ECO 7030 | 2-17-06   | RAB | DD            |
| B        | REVISED PER ECO 7067            | 3-10-06   | RAB | DD            |
| C        | REVISED PER ECO 7089            | 3-16-06   | RAB | DD            |
| D        | REVISED PER ECO 7094            | 3-22-06   |     | DD            |



CHANNEL A AND B  
AUDIO CIRCUITS  
SHEET 2



SWITCHING  
POWER  
SUPPLY  
SHEET 3

- 8. ZENER TOLERANCE IS 5%
- 7. SMT CAPACITOR VOLTAGE IS 50V
- 6. SMT RESISTOR WATTAGE RATING IS 0.1W
- 5. RESISTOR WATTAGE RATING IS 1/4W  
FOR RESISTOR WATTAGE RATINGS GREATER THAN 1W, TOLERANCE IS 5%  
FOR RESISTOR WATTAGE RATINGS LESS THAN 1/2W, TOLERANCE IS 1%
- 4. THROUGH-HOLE FILM AND CERAMIC CAPACITOR TOLERANCE IS 10%, VOLTAGE IS 100V
- 3. ELECTROLYTIC CAPACITOR TOLERANCE IS 20%
- 2. COMPONENTS WITH VALUE PREFIXED WITH A "\*" REPRESENT SMT COMPONENTS.
- 1. THIS DRAWING USED IN CONJUNCTION WITH PC-001810-00.PCB.

| TABULATION BLOCK |        |     |              |              |        |              |
|------------------|--------|-----|--------------|--------------|--------|--------------|
| VERSION          | T3     | CB  | J400, 401    | C400         | L400   | R400, 401    |
| 120V             | XF-183 | 15A | N/A          | N/A          | N/A    | N/A          |
| 100V             | 100V   | 15A | N/A          | N/A          | N/A    | N/A          |
| 230V             | XF-183 | 8A  | CO-000009-ZT | CA-518001-00 | XF-271 | RE-005606-10 |

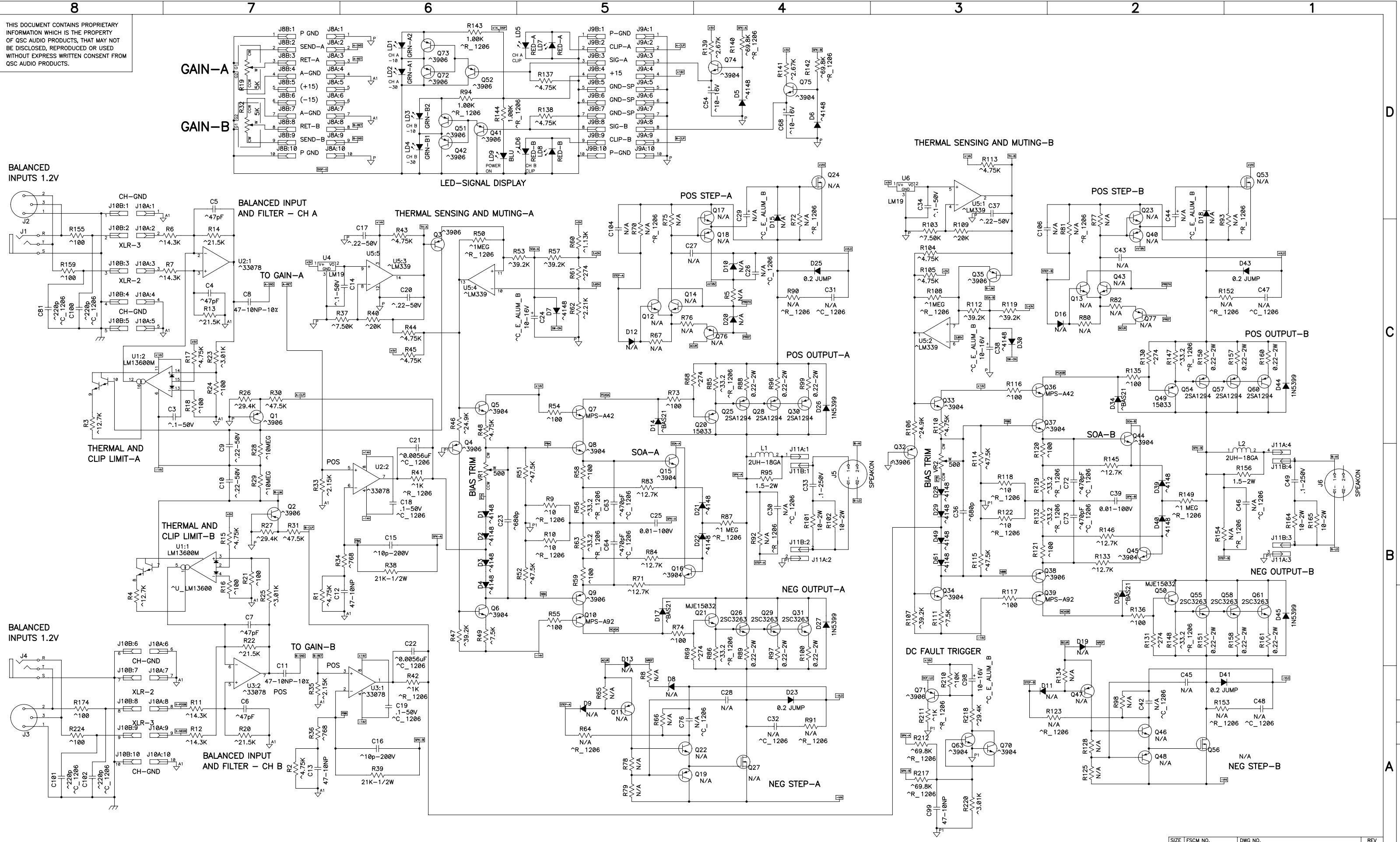
| QTY  | ITEM NO. | PART NO. | DESCRIPTION  | VENDOR |
|--|----------|----------|--|--------|
| PARTS LIST   |          |          |  |        |
| UNLESS OTHERWISE SPECIFIED<br>DIMENSIONS ARE IN INCHES.<br>DIMENSIONS PER ANSI Y14.5-1982<br>TOLERANCES ARE:<br>DECIMALS    DECIMALS    ANGLES<br>.xx ±        .xxx ±        0 |          |          | CONTRACT NO.   |        |
| DEBURR EDGES .XXX R MAX<br>MATERIAL  |          |          | APPROVALS    DATE  |        |
| FINISH   |          |          | DRAWN<br>PAT QUILTER    2-13-2006  |        |
| NEXT ASSY    USED ON   |          |          | CHECKED<br>R. BECKER    2-16-06  |        |
| APPLICATION  |          |          | ISSUED<br>D. DELARM    2-17-06   |        |
| DO NOT SCALE DRAWING   |          |          | SIZE    FSCM NO.    DWG NO.    REV   |        |
|  |          |          | D    NONE    SH-001105-00    D   |        |
|  |          |          | CAD SEED FILE NO.    Wed Mar 22, 2006    SCALE NONE    CAD FILE NO.    SH-001105-00-RevD.sch    SHEET 1 OF 3 |        |

**QSC** AUDIO PRODUCTS, INC.  
COSTA MESA, CALIFORNIA

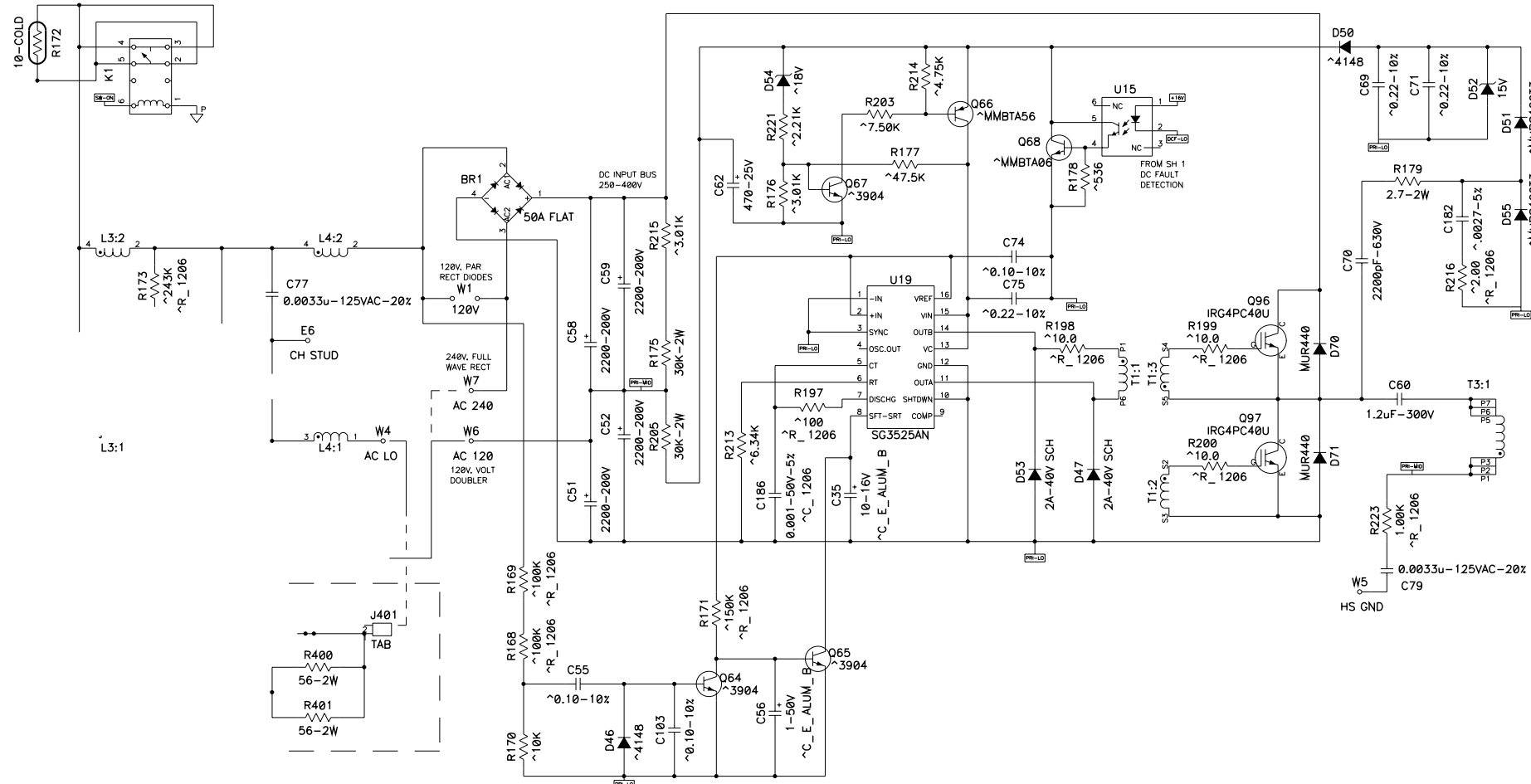
**SCHEMATIC DIAGRAM**  
**PLX1104**

D REV 1 SH-001105-00 DWG NO.

THIS DOCUMENT CONTAINS PROPRIETARY INFORMATION WHICH IS THE PROPERTY OF QSC AUDIO PRODUCTS, THAT MAY NOT BE DISCLOSED, REPRODUCED OR USED WITHOUT EXPRESS WRITTEN CONSENT FROM QSC AUDIO PRODUCTS.



# HIGH FREQUENCY POWER SUPPLY



# SECONDARY-SIDE POWER SUPPLY

