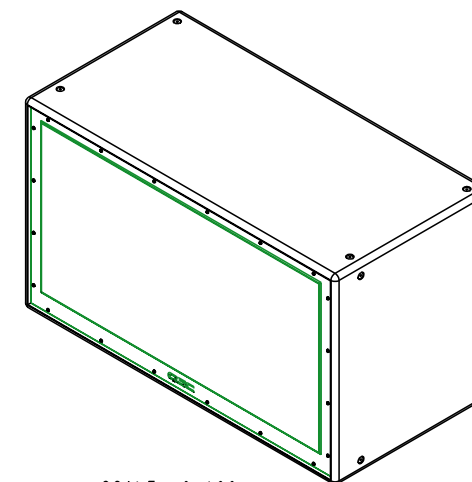
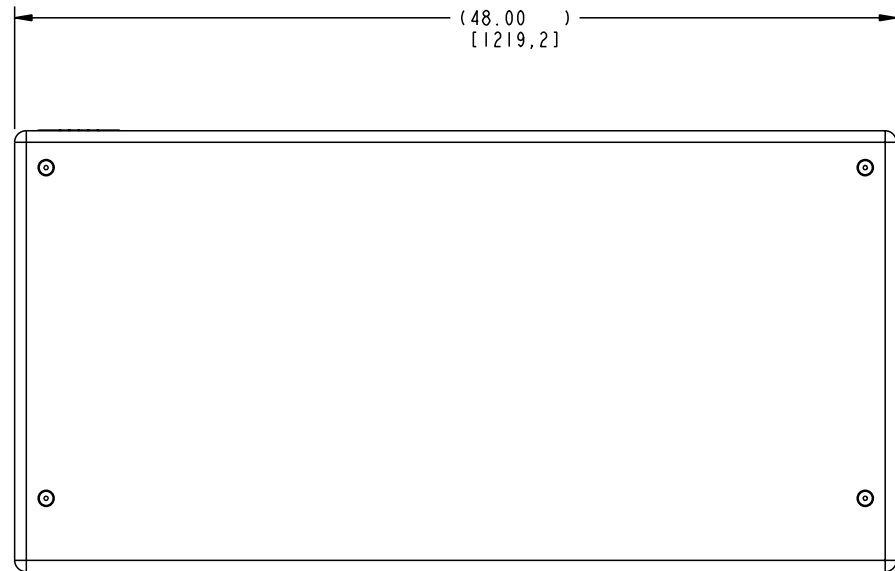
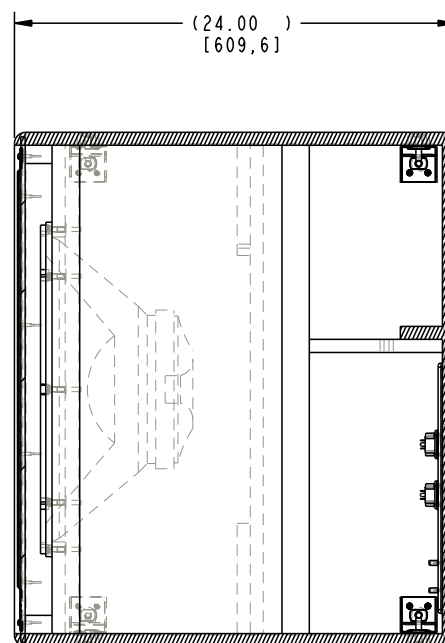
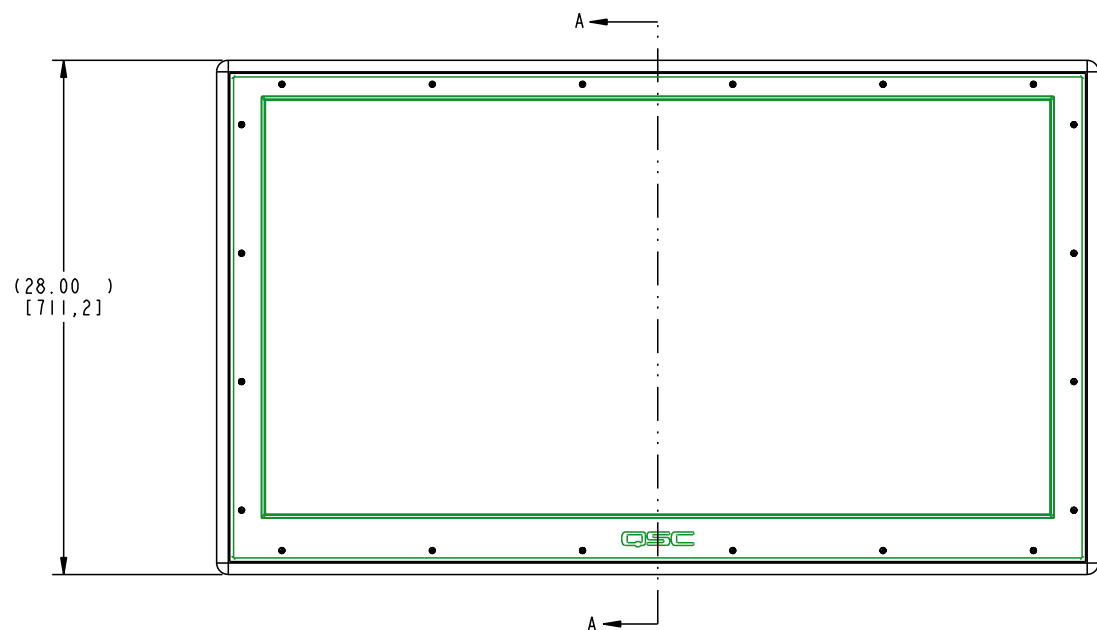


THIS DOCUMENT CONTAINS PROPRIETARY INFORMATION WHICH IS THE PROPERTY OF OSC AUDIO PRODUCTS. THAT MAY NOT BE DISCLOSED, REPRODUCED OR USED WITHOUT EXPRESS WRITTEN CONSENT FROM OSC AUDIO PRODUCTS.

REVISIONS				
REV	DESCRIPTION	EFF DATE	CHK	APPROVED DATE
I	RELEASE FOR QUOTE			
A	PROD REL PER ECO 6408 JEE	11-19-04		DD
B	REVISED PER ECO 6726 MP	8-19-05		DD
BI	REVISED PER ECO 7394 MP	8-25-06		DD



SCALE 0.100



SECTION A-A

TABULATION	
DASH	COLOR
-01	BLACK
-02	WHITE

UNLESS OTHERWISE SPECIFIED DIMENSIONS ARE IN INCHES.		
TOLERANCES ARE:		
DECIMALS	DECIMALS	ANGLES
.XX ± .02	.XXX ± .010	± 1/2
DEBURR EDGES .010 R MAX		
MATERIAL	NONE	
FINISH	NONE	
DO NOT SCALE DRAWING		

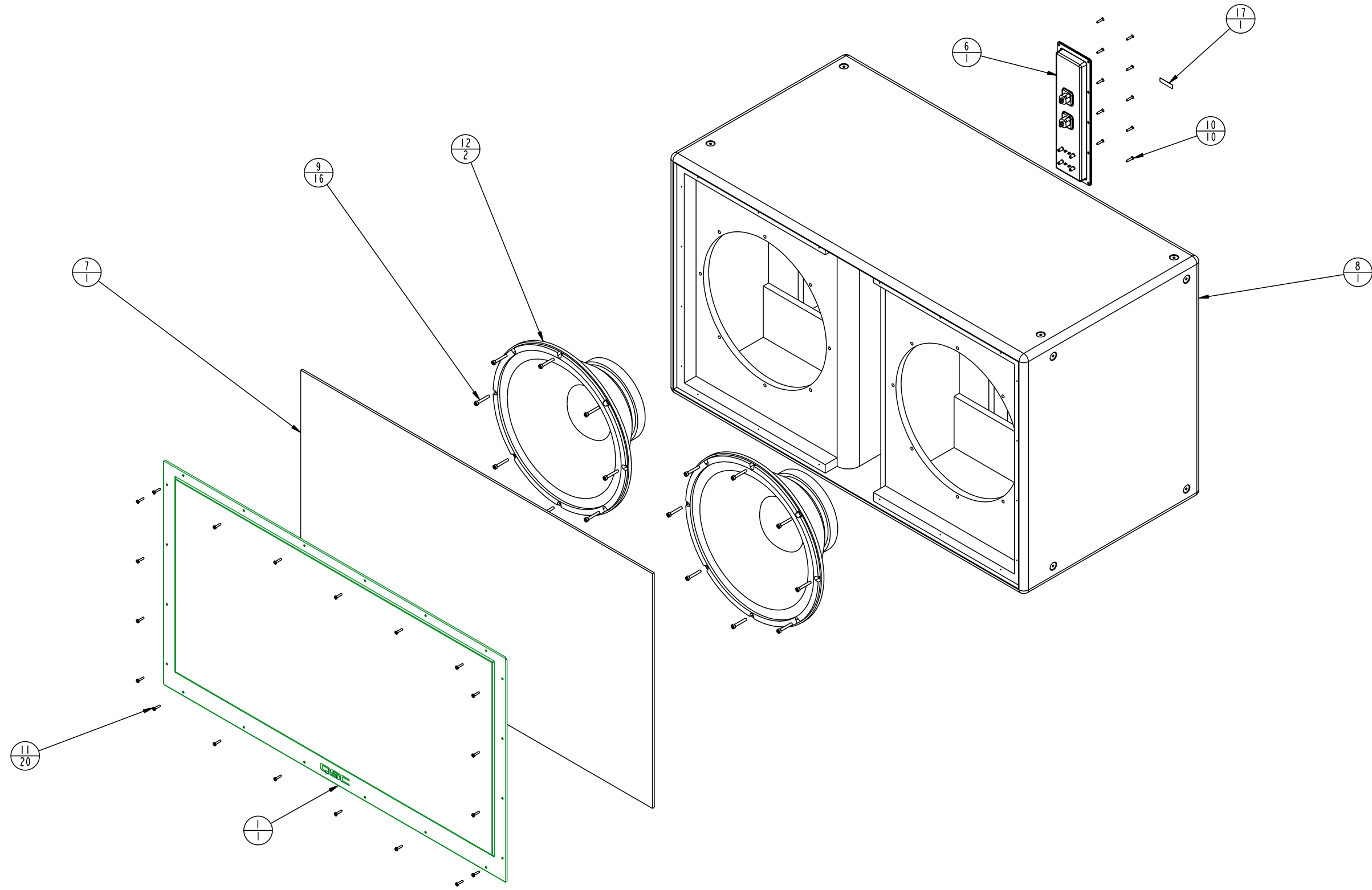
CONTRACT NO.		APPROVALS		DATE
		D. SIMPSON	3-16-04	
		R. BALTHAZAR		
		S. ELIZALDE	11-12-04	
		D. DELARM	11-10-04	

		OSC AUDIO PRODUCTS, INC. 1675 MACARTHUR BOULEVARD COSTA MESA, CA 92626	
SPEAKER, SUBWOOFER, MD-S218			
SIZE	CAGE CODE	DWG NO.	REV
D	OOPW4	WP-021800-XX	BI
SCALE 0.200		SHEET 1 of 2	

NOTE: UNLESS OTHERWISE SPECIFIED

DWG NO. WP-021800-XX
 SHEET 1
 REV BI

THIS DOCUMENT CONTAINS PROPRIETARY INFORMATION WHICH IS THE PROPERTY OF OSC AUDIO PRODUCTS. THAT MAY NOT BE DISCLOSED, REPRODUCED OR USED WITHOUT EXPRESS WRITTEN CONSENT FROM OSC AUDIO PRODUCTS.



SIZE	CAGE CODE	DWG NO.	REV
D	00PW4	WP-021800-XX	B1
SCALE 0.083	WP-021800-XX.B1.0*		SHEET 2 of 2

DWG NO. WP-021800-XX
SH 2
REV B1

DRAWING INFO

Current BOM
as of 29-JAN-07 10.09.18 AM

Assembly Item Number: WP-021800-01	Assembly Description: SPEAKER ASSY,SUBWOOFER,MD-S218,,BLACK	Assembly Revision: B1	Assy Rev Date: 01-SEP-06	Org: COSTA MESA
------------------------------------	---	-----------------------	--------------------------	-----------------

	Part Number	Rev	Description	Item No.	Eff Date	Qty	Op Sequence	Comments	Ref Des
1	CH-000399-01	A1	GRILLE, , , MD-S218, BLACK	1	28-JUL-2004	1.00	200		
2	PA-000097-00	C	TERMINAL CUP ASSY, MD-S218, , ,	6	28-JUL-2004	1.00	200		
3	PL-000370-01	A2	FOAM, GRILL, MD-S218, , ,	7	28-JUL-2004	1.00	200		
4	SB-000033-01	B	ENCLOSURE, , MD-S218, , BLACK,	8	28-JUL-2004	1.00	200		
5	SC-000036-00	B	SOCKET HEAD CAP, , M6, 1.0 X 40 MM, BLACK ZINC W/6107 LUBE, CR111	9	28-JUL-2004	16.00	200		
6	SC-000039-00	B	PHILLIPS, FLAT HEAD, #8-32, 3/4, BLACK ZINC W/6107 LUBE, 100 DEG., CR111	10	28-JUL-2004	10.00	200		
7	SC-000043-00	B	PHILLIPS, ROUND HEAD, #8 X 3/4, , BLACK ZINC W/6107 LUBE, WOOD SCREW, CR111	11	28-JUL-2004	20.00	200		
8	SP-000073-00	C1	WOOFER, 18", , , B&C, 18/101B-8	12	02-SEP-2004	2.00	200		
9	RD-000158-00	K	LABEL, SERIAL NUMBER, SPEAKER, 1.7" X .45" IN-HOUSE	17	01-SEP-2006	0.00	200		
10	TP-021800-01	A	LOUDSPEAKER SYSTEM, TEST SPECIFICATION, MD-S218,	22	25-JUL-2005	0.00	200		