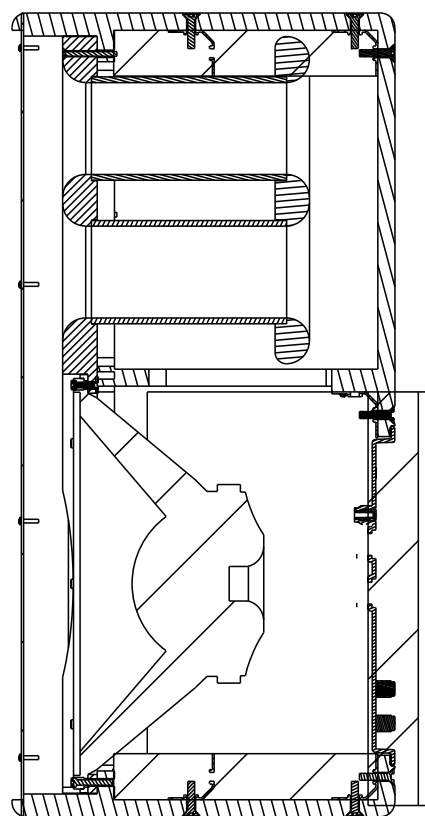
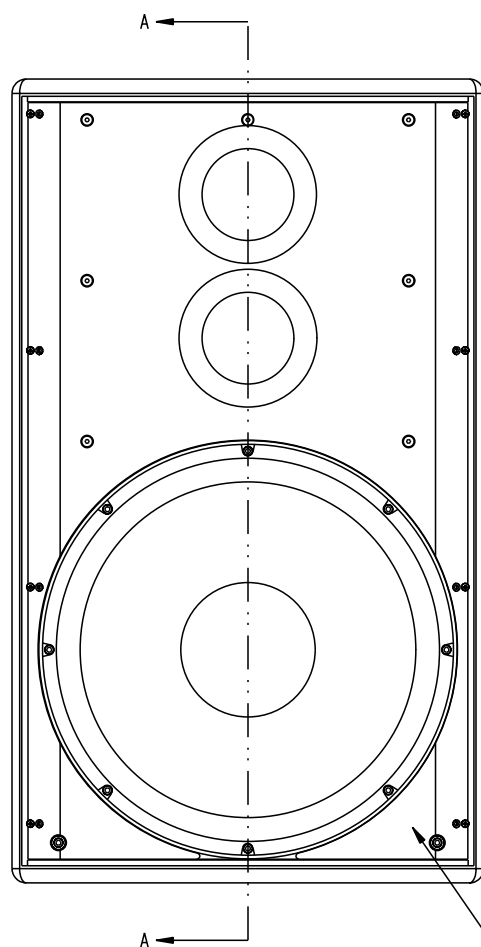
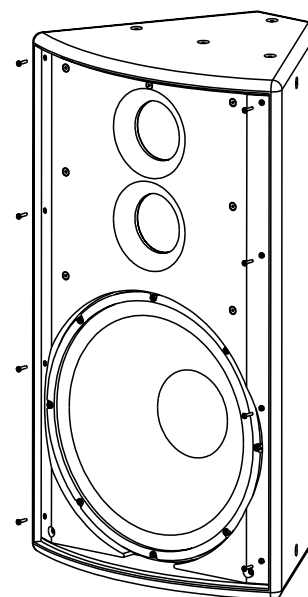
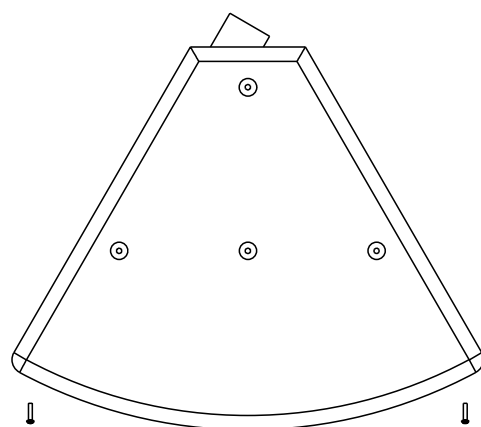


THIS DOCUMENT CONTAINS PROPRIETARY INFORMATION WHICH IS THE PROPERTY OF QSC AUDIO PRODUCTS, THAT MAY NOT BE DISCLOSED, REPRODUCED OR USED WITHOUT EXPRESS WRITTEN CONSENT FROM QSC AUDIO PRODUCTS.

REVISIONS				
REV	DESCRIPTION	EFF DATE	CHK	APPROVED DATE
I	ENGINEERING RELEASE			
A	PRODUCTION REL PER ECO 6013 JEE	12-15-03	RJB	DD
B	REVISED PER ECO 6102 JEE	3-5-04		DD
C	REVISED PER ECO 6335 JEE	9-9-04		DD
D	REVISED PER ECO 6336 JEE	9-10-04		DD
E	REVISED PER ECO 6593 MP	5-27-05		DD
F	REVISED PER ECO 6683 MP	8-15-05		DD
G	REVISED PER ECO 6742 MP	8-19-05		DD
GI	REVISED PER ECO 7394 MP	8-25-06		DD



SECTION A-A

GRILLE NOT SHOWN FOR CLARITY

2. SPRAY ADHESIVE GLUE UNDER DAMPENING MATERIAL AND FOAM.

1. ASSEMBLE ADHESIVE GASKET UNDER WOOFER AND BAFFLE.

NOTE: UNLESS OTHERWISE SPECIFIED

	COLOR
-01	BLACK
-02	WHITE

UNLESS OTHERWISE SPECIFIED DIMENSIONS ARE IN INCHES.  
 TOLERANCES ARE:  
 DECIMALS DECIMALS ANGLES  
 .XX ± .02 .XXX ± .010 ± 1/2  
 DEBURR EDGES .010 R MAX

CONTRACT NO.	
APPROVALS	DATE
DRAWN B. HAWKINS	11-22-03
CHECKED P. WRIGHT	12-18-03
MFG ENG R. BALTHAZAR	12-18-03
ISSUED D. DELARM	

**QSC** QSC AUDIO PRODUCTS, INC.  
 1675 MACARTHUR BOULEVARD  
 COSTA MESA, CA 92626

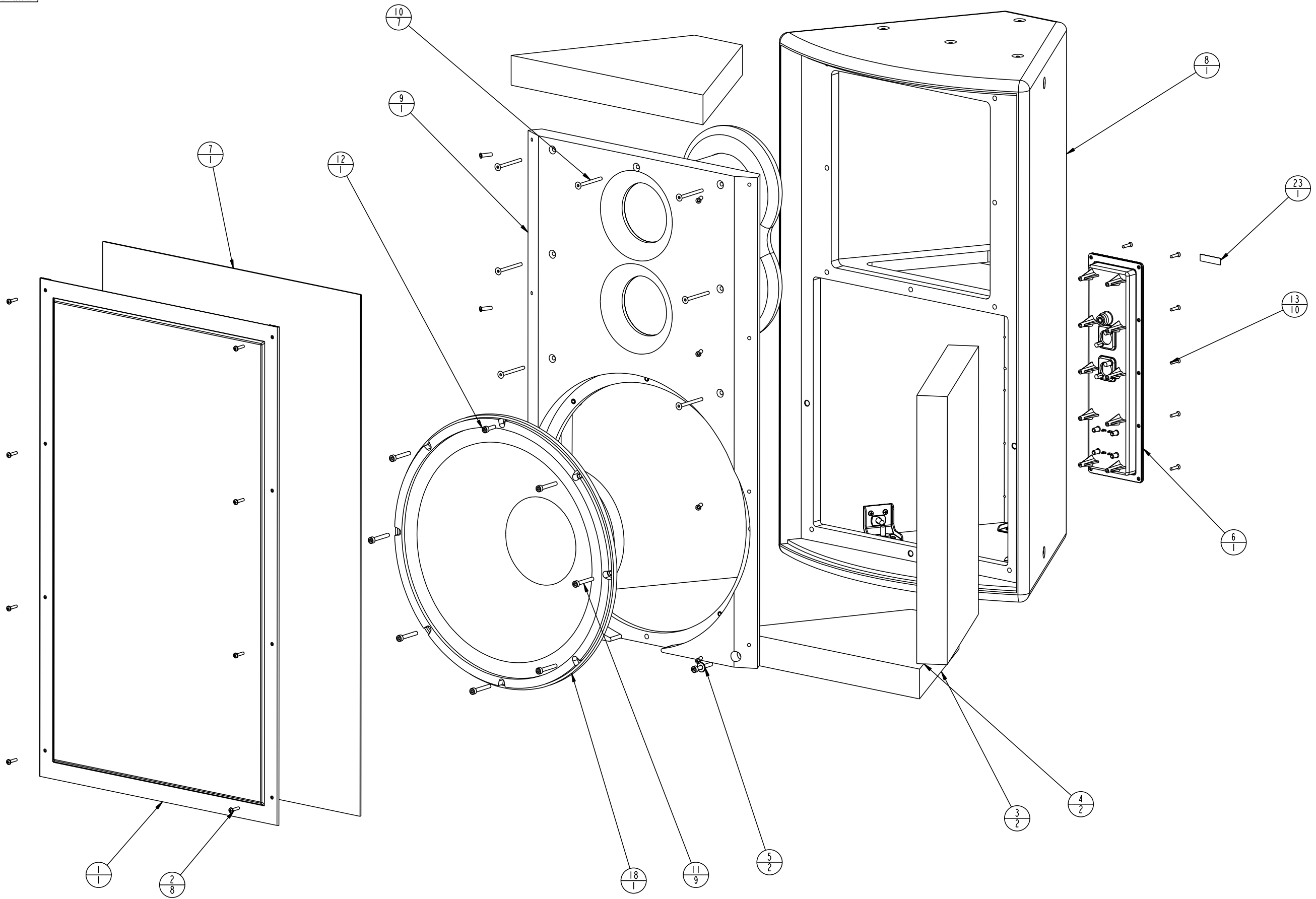
SUBWOOFER, 18", MD SERIES

SIZE	CAGE CODE	DWG NO.	REV
D	OOPW4	WP-001180-XX	G1

DO NOT SCALE DRAWING WP-001180-XX.main.G1.0+ SCALE 0.250 WP-001180-XX.G1.0+ SHEET 1 of 2

DWG NO. WP-001180-XX  
SHEET 1  
REV G1

THIS DOCUMENT CONTAINS PROPRIETARY INFORMATION WHICH IS THE PROPERTY OF OSC AUDIO PRODUCTS. THAT MAY NOT BE DISCLOSED, REPRODUCED OR USED WITHOUT EXPRESS WRITTEN CONSENT FROM OSC AUDIO PRODUCTS.



SIZE	CAGE CODE	DWG NO.	REV
D	00PW4	WP-001180-XX	G1
SCALE 0.167		WP-001180-XX.G1.0*	SHEET 2 of 2

DWG NO. WP-001180-XX  
 SHEET 2  
 REV G1

DRAWING INFO

**Current BOM**  
**as of 17-JAN-07 09.28.11 AM**

Assembly Item Number: WP-001180-01	Assembly Description: SPEAKER ASSEMBLY,18" 2-WAY,MD-L118, BLACK,,SUBWOOFER	Assembly Revision: G1	Assy Rev Date: 01-SEP-06
------------------------------------	--	-----------------------	--------------------------

	Part Number	Rev	Description	Item No.	Eff Date	Qty	Op Sequence	Comments	Ref Des
1	CH-000396-01	B	GRILLE, TWO-PIECE, EMBOSSED, MD SERIES, BLACK	1	03-DEC-2003	1.00	200		
2	SC-000013-00	B	PHILLIPS, PANHEAD SEMS, #8-32, 0.75" L, BLACK ZINC, STAINLESS STEEL, CR111	2	15-AUG-2005	8.00	200		
3	MS-000240-00	A1	INSULATION, FIBERGLASS, DAMPENING WOOD CABINET SPKR, 26" X 11.5" X 2",	3	19-AUG-2005	2.00	200		
4	MS-000241-00	A1	INSULATION, FIBERGLASS, DAMPENING WOOD CABINET SPKR, 26" X 8" X 2",	4	19-AUG-2005	2.00	200		
5	NW-000046-00	B1	WASHER, .625 OD .281 ID, .062 THK, TOL. +/- .010, STEEL BLACK ZINC W/6107 LUBE, CR111	5	21-NOV-2003	2.00	200		
6	PA-000094-00	C	TERMINAL CUP ASSY, MD SERIES LF, 18", ,	6	21-NOV-2003	1.00	200		
7	PL-000359-01	B3	FOAM, GRILL, MD SERIES, , BLACK,	7	21-NOV-2003	1.00	200		
8	SB-000016-01	D	ENCLOSURE, W/RIGGING HARDWARE, MD SERIES, , BLACK,	8	21-NOV-2003	1.00	200		
9	SB-000028-00	C2	BAFFLE, 18" SUBWOOFER, MD SERIES, , ,	9	21-NOV-2003	1.00	200		
10	SC-000034-00	B	SOCKET, FLAT HEAD, M6, 1.0 X 60 MM, BLACK ZINC W/6107 LUBE, CR111	10	21-NOV-2003	7.00	200		
11	SC-000036-00	B	SOCKET HEAD CAP, , M6, 1.0 X 40 MM, BLACK ZINC W/6107 LUBE, CR111	11	21-NOV-2003	9.00	200		
12	SC-000037-00	B	SOCKET HEAD CAP, M6-1.0 X 20MM, , , BLACK ZINC W/6107 LUBE, CR111	12	21-NOV-2003	1.00	200		
13	SC-000039-00	B	PHILLIPS, FLAT HEAD, #8-32, 3/4, BLACK ZINC W/6107 LUBE, 100 DEG., CR111	13	21-NOV-2003	10.00	200		
14	SP-000073-00	C1	WOOFER, 18", , , B&C, 18/101B-8	18	09-SEP-2004	1.00	200		
15	RD-000158-00	K	LABEL, SERIAL NUMBER, SPEAKER, 1.7" X .45" IN-HOUSE	23	01-SEP-2006	0.00	200		
16	TP-001180-01	1	LOUDSPEAKER SYSTEM, TEST SPECIFICATION, MD-L118,	28	25-JUL-2005	0.00	200		

**Current BOM**  
**as of 17-JAN-07 09.27.26 AM**

Assembly Item Number: WP-001180-02	Assembly Description: SPEAKER ASSEMBLY,SUBWOOFER,MD-L118, WHITE,,18" 2-WAY	Assembly Revision: G1	Assy Rev Date: 01-SEP-06	O
------------------------------------	--	-----------------------	--------------------------	---

	Part Number	Rev	Description	Item No.	Eff Date	Qty	Op Sequence	Comments	Ref Des
1	CH-000396-02	B	GRILLE, TWO-PIECE, EMBOSSED, MD SERIES, WHITE	1	23-DEC-2003	1.00	200		
2	MS-000240-00	A1	INSULATION, FIBERGLASS, DAMPENING WOOD CABINET SPKR, 26" X 11.5" X 2",	3	19-AUG-2005	2.00	200		
3	MS-000241-00	A1	INSULATION, FIBERGLASS, DAMPENING WOOD CABINET SPKR, 26" X 8" X 2",	4	19-AUG-2005	2.00	200		
4	NW-000046-00	B1	WASHER, .625 OD .281 ID, .062 THK, TOL. +/- .010, STEEL BLACK ZINC W/6107 LUBE, CR111	5	23-DEC-2003	2.00	200		
5	PA-000094-00	C	TERMINAL CUP ASSY, MD SERIES LF, 18", ,	6	23-DEC-2003	1.00	200		
6	PL-000359-01	B3	FOAM, GRILL, MD SERIES, , BLACK,	7	12-FEB-2004	1.00	200		
7	SB-000016-02	D	ENCLOSURE, W/RIGGING HARDWARE, MD SERIES, , WHITE,	8	23-DEC-2003	1.00	200		
8	SB-000028-00	C2	BAFFLE, 18" SUBWOOFER, MD SERIES, , ,	9	23-DEC-2003	1.00	200		
9	SC-000034-00	B	SOCKET, FLAT HEAD, M6, 1.0 X 60 MM, BLACK ZINC W/6107 LUBE, CR111	10	23-DEC-2003	7.00	200		
10	SC-000036-00	B	SOCKET HEAD CAP, , M6, 1.0 X 40 MM, BLACK ZINC W/6107 LUBE, CR111	11	23-DEC-2003	9.00	200		
11	SC-000037-00	B	SOCKET HEAD CAP, M6-1.0 X 20MM, , , BLACK ZINC W/6107 LUBE, CR111	12	23-DEC-2003	1.00	200		
12	SC-000039-00	B	PHILLIPS, FLAT HEAD, #8-32, 3/4, BLACK ZINC W/6107 LUBE, 100 DEG., CR111	13	23-DEC-2003	10.00	200		
13	SC-000057-00	B	PHILLIPS, PANHEAD SEMS, #8-32, 0.75"L, WHITE, STAINLESS STEEL, CR111	14	15-AUG-2005	8.00	200		
14	SP-000073-00	C1	WOOFER, 18", , , B&C, 18/101B-8	18	09-SEP-2004	1.00	200		
15	RD-000158-00	K	LABEL, SERIAL NUMBER, SPEAKER, 1.7" X .45" IN-HOUSE	35	01-SEP-2006	0.00	200		
16	TP-001180-01	1	LOUDSPEAKER SYSTEM, TEST SPECIFICATION, MD-L118,	40	25-JUL-2005	0.00	200		