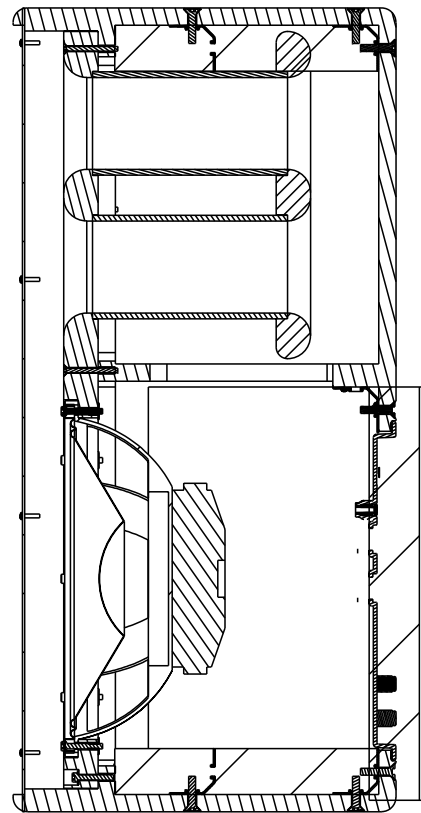
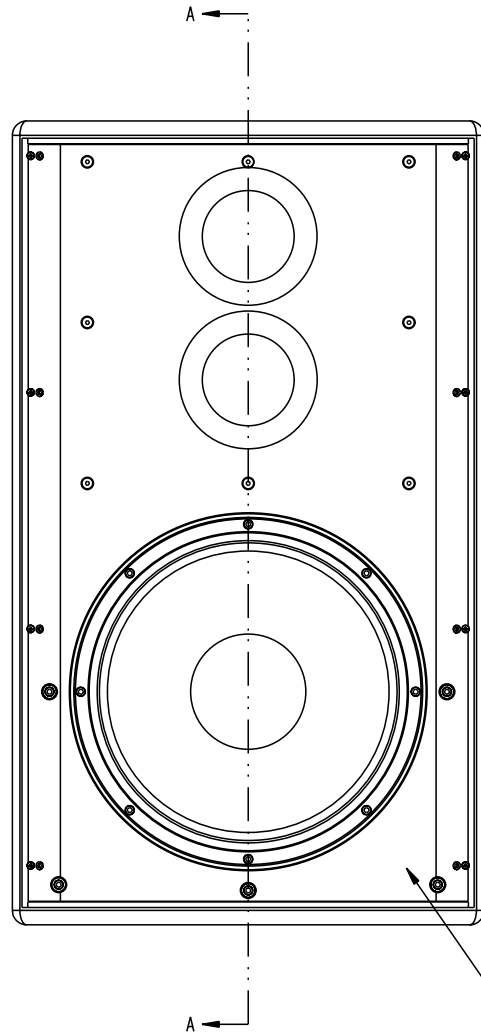
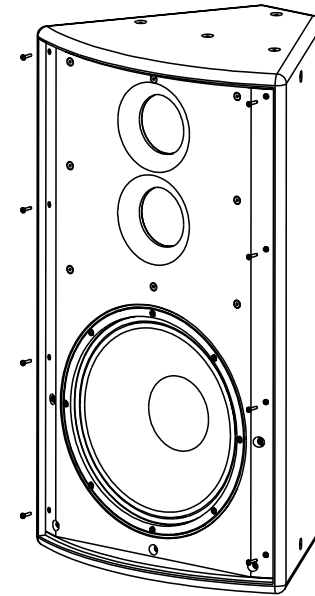
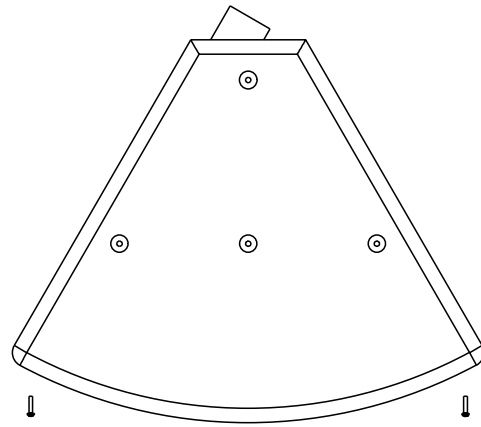


THIS DOCUMENT CONTAINS PROPRIETARY INFORMATION WHICH IS THE PROPERTY OF QSC AUDIO PRODUCTS, THAT MAY NOT BE DISCLOSED, REPRODUCED OR USED WITHOUT EXPRESS WRITTEN CONSENT FROM QSC AUDIO PRODUCTS.

REVISIONS				
REV	DESCRIPTION	EFF DATE	CHK	APPROVED DATE
I	ENGINEERING RELEASE			
A	PRODUCTION REL PER ECO 6013 JEE	12-15-03	RJB	DD
B	REVISED PER ECO 6102 JEE	3-5-04		DD
C	REVISED PER ECO 6336 JEE	9-10-04		DD
D	REVISED PER ECO 6402 JEE	11-4-04		DD
E	REVISED PER ECO 6593 MP	5-27-05		DD
F	REVISED PER ECO 6683 MP	8-15-05		DD
G	REVISED PER ECO 6742 MP	8-19-05		DD
GI	REVISED PER ECO 7394 MP	8-25-06		DD



SECTION A-A

2. SPRAY ADHESIVE GLUE UNDER DAMPENING MATERIAL AND FOAM.

1. ASSEMBLE ADHESIVE GASKET UNDER WOOFER AND BAFFLE.

NOTE: UNLESS OTHERWISE SPECIFIED

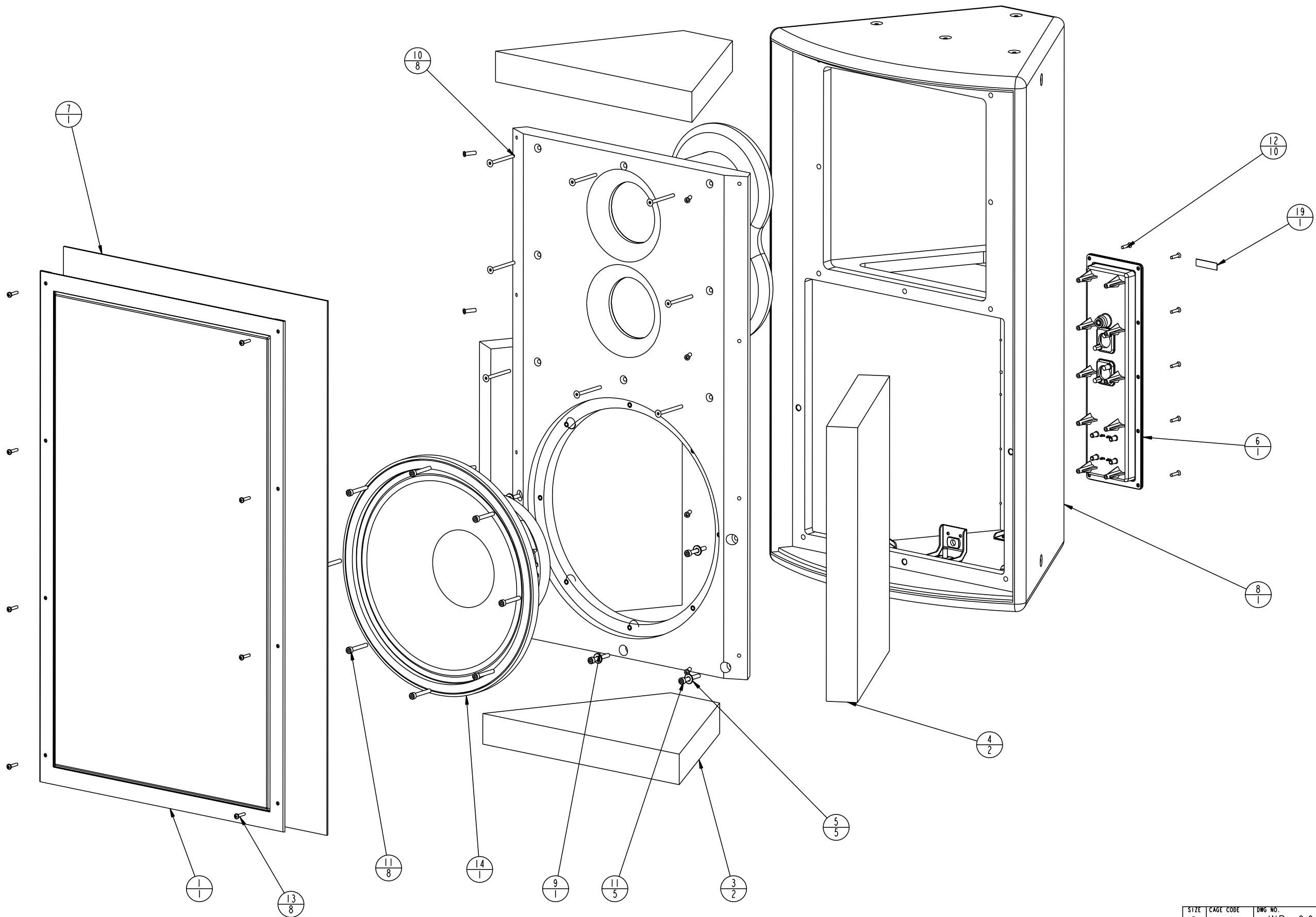
GRILLE NOT SHOWN FOR CLARITY

COLOR	
-01	BLACK
-02	WHITE

UNLESS OTHERWISE SPECIFIED DIMENSIONS ARE IN INCHES.		CONTRACT NO.		QSC AUDIO PRODUCTS, INC. 1675 MACARTHUR BOULEVARD COSTA MESA, CA 92626	
TOLERANCES ARE:		APPROVALS	DATE	SUBWOOFER, 15", MD SERIES	
DECIMALS	DECIMALS	ANGLES			
.XX ± .02	.XXX ± .010	± 1/2			
DEBURR EDGES .010 R MAX					
MATERIAL	NONE	DRAWN	D. SIMPSON	22-Nov-03	
FINISH	NONE	CHECKED	P. WRIGHT	12-18-03	
		MFG ENG	R. BALHAZAR	12-11-03	
		ISSUED	D. DELARM		
DO NOT SCALE DRAWING	WP-001150-XX.main.GI.0+	SCALE	0.250	WP-001150-XX	GI
MODEL INFO		DRAWING INFO		SHEET 1 of 2	

DWG NO. WP-001150-XX
SHEET 1
REV GI

THIS DOCUMENT CONTAINS PROPRIETARY INFORMATION WHICH IS THE PROPERTY OF OSC AUDIO PRODUCTS, THAT MAY NOT BE DISCLOSED, REPRODUCED OR USED WITHOUT EXPRESS WRITTEN CONSENT FROM OSC AUDIO PRODUCTS.



SIZE	CAGE CODE	DWG NO.	REV
D	00PW4	WP-001150-XX	G1
SCALE 0.167		WP-001150-XX.G1.0*	SHEET 2 of 2

DWG NO. WP-001150-XX
SHEET 2
REV G1

Current BOM
as of 17-JAN-07 08.44.16 AM

Assembly Item Number: WP-001150-01	Assembly Description: SPEAKER ASSEMBLY,SUBWOOFER,MD-L115, BLACK,,15" 2-WAY	Assembly Revision: G1	Assy Rev Date: 01-SEP-06	O
------------------------------------	--	-----------------------	--------------------------	---

	Part Number	Rev	Description	Item No.	Eff Date	Qty	Op Sequence	Comments	Ref Des
1	CH-000396-01	B	GRILLE, TWO-PIECE, EMBOSSED, MD SERIES, BLACK	1	03-DEC-2003	1.00	200		
2	MS-000240-00	A1	INSULATION, FIBERGLASS, DAMPENING WOOD CABINET SPKR, 26" X 11.5" X 2",	3	19-AUG-2005	2.00	200		
3	MS-000241-00	A1	INSULATION, FIBERGLASS, DAMPENING WOOD CABINET SPKR, 26" X 8" X 2",	4	19-AUG-2005	2.00	200		
4	NW-000046-00	B1	WASHER, .625 OD .281 ID, .062 THK, TOL. +/- .010, STEEL BLACK ZINC W/6107 LUBE, CR111	5	21-NOV-2003	5.00	200		
5	PA-000093-00	C	TERMINAL CUP ASSY, MD SERIES LF, 15", ,	6	21-NOV-2003	1.00	200		
6	PL-000359-01	B3	FOAM, GRILL, MD SERIES, , BLACK,	7	21-NOV-2003	1.00	200		
7	SB-000016-01	D	ENCLOSURE, W/RIGGING HARDWARE, MD SERIES, , BLACK,	8	21-NOV-2003	1.00	200		
8	SB-000027-00	C2	BAFFLE, 15" SUBWOOFER, MD SERIES, , ,	9	21-NOV-2003	1.00	200		
9	SC-000034-00	B	SOCKET, FLAT HEAD, M6, 1.0 X 60 MM, BLACK ZINC W/6107 LUBE, CR111	10	21-NOV-2003	8.00	200		
10	SC-000036-00	B	SOCKET HEAD CAP, , M6, 1.0 X 40 MM, BLACK ZINC W/6107 LUBE, CR111	11	21-NOV-2003	13.00	200		
11	SC-000039-00	B	PHILLIPS, FLAT HEAD, #8-32, 3/4, BLACK ZINC W/6107 LUBE, 100 DEG., CR111	12	21-NOV-2003	10.00	200		
12	SC-000013-00	B	PHILLIPS, PANHEAD SEMS, #8-32, 0.75" L, BLACK ZINC, STAINLESS STEEL, CR111	13	15-AUG-2005	8.00	200		
13	SP-000074-00	B1	WOOFER, 15", 8 OHM, , B&C 15TBX100,	14	05-NOV-2004	1.00	200		
14	RD-000158-00	K	LABEL, SERIAL NUMBER, SPEAKER, 1.7" X .45" IN-HOUSE	19	01-SEP-2006	0.00	200		
15	TP-001150-01	1	LOUDSPEAKER SYSTEM, TEST SPECIFICATION, MD-L115,	24	25-JUL-2005	0.00	200		