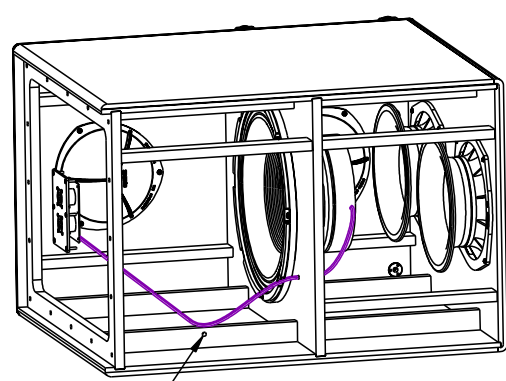
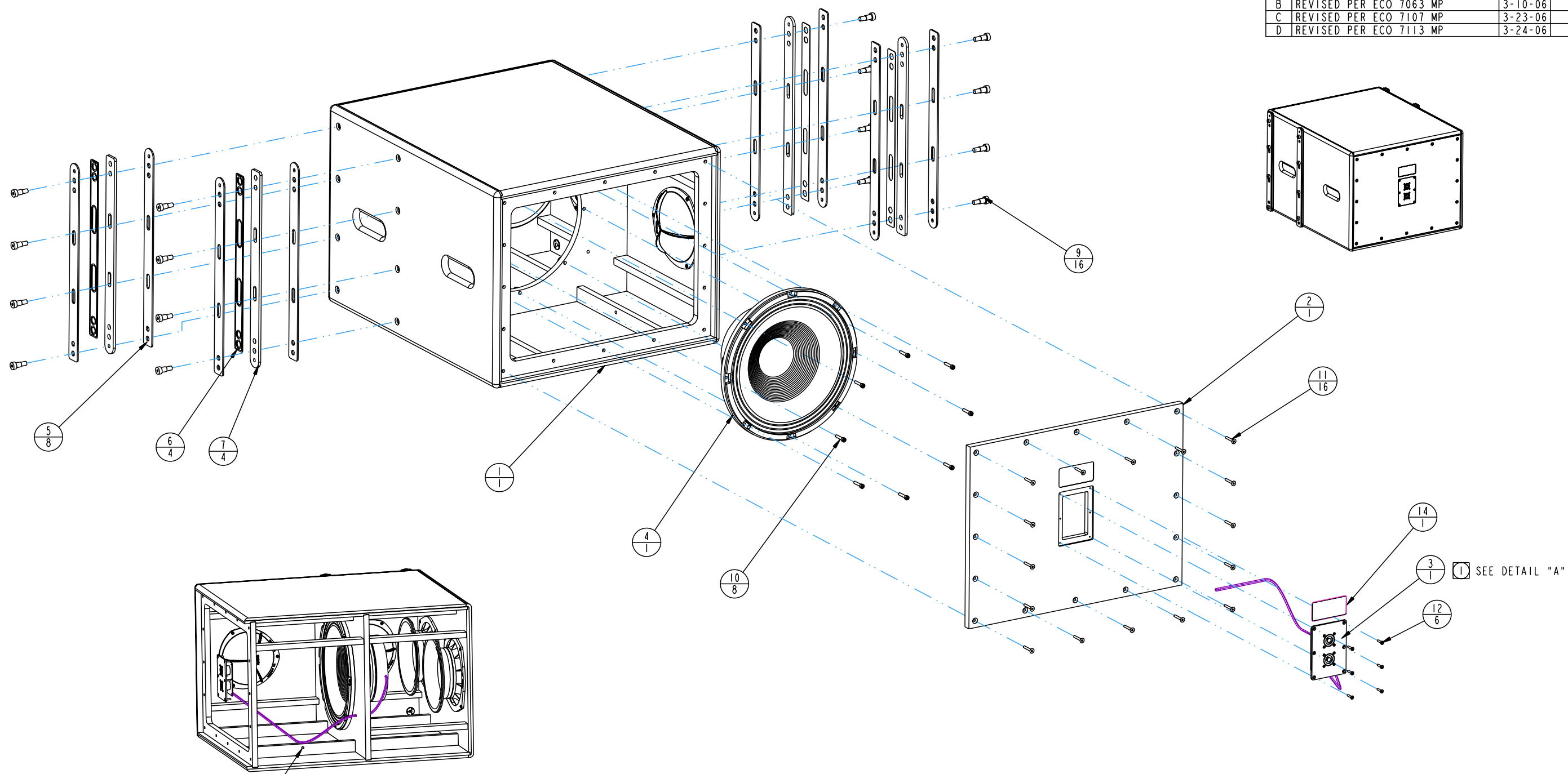


THIS DOCUMENT CONTAINS PROPRIETARY INFORMATION WHICH IS THE PROPERTY OF QSC AUDIO PRODUCTS, THAT MAY NOT BE DISCLOSED, REPRODUCED OR USED WITHOUT EXPRESS WRITTEN CONSENT FROM QSC AUDIO PRODUCTS.

REVISIONS				
REV	DESCRIPTION	EFF DATE	CHK	APPROVED DATE
A	PROD. RELEASE PER ECO 7040 MP	2-24-06	SE	DD
B	REVISED PER ECO 7063 MP	3-10-06		DD
C	REVISED PER ECO 7107 MP	3-23-06		DD
D	REVISED PER ECO 7113 MP	3-24-06		DD



DETAIL A
SCALE 0.15

① INPUT WIRE TO BE TIE WRAPPED TO HOLE IN BOTTOM SUPPORT AS SHOWN IN DETAIL "A" BEFORE BEING THREADED THROUGH THE SPEAKER BAFFLE.

NOTE: UNLESS OTHERWISE SPECIFIED

MODEL P/N	COLOR
WP-011500-01	BLK
WP-011500-02	WHT

UNLESS OTHERWISE SPECIFIED DIMENSIONS ARE IN INCHES.		CONTRACT NO.		QSC AUDIO PRODUCTS, INC. 1675 MACARTHUR BOULEVARD COSTA MESA, CA 92626	
TOLERANCES ARE:		APPROVALS	DATE	SUB ASSY, WL115-SW	
DECIMALS .XX ± .02	DECIMALS .XXX ± .010	C. IVERSON	28-Feb-06	SIZE D	CAGE CODE OOPW4
ANGLES ± 1/2	DEBURR EDGES .010 R MAX	M. HARRIS	2-16-06	DWG NO. WP-011500-XX	REV D
MATERIAL NONE		S. ELIZALDE	2-16-06	SCALE 0.200	WP-011500-XX.D.0
FINISH NONE		D. DELARM	2-24-06	SHEET 1 of 1	
DO NOT SCALE DRAWING		MODEL INFO WP-011500-XX.main.3.17		DRAWING INFO	

DWG NO. WP-011500-XX
SHEET 1 OF 1
REV D

Current BOM
as of 25-JAN-07 10.01.29 AM

Assembly Item Number: WP-011500-01	Assembly Description: SPEAKER ASSY,BLACK,WL115-sw,,MTS LINE	Assembly Revision: D	Assy Rev Date: 27-MAR-06	Org: COSTA MESA
------------------------------------	---	----------------------	--------------------------	-----------------

	Part Number	Rev	Description	Item No.	Eff Date	Qty	Op Sequence	Comments	Ref Des
1	SA-000002-01	B	ENCLOSURE ASSY, WL115-sw, ISIS, BLACK	1	28-NOV-2005	1.00	200		
2	SB-000046-01	B1	BAFFLE, INPUT, ISIS, WL115-sw, BLACK,	2	28-NOV-2005	1.00	200		
3	PA-000121-00	A	INPUT PLATE ASSY, ISIS, WL115-sw, ,	3	28-NOV-2005	1.00	200		
4	SP-000104-00	A	WOOFER, 15", PAPER, FERRITE, EMINENCE 05-15-021,	4	01-FEB-2006	1.00	200		
5	CH-000470-01	A	STRAP, RIGGING, BLACK, WL115-sw, .125"	5	28-NOV-2005	8.00	200		
6	CH-000472-01	A	STRAP, RIGGING, BLACK, WL115-sw, .250"	6	28-NOV-2005	4.00	200		
7	PL-000451-00	A1	GASKET, RIGGING STRAP, WL115-sw, , ,	7	08-FEB-2006	4.00	200		
8	SC-000076-00	B	SOCKET, HEX HEAD, M12 SHOULDER, M10X1.5X16 L, STEEL, BLK ZINC W/6107 LUBE, CR111	9	28-NOV-2005	16.00	200		
9	SC-000038-00	A1	SOCKET, CAP HEAD, M6 X 1 X 30MM, , BLK ZINC W/6107 LUBE, STAINLESS STEEL, CR111	10	28-NOV-2005	8.00	200		
10	SC-000071-00	A1	SOCKET, FLAT HEAD, M6X1, 35MM, , BLK ZINC W/6107 LUBE, STAINLESS STEEL, CR111	11	28-NOV-2005	16.00	200		
11	SC-000070-00	B	PHILLIPS, FLAT HEAD, #8 X 0.75, 82 DEG, BLACK ZINC W/6107 LUBE, STAINLESS STEEL, CR111	12	28-NOV-2005	6.00	200		
12	LB-000592-00	B1	LABEL, WARNING, , WL115-SW,	14	08-FEB-2006	1.00	200		
13	TP-011500-01	1	LOUDSPEAKER SYSTEM, TEST SPECIFICATION, WL115-sw,	25	06-DEC-2005	0.00	1		
14	RD-000158-00	K	LABEL, SERIAL NUMBER, SPEAKER, 1.7" X .45" IN-HOUSE	30	13-MAR-2006	0.00	1		

Current BOM
as of 18-JUN-07 07.53.23 AM

Assembly Item Number: WP-011500-02	Assembly Description: SPEAKER ASSY,WHITE,WL115-sw,,MTS LINE	Assembly Revision: D	Assy Rev Date: 27-MAR-06	Org: COSTA MESA
------------------------------------	---	----------------------	--------------------------	-----------------

	Part Number	Rev	Description	Item No.	Eff Date	Qty	Op Sequence	Comments	Ref Des
1	SA-000002-02	B	ENCLOSURE ASSY, WK115-sw, ISIS, WHITE	1	28-NOV-2005	1.00	200		
2	SB-000046-02	B1	BAFFLE, INPUT, ISIS, WL115-sw, WHITE,	2	28-NOV-2005	1.00	200		
3	PA-000121-00	A	INPUT PLATE ASSY, ISIS, WL115-sw, ,	3	28-NOV-2005	1.00	200		
4	SP-000104-00	A	WOOFER, 15", PAPER, FERRITE, EMINENCE 05-15-021,	4	01-FEB-2006	1.00	200		
5	CH-000470-02	A	STRAP, RIGGING, WHITE, WL115-sw, .125"	5	28-NOV-2005	8.00	200		
6	CH-000472-02	A	STRAP, RIGGING, WHITE, WL115-sw, .250"	6	28-NOV-2005	4.00	200		
7	PL-000451-00	A1	GASKET, RIGGING STRAP, WL115-sw, , ,	7	08-FEB-2006	4.00	200		
8	SC-000111-00	A	SOCKET, HEX HEAD, M12 SHOULDER, M10X1.5X16L., STEEL, WHITE, CR111,	9	01-FEB-2006	16.00	200		
9	SC-000038-00	A1	SOCKET, CAP HEAD, M6 X 1 X 30MM, , BLK ZINC W/6107 LUBE, STAINLESS STEEL, CR111	10	28-NOV-2005	8.00	200		
10	SC-000110-00	A	SOCKET, FLAT HEAD, M6X1, 35MM, STAINLESS STEEL, WHITE, CR111,	11	01-FEB-2006	16.00	200		
11	SC-000070-00	C	PHILLIPS, FLAT HEAD, #8 X 0.75, 82 DEG, BLACK PHOS W/6219 LUBE, STAINLESS STEEL, CR111	12	28-NOV-2005	6.00	200		
12	LB-000592-00	C	LABEL, WARNING, , WL115-SW,	14	08-FEB-2006	1.00	200		
13	TP-011500-01	1	LOUDSPEAKER SYSTEM, TEST SPECIFICATION, WL115-sw,	25	06-DEC-2005	0.00	1		
14	RD-000158-00	L	LABEL, SERIAL NUMBER, SPEAKER, 1.7" X .45" IN-HOUSE	30	13-MAR-2006	0.00	1		