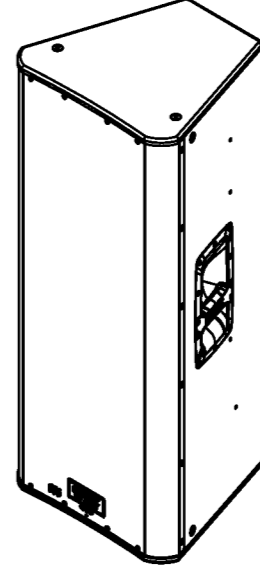
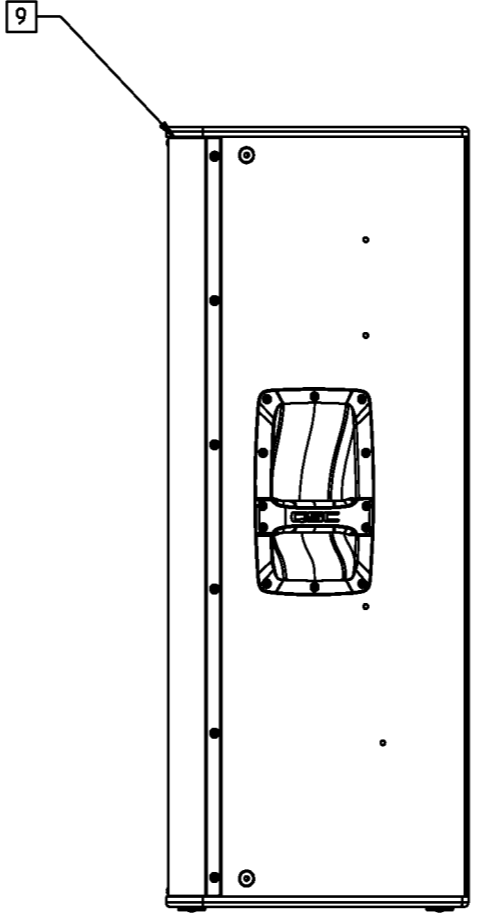
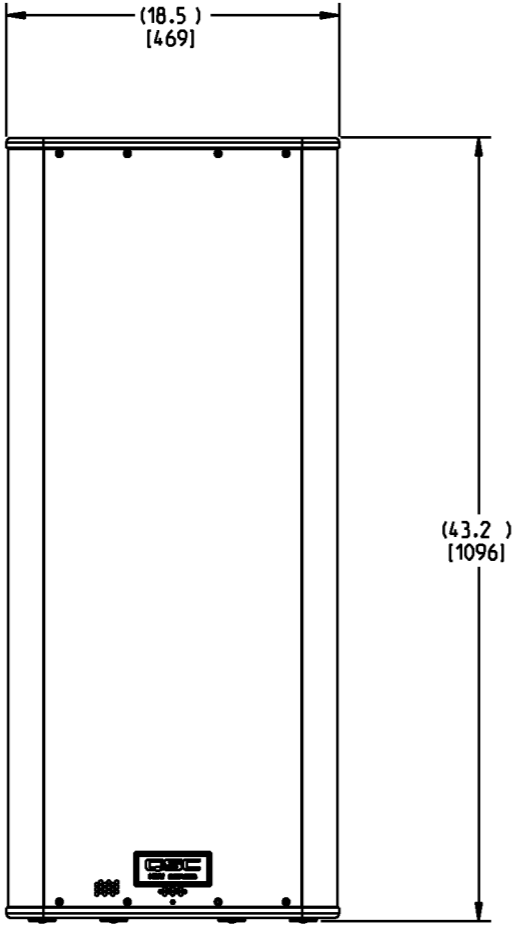
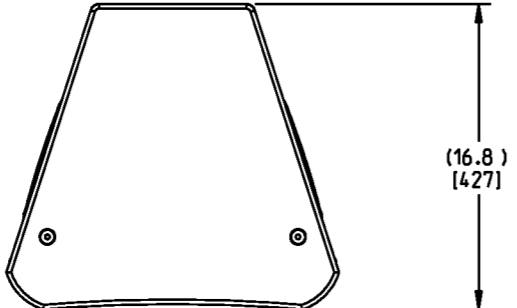


THIS DOCUMENT CONTAINS PROPRIETARY INFORMATION WHICH IS THE PROPERTY OF QSC AUDIO PRODUCTS. THAT MAY NOT BE DISCLOSED, REPRODUCED OR USED WITHOUT EXPRESS WRITTEN CONSENT FROM QSC AUDIO PRODUCTS.

| REVISIONS | | | | | |
|-----------|-------|---|----|-----------|--------|
| REV | ECD | DESCRIPTION | BY | EFF DATE | ISSUED |
| A | 9991 | PRODUCTION REL. W. CHANGE, REV NOTES & ADD ITEM 34 | RS | 26-MAY-10 | DD |
| A1 | 10215 | ADD NOTE 9: MAX GAP ALLOWANCE BETWEEN GRILLE TOP AND BOTTOM AND THE TOP AND BOTTOM PANELS SHOULD BE .080. | MP | 02-SEP-10 | DD |
| B | 10282 | IS: SC-000070-00, ITEM 18, QTY 4, WAS: SC-000043-00, ITEM 18, QTY 4 | MP | 05-OCT-10 | DD |
| C | 10389 | REMOVE TP-000128-00 ADDED ITEM 35 NW-000089-00 QTY 4 | VU | 16-NOV-10 | DD |



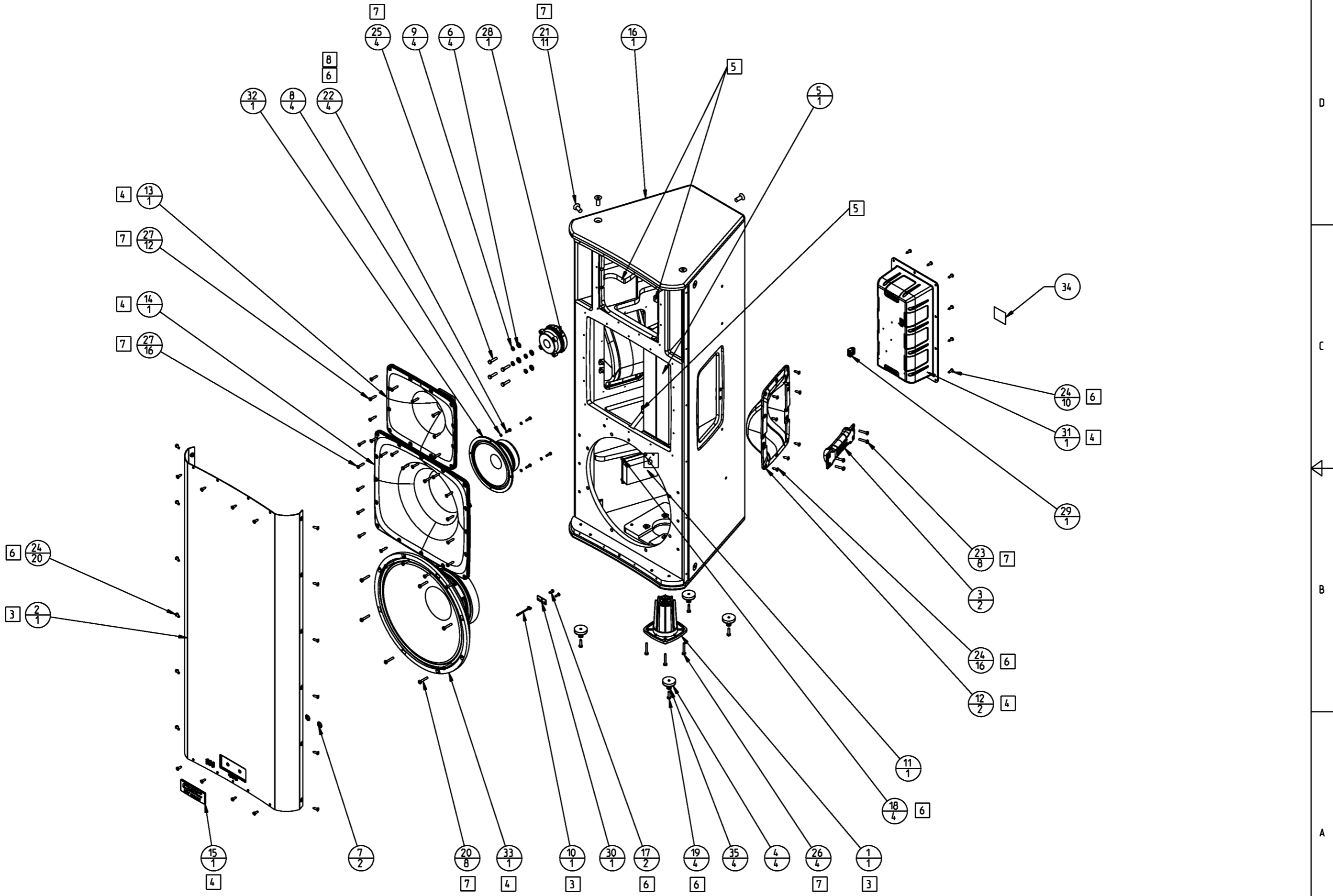
SCALE 0.125

- 9 MAX GAP ALLOWANCE BETWEEN GRILLE TOP AND BOTTOM AND THE TOP AND BOTTOM PANELS SHOULD BE .080.
 - 8 SECURE USING LOCTITE (PS-000267-00).
 - 7 ENSURE PROPER SEATING OF HARDWARE AND TORQUE TO 40 lb-in.
 - 6 ENSURE PROPER SEATING OF HARDWARE AND TORQUE TO 25 lb-in.
 - 5 APPLY 1/2 X 1/2 GASKET (PS-000168-00) ON ENCLOSURE & HORN MATINGS SURFACES PRIOR TO INSTALLATION.
 - 4 APPLY 1/2 X 1/8 GASKET (PS-000128-00) ON ENCLOSURE AT MATING SURFACES PRIOR TO INSTALLATION.
 - 3 APPLY 1/4 X 1/8 GASKET (PS-000130-00) ON MATING SURFACES PRIOR TO INSTALLATION.
2. ALL DIMENSIONS NOT SHOWN ARE DERIVED FROM CONTROLLED DATA FILE: <DWG NO.> <CURRENT REV>.
1. THIS PART MUST BE ROHS COMPLIANT PER QSC RD-000160-00. SUPPLIER TO PROVIDE A CERTIFICATE OF ROHS COMPLIANCE.
- NOTE: UNLESS OTHERWISE SPECIFIED

| | | | |
|--|---|--|--|
| UNLESS OTHERWISE SPECIFIED DIMENSIONS IN INCHES (MM) TOLERANCES ARE: DECIMALS .XX±.02(.5) DECIMALS .XXX±.01(.25) ANGLES ± 1/2 DEBURR EDGES .010 (.25) R MAX | APPROVALS | DATE (DD-MMM-YY) | QSC AUDIO PRODUCTS, LLC 1675 MACARTHUR BOULEVARD COSTA MESA, CA 92626 |
| | DRAWN R. SHIMA CHECKED J. CHAVEZ PFG ENG D. GALVAN QA CHECK D. BROWN | 16-APR-10 24-MAY-10 21-MAY-10 19-MAY-10 | |
| MATERIAL | DRAWING INFO: WP-215300-01.C.1 | | SPEAKER ASSY. KW 153 |
| FINISH | MODEL INFO: WP-215300-01.C.1 SCALE: 0.188 DO NOT SCALE DRAWING | SIZE D CAGE CODE 00PW 4 DRAWING NO. WP-215300-01 REV C | |

QSC Digital Paper - Document Status: PRODUCTION

THIS DOCUMENT CONTAINS PROPRIETARY INFORMATION WHICH IS THE PROPERTY OF QSC AUDIO PRODUCTS. THAT MAY NOT BE DISCLOSED, REPRODUCED OR USED WITHOUT EXPRESS WRITTEN CONSENT FROM QSC AUDIO PRODUCTS.



| | | | |
|--------------|-----------|----------------------|--------------|
| SIZE | CAGE CODE | DRAWING NO. | REV |
| D | 00PW 4 | WP-215300-01 | C |
| SCALE: 0.188 | | DO NOT SCALE DRAWING | SHEET 2 OF 2 |

KW153,BLK,,UNIV SPLY,FULL RNG,15" 3-WAY
 WP-215300-01

| Component Item Number | Component Description | Item Number | Qty |
|-----------------------|--|-------------|-----|
| CH-001021-00 | GRILLE,15",KW153, | 1 | 1 |
| CH-001024-00 | HANDLE,ALUMINUM,LARGE,KW/LXT, | 2 | 2 |
| MS-000403-00 | FOOT,PLASTIC,WL212-sw,, | 3 | 4 |
| MS-000486-00 | GASKET,OUTER,BUCKET,BOP-2CH, | 4 | 1 |
| MS-000563-00 | DAMPING,FIBERGLASS (CM-26),BLK,2" THK X 12" X 12", | 5 | 1 |
| MS-000564-00 | DAMPING,FIBERGLASS (CM-26),BLK,2" THK X 12" X 8", | 6 | 3 |
| MS-000565-00 | DAMPING,FIBERGLASS (CM-26),BLK,2" THK X 28" X 13.5", | 7 | 1 |
| NW-000046-00 | WSHR,FLT,,,,281 ID,.625 OD,.062 THK. TOL. +/- .010,STL,BLK,ZINC,CR3 | 8 | 4 |
| NW-000168-00 | WSHR,RTNR,M8,,,,,STL,CLR,ZINC CR3, | 9 | 2 |
| NW-264815-09 | WSHR,LCK,0.26,SPLIT,,,,.062,STL,BLK,ZINC, | 10 | 4 |
| PA-000268-00 | FLEXIBLE LIGHT PIPE ASSY,DOME FACE,SM ADAPTER,2.09",KW122/153/LXT315 | 11 | 1 |
| PA-000270-00 | CROSSOVER,KW153,, | 12 | 1 |
| PL-000076-GP | HANDLE CAP,FOR HPR,,,, | 13 | 2 |
| PL-000702-00 | HORN,HF,KW122/153,, | 14 | 1 |
| PL-000704-00 | HORN,MIDRANGE,KW153,, | 15 | 1 |
| PL-000720-00 | LOGO,KW152/153/181,,,, | 16 | 1 |
| SB-000109-00 | ENCLOSURE ASSY,15",KW153,, | 17 | 1 |
| SC-000027-00 | PHILLIPS,ROUNDHEAD,,,,#8,0.5" L,WOOD,,BLACK, PHOS, 6219 LUBE, | 18 | 2 |
| SC-000037-00 | SCR,SOCKET HEAD CAP,M6-1.0 X 20MM,,,,,,BLACK ZINC,CR3 | 19 | 4 |
| SC-000214-00 | SCR,PHH,PNH,MACH,,,,M5,20 L,STL CLASS 4.6,BLK,ZINC CR3,ND PATCH MDM | 21 | 4 |
| SC-000215-00 | SCR,PHH,PNH,MACH,,,,M5,30 L,STL CLASS 4.6,BLK,ZINC CR3, | 22 | 8 |
| SC-000226-00 | SCR,HEX SKT,FLH,MACH,,,,M10,25 L,STL CLASS 10.9,BLK,ZINC CR3, | 23 | 11 |
| SC-000255-00 | SCR,PPH,PNH,,,,M5,25 L,STL,BLK,ZINC CR3,9.0 MAX HD, | 20 | 8 |
| SC-000259-00 | SCR,PHH,PNH,PARTICLE BD,,,,#10,5/8 L,CARBON STL,BLK,ZINC, CR3, | 24 | 74 |
| SC-000283-00 | SCR,PHH,PNH,MACH,,,,M5,25 L,CLASS 4.6,BLK,ZINC,CR3 | 25 | 4 |
| SP-000184-00 | COMPRESSION DRIVER,1.75",PETP,NEOD,CELESTION,K-SERIES | 26 | 1 |
| SP-000206-00 | WOOFER,15",PAPER,CERAMIC,CELESTION,KW153 | 28 | 1 |
| WC-000514-00 | WIRE HARNESS,,,,KW153,, | 29 | 1 |
| WP-212203-00 | PCB ASSY,LED,SPKR,,GRILLE | 30 | 1 |
| WP-215301-00 | AMP MODULE ASSY,,KW153,,UNIV SPLY,FULL RNG,15" 3-WAY | 31 | 1 |
| XD-000001-00 | WOOFER,6.5",PAPER,CERAMIC,CELESTION,KW153 | 27 | 1 |