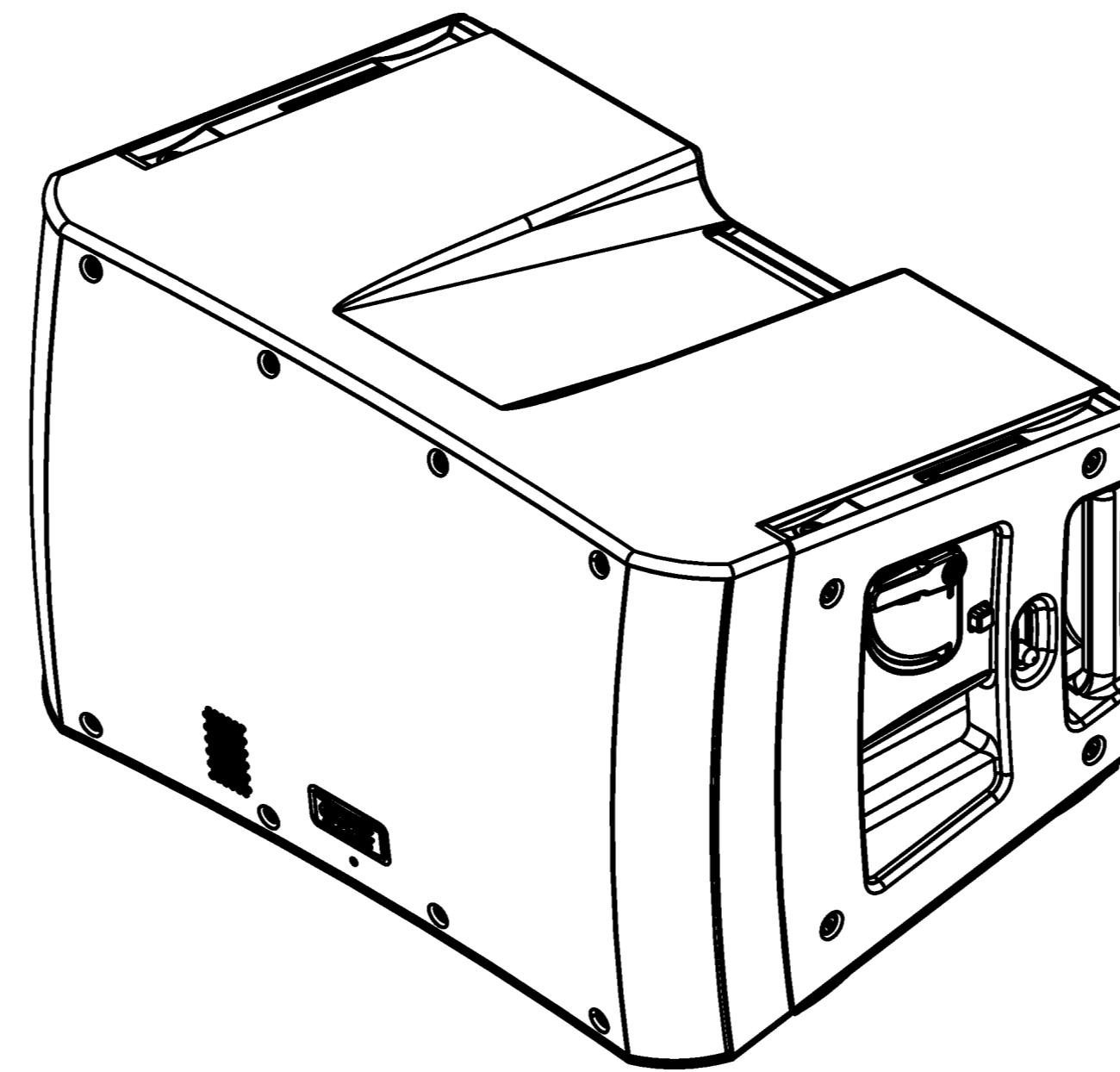
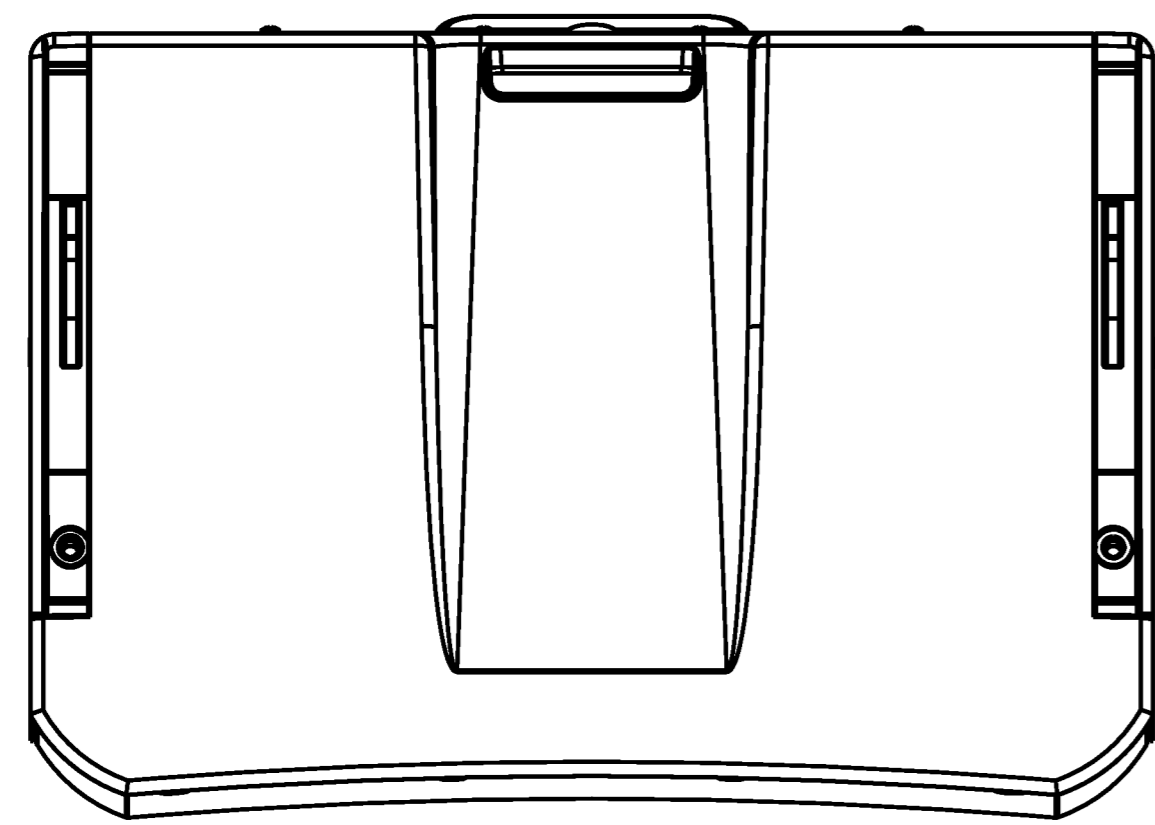
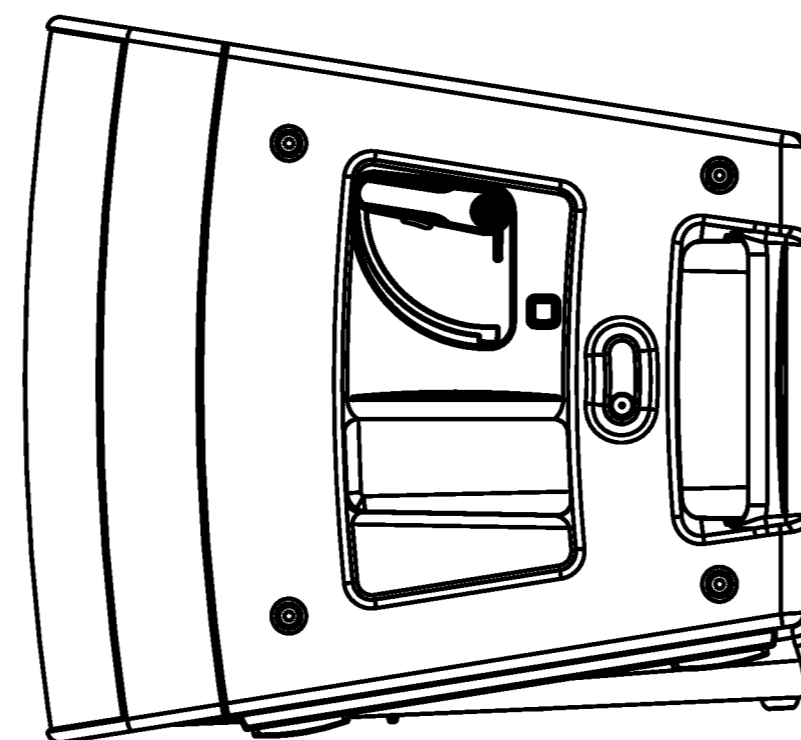
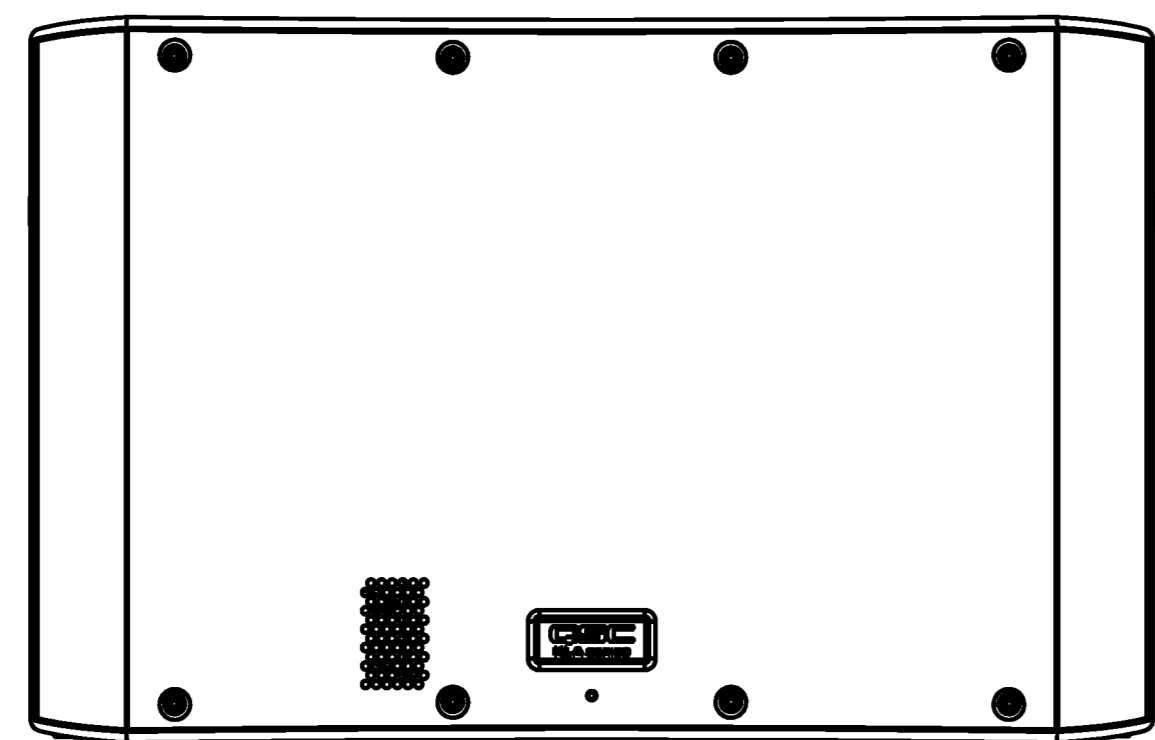


THIS DOCUMENT CONTAINS PROPRIETARY INFORMATION WHICH IS THE PROPERTY OF QSC AUDIO PRODUCTS. THAT MAY NOT BE DISCLOSED, REPRODUCED OR USED WITHOUT EXPRESS WRITTEN CONSENT FROM QSC AUDIO PRODUCTS.

REVISIONS			
REV	DESCRIPTION	EFF DATE	CHK APVD



SCALE 0.250



42	XD-000004-00	WOOFER, 12", PAPER, FERRITE	1
41	WP-001239-XX		1
40	WP-001238-XX	RIGGING, SIDE ASSY, LEFT	1
39	WP-001234-00	CHASSIS ASSEMBLY KLA12	1
38	WC-000525-00	WIRE HARNESS	1
37	SP-000207-01	WAVE-GUIDE, HALF, KLA12	2
36	SP-000184-00	COMP DVR, 1.7", PETP, NEOD,	1
35	SC-000364-00	SCR,PHH,PNH,MACH,M4,16 L,STL	2
34	SC-000352-00		8
33	SC-000307-00	SCR,HEXHD,CAP,M6,25 L,STL,BLK	4
32	SC-000306-00	SCR,PHH,PNH,TPG,M5,25 L,STL,BL	18
31	SC-000305-00	SCR,PHH,PNH,TPG,M5,20 L,STL,BL	10
30	SC-000304-00	SCR,PHH,PNH,TPG,M4,18 L,STL,BL	18
29	SC-000303-00	SCR,PHH,PNH,TPG,M4,12 L,STL,BL	12
28	SC-000288-00	SCR,PHH,PNH,MACH,M5,20 L,STL,B	6
27	SB-000117-01	BAFFLE, KLA12	1
26	SB-000116-XX	ENCLOSURE, KLA12	1
25	PL-000781-00	BRACE, ENCLOSURE, KLA	1
24	PL-000740-XX	LOGO, QSC	1
23	PL-000738-01	FOOT, REAR, KLA	1
22	PL-000737-XX	RETAINER, POLE MOUNT	1
21	PL-000736-XX	SELECTOR, POLE MOUNT	1
20	PL-000734-01	FLARE, PORT, TOP, KLA12	1
19	PL-000733-01	FLARE, PORT, TOP, KLA12	1
18	PL-000732-00	GASKET, BAFFLE/ENCLOSURE	1
17	PL-000729-XX	POLE-CUP, KLA12	1
16	PL-000621-XX	PLUG, RUBBER, 10MM	1
15	NW-000190-00	NUT,HEX,M6,,STL,CLR,ZINC CR3	8
14	NW-000185-00	W SHR,SPLKG,M4,,9.5 OD,1.0 THK	2
13	NW-000170-00	W SHR,FLT,M6,10 OD,STL,CLR,ZINC CR3	12
12	NW-000169-00	W SHR,SPLKG,M6,11.0 OD,1.5 THK	12
11	NW-000168-00	WASHER, RETAINING SPRING, M8	2
10	NW-000167-00	W SHR,FLT,M16,,30 OD,,STL,CLR,ZINC CR3	1
9	NW-000165-00	W SHR,SPLKG,M16,25.4 OD,4.3THK	1
8	NW-000163-00	NUT,HEX,M16,,STL,CLR,ZINC CR3,	1
7	NW-000161-00	NUT,HEX,FLG,SERR,M5,,STL,CLR,ZINC CR3,	6
6	NW-000155-00	W SHR,FLT,M4,,STL,BLK,ZINC CR3,DIN 125	2
5	MS-000575-00	GASKET, POLE MOUNT	1
4	MS-000486-00	GASKET, OUTER, BUCKET,	1
3	MS-000480-00	FELT PAD, POLE MOUNT,	6
2	CH-001039-XX	GRILLE, KLA12	1
1	CH-000899-01	INSERT, M10, B06	1

ITEM	PART NUMBER	DESCRIPTION	QTY
BILL OF MATERIALS			
UNLESS OTHERWISE SPECIFIED DIMENSIONS IN INCHES (MM)		APPROVALS	DATE (DD-MMM-YY)
TOLERANCES ARE:		DRAWN	01 OCT 10
DECIMALS .XX±.02(.5)	DECIMALS .XXX±.01(.25)	CHECKED	
ANGLES .1/2		N/A	
DEBURR EDGES .010 (.25) R MAX		MFG ENG	
MATERIAL		N/A	
FINISH		QA CHECK	
		N/A	
DRAWING INFO: WP-001233-XX.1.1		SIZE	D
MODEL INFO: WP-001233-XX.1.1		CAGE CODE	00PW4
SCALE: 0.250		DRAWING NO.	WP-001233-XX
DO NOT SCALE DRAWING		REV	1
SHEET			1 OF 2

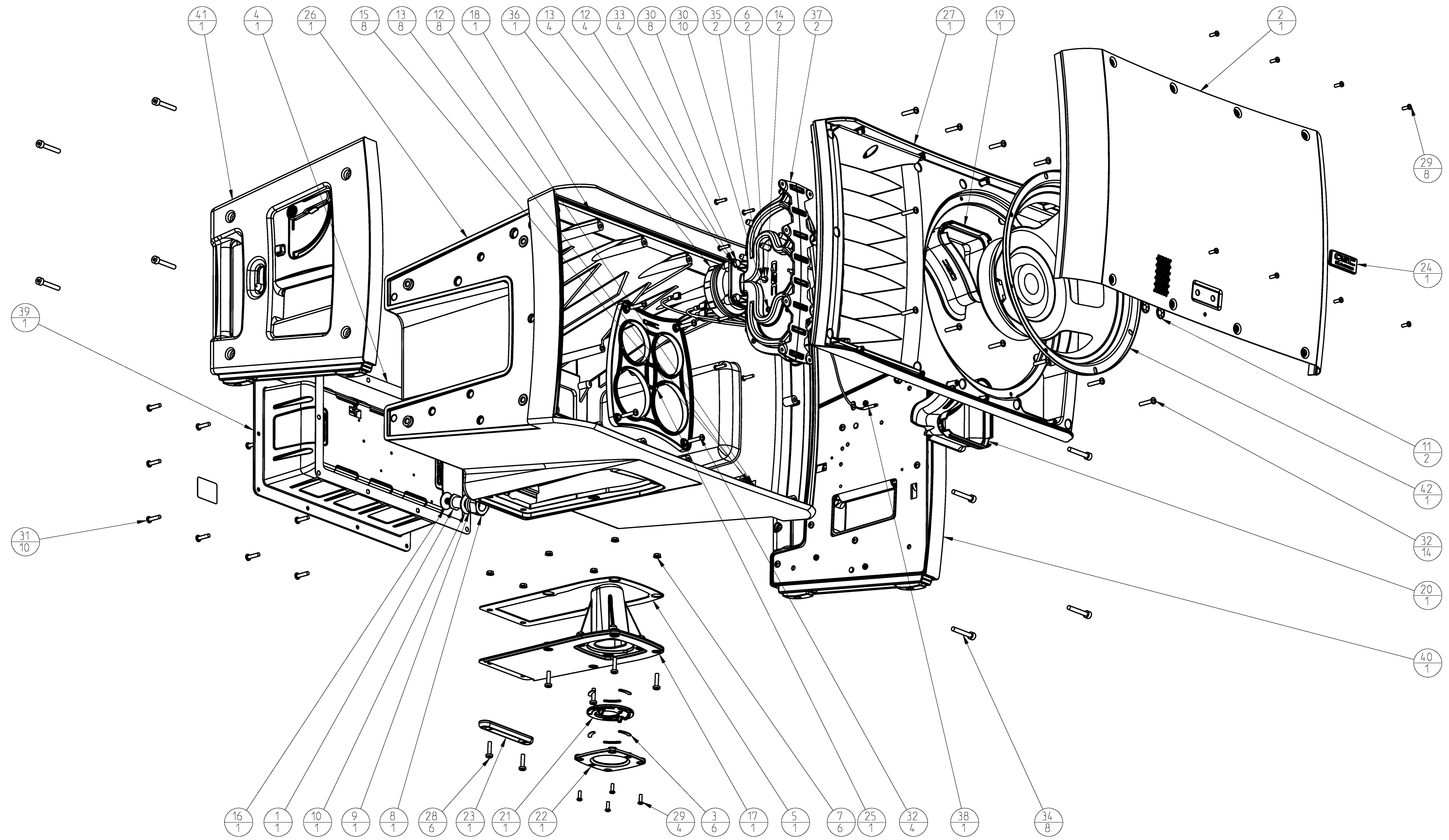
- 4.
 - 3.
 - 2.
 1. THIS PART MUST BE ROHS COMPLIANT PER QSC RD-000160-00. SUPPLIER TO PROVIDE A CERTIFICATION OF ROHS COMPLIANCE.
- NOTE: UNLESS OTHERWISE SPECIFIED

Prototype

QSC Digital Paper - Document Status: PROTOTYPE

THIS DOCUMENT CONTAINS PROPRIETARY INFORMATION WHICH IS THE PROPERTY OF OSC AUDIO PRODUCTS. THAT MAY NOT BE DISCLOSED, REPRODUCED OR USED WITHOUT EXPRESS WRITTEN CONSENT FROM OSC AUDIO PRODUCTS.

Prototype



SCALE 0.330

SIZE	CAGE CODE	DRAWING NO.	REV
D	00PW 4	WP-001233-XX	1
SCALE: 0.063	DO NOT SCALE DRAWING	SHEET	2 OF 2

OSC Digital Paper - Document Status: PROTOTYPE