

THIS DOCUMENT CONTAINS PROPRIETARY INFORMATION WHICH IS THE PROPERTY OF QSC AUDIO PRODUCTS. THAT MAY NOT BE DISCLOSED, REPRODUCED OR USED WITHOUT EXPRESS WRITTEN CONSENT FROM QSC AUDIO PRODUCTS.

REVISION				
REV	DESCRIPTION	EFF. DATE	CHK	APPROVED / DATE
1	PROTOTYPE RELEASE SA	9-27-00		
2	CLEAN UP NOTES, ADDED TOLERANCE TO COG PARTS AA	2-22-01		

- 8. ZENER TOLERANCE IS 5%
- 7. SMT CAPACITOR VOLTAGE IS 50V
- 6. SMT RESISTOR WATTAGE RATING IS 0.1W
- 5. RESISTOR WATTAGE RATING IS 1/4W
FOR RESISTOR WATTAGE RATINGS GREATER THAN 1W, TOLERANCE IS 5%
FOR RESISTOR WATTAGE RATINGS LESS THAN 1/2W, TOLERANCE IS 1%
- 4. THROUGH-HOLE FILM AND CERAMIC CAPACITOR TOLERANCE IS 10%, VOLTAGE IS 100V
- 3. ELECTROLYTIC CAPACITOR TOLERANCE IS 20%
- 5. J104, J204 ARE CONNECTED PIN TO PIN BY 13-LINE RIBBON CABLE.
- 4 PART NUMBERING SCHEME
PARTS IN COMMON TO BOTH CH: 1-99. CH 1 PARTS 100-199. CH 2 PARTS 200-299
- 3. COMPONENTS MARKED WITH \triangle ARE SAFETY CRITICAL PARTS.
- 2. COMPONENTS WITH VALUE PREFIXED WITH A "*" REPRESENT SMT COMPONENTS.
- 1. THIS DRAWING USED IN CONJUNCTION WITH ASSEMBLY WP-004501-00

NOTES: UNLESS OTHERWISE SPECIFIED

QTY	ITEM NO.	PART NO.	DESCRIPTION	VENDOR
PARTS LIST				
UNLESS OTHERWISE SPECIFIED DIMENSIONS ARE IN INCHES. DIMENSIONS PER ANSI Y14.5-1982 TOLERANCES ARE: DECIMALS DECIMALS ANGLES .xx ± .xxx ± 0			CONTRACT NO.	
DRAWN PAT QUILTER			APPROVALS	DATE
CHECKED			2-25-00	
ISSUED			SCALE NONE	
CAD SEED FILE NO.			PLOT DATE: Mon Mar 19, 2001	CAD FILE NO. Sh3001r2.sch
APPLICATION			DO NOT SCALE DRAWING	

QSC AUDIO PRODUCTS, INC.
COSTA MESA, CALIFORNIA

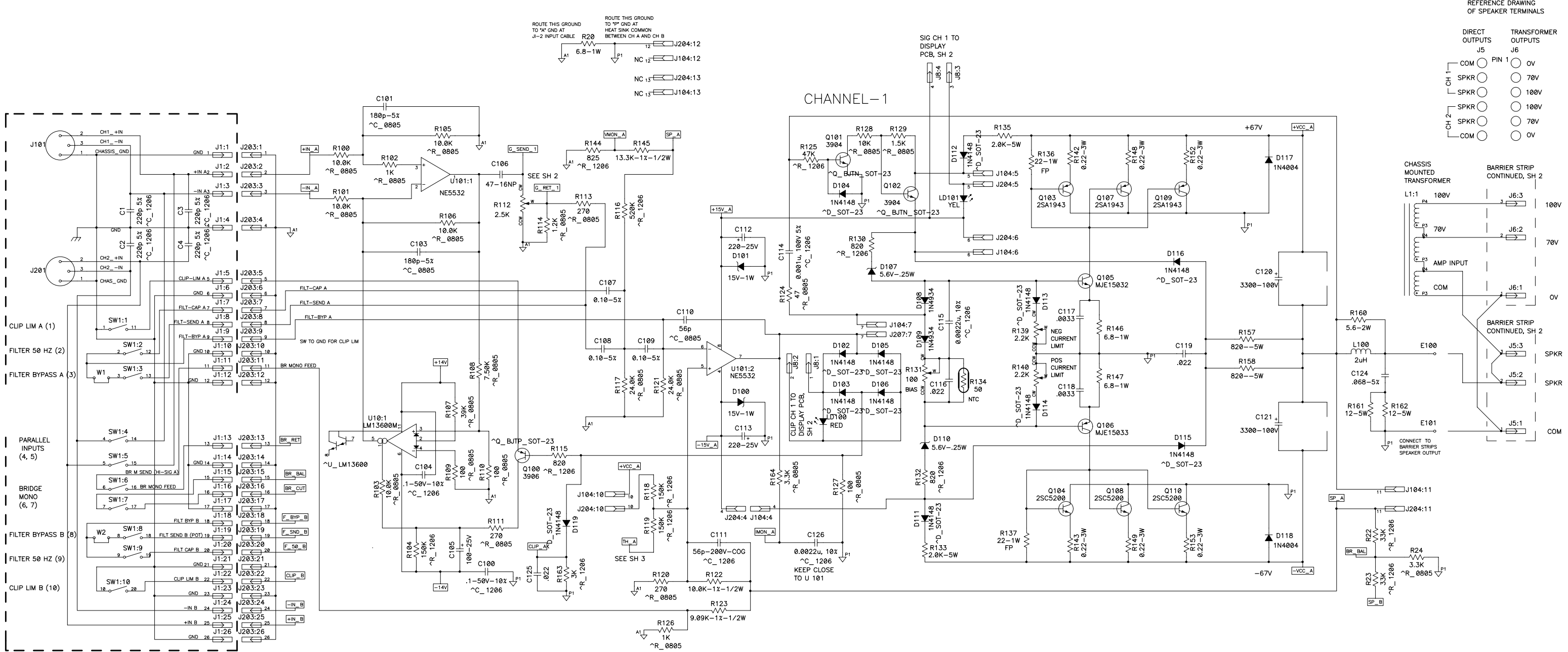
SCHEMATIC DIAGRAM
ISA-300T

SIZE **D** FSCM NO. DWG NO. **SH-003001-00** REV **2**

PLOT DATE: Mon Mar 19, 2001 SHEET 1 OF 4

1 SH-003001-00

THIS DOCUMENT CONTAINS PROPRIETARY INFORMATION WHICH IS THE PROPERTY OF QSC AUDIO PRODUCTS. THAT MAY NOT BE DISCLOSED, REPRODUCED OR USED WITHOUT EXPRESS WRITTEN CONSENT FROM QSC AUDIO PRODUCTS.



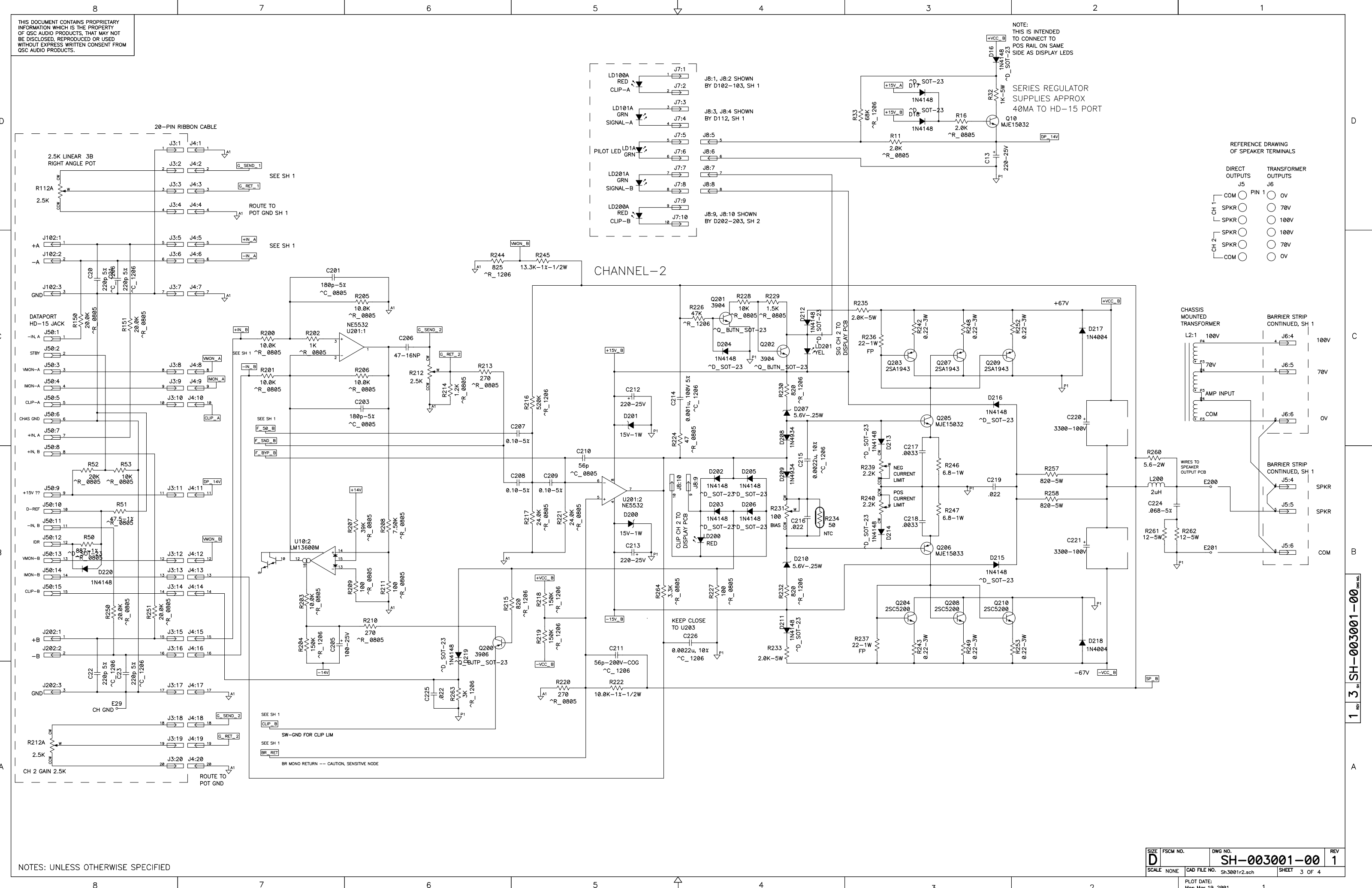
NOTES: UNLESS OTHERWISE SPECIFIED

SIZE	FSCM NO.	DWG NO.	REV
D		SH-003001-00	1
SCALE	NONE	CAD FILE NO. Sh3001r2.sch	SHEET 2 OF 4
PLOT DATE:		Mon Mar 19, 2001	

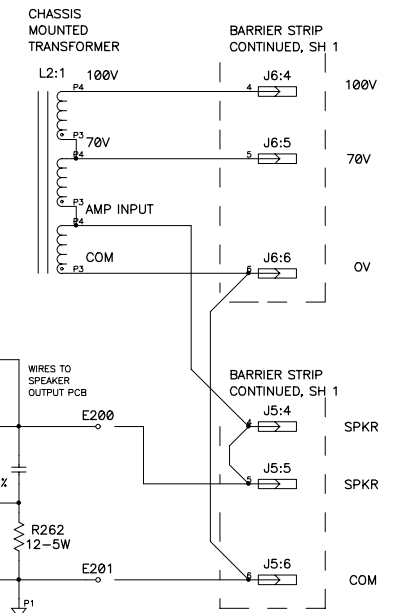
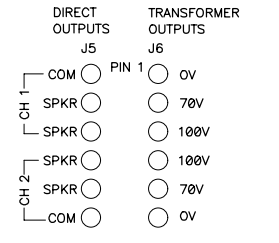
1 2 SH-003001-00

THIS DOCUMENT CONTAINS PROPRIETARY INFORMATION WHICH IS THE PROPERTY OF QSC AUDIO PRODUCTS. THAT MAY NOT BE DISCLOSED, REPRODUCED OR USED WITHOUT EXPRESS WRITTEN CONSENT FROM QSC AUDIO PRODUCTS.

NOTE: THIS IS INTENDED TO CONNECT TO POS RAIL ON SAME SIDE AS DISPLAY LEADS



REFERENCE DRAWING OF SPEAKER TERMINALS



NOTES: UNLESS OTHERWISE SPECIFIED

1 SH-003001-00

THIS DOCUMENT CONTAINS PROPRIETARY INFORMATION WHICH IS THE PROPERTY OF QSC AUDIO PRODUCTS. THAT MAY NOT BE DISCLOSED, REPRODUCED OR USED WITHOUT EXPRESS WRITTEN CONSENT FROM QSC AUDIO PRODUCTS.

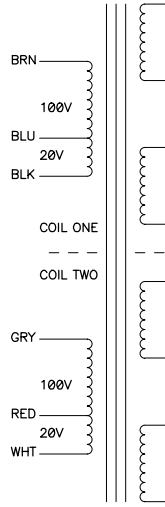
AC VOLTAGE PROGRAMMING TERMINALS

AC INPUT, HIGH (ALL)

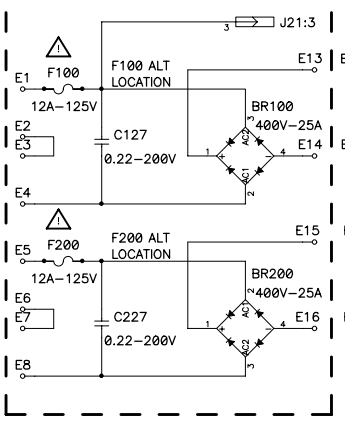
100V	120V	240V
BRN	BRN	BRN
GRY	GRY	-
BLK	BLU	BLU
-	-	BLK
-	-	GRY
WHT	RED	RED
BLU	BLK	-
RED	WHT	WHT

AC INPUT, LOW (ALL)

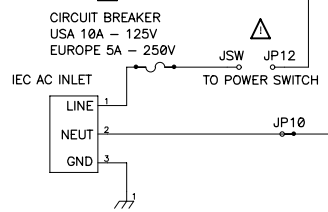
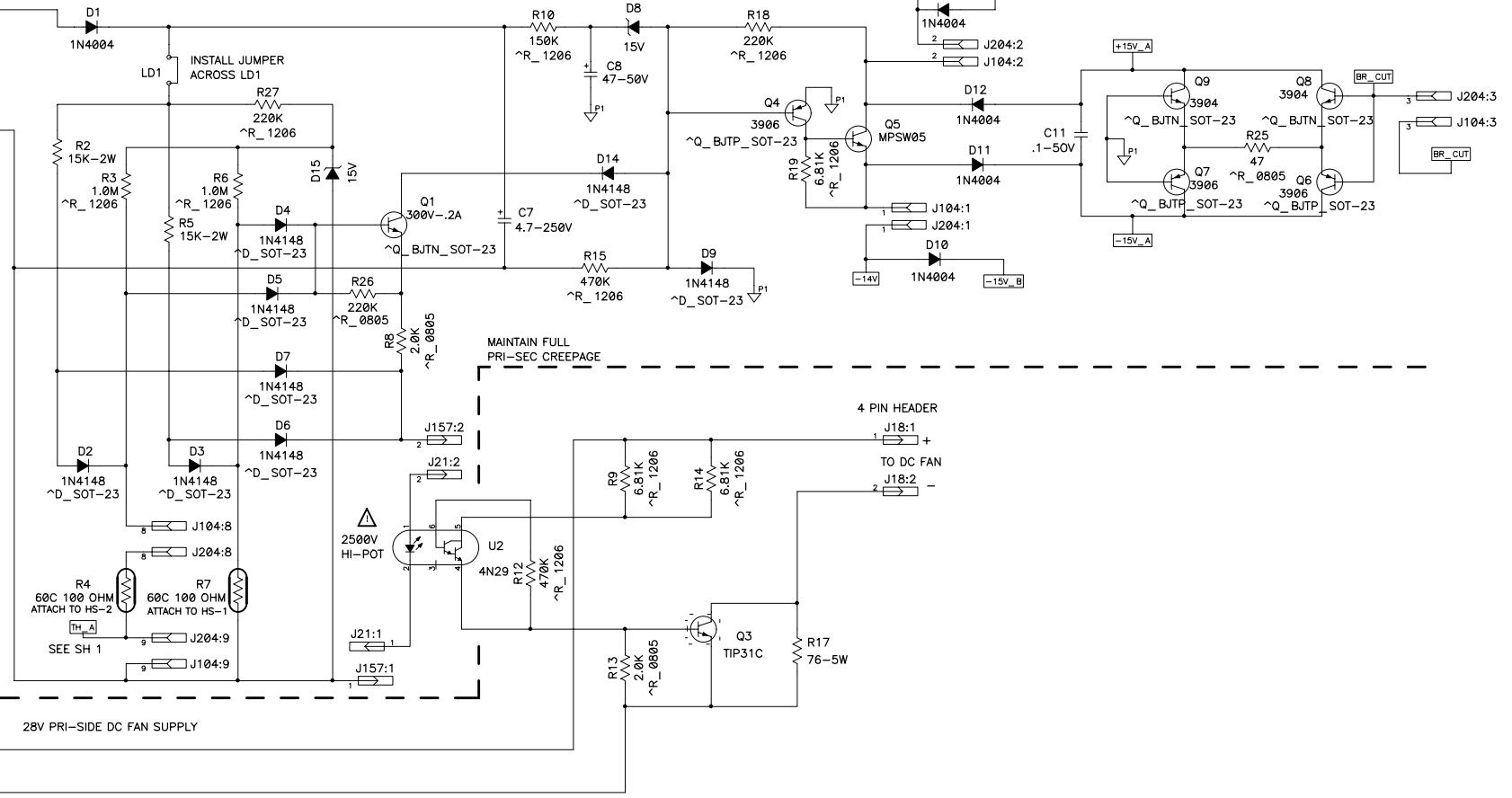
U-1 CORE POWER TRANSFORMER
NOTE SPLIT SECONDARY WIRING FROM EACH LEG TO EACH CHANNEL



RECTIFIERS BR100, 200 AND C127-227 ARE LOCATED OFF THE MAIN PCB, MOUNTED TO CHASSIS.



MUTING AND THERMAL PROTECTION.



20 VAC TO FAN POWER RECTIFIER

28V PRI-SIDE DC FAN SUPPLY

MAINTAIN FULL PRI-SEC CREEPAGE

MAINTAIN FULL PRI-SEC CREEPAGE

NOTES: UNLESS OTHERWISE SPECIFIED

SIZE	FSCM NO.	DWG NO.	REV
D		SH-003001-00	1
SCALE	NONE	CAD FILE NO.	SHEET
		Sh3001r2.sch	4 OF 4
PLOT DATE:		REV	
Mon Mar 19, 2001		1	

1 4 SH-003001-00

8

7

6

5

4

3

2

1

THIS DOCUMENT CONTAINS PROPRIETARY INFORMATION WHICH IS THE PROPERTY OF QSC AUDIO PRODUCTS. THAT MAY NOT BE DISCLOSED, REPRODUCED OR USED WITHOUT EXPRESS WRITTEN CONSENT FROM QSC AUDIO PRODUCTS.

REVISION				
REV	DESCRIPTION	EFF. DATE	CHK	APPROVED / DATE
A	PRODUCTION RELEASE PER ECO 5586 AA	9-12-03		
B	REVISED PER ECO 7283 AA	6-23-06		DD

D

D

C

C

B

B

A

A

- 11. ZENER TOLERANCE IS 5%
- 10. SMT CAPACITOR VOLTAGE IS 50V
- 9. SMT RESISTOR WATTAGE RATING IS 0.1W
- 8. RESISTOR WATTAGE RATING IS 1/4W
FOR RESISTOR WATTAGE RATINGS GREATER THAN 1W, TOLERANCE IS 5%
FOR RESISTOR WATTAGE RATINGS LESS THAN 1/2W, TOLERANCE IS 1%
- 7. THROUGH-HOLE FILM AND CERAMIC CAPACITOR TOLERANCE IS 10%, VOLTAGE IS 100V
- 6. ELECTROLYTIC CAPACITOR TOLERANCE IS 20%
- 5. J104, J204 ARE CONNECTED PIN TO PIN BY 13-LINE RIBBON CABLE.
- 4 PART NUMBERING SCHEME
PARTS IN COMMON TO BOTH CH: 1-99. CH 1 PARTS 100-199. CH 2 PARTS 200-299
- 3. COMPONENTS MARKED WITH \triangle ARE SAFETY CRITICAL PARTS.
- 2. COMPONENTS WITH VALUE PREFIXED WITH A "*" REPRESENT SMT COMPONENTS.
- 1. THIS DRAWING USED IN CONJUNCTION WITH ASSEMBLY WP-000326-00

NOTES: UNLESS OTHERWISE SPECIFIED

8

7

6

5


4

3

2

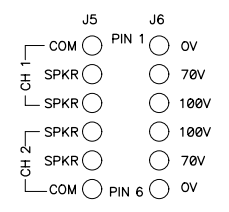
1

B 1 SH-000326-00

QTY	ITEM NO.	PART NO.	DESCRIPTION	VENDOR
PARTS LIST				
UNLESS OTHERWISE SPECIFIED DIMENSIONS ARE IN INCHES. DIMENSIONS PER ANSI Y14.5-1982 TOLERANCES ARE: DECIMALS DECIMALS ANGLES .XX ± .XXX ± 0		CONTRACT NO.		 SCHEMATIC DIAGRAM ISA-300Ti
DRAWN PAT QUILTER		APPROVALS	DATE	
CHECKED R. BECKER		2-25-00		
ISSUED		9-12-03		
FINISH		CAD SEED FILE NO.	PLOT DATE: Mon Jul 17, 2006	SIZE: D FSCM NO. DWG NO. SH-000326-00 REV B
DO NOT SCALE DRAWING		SCALE: NONE	CAD FILE NO. SH-000326-B.SCH	SHEET 1 OF 4

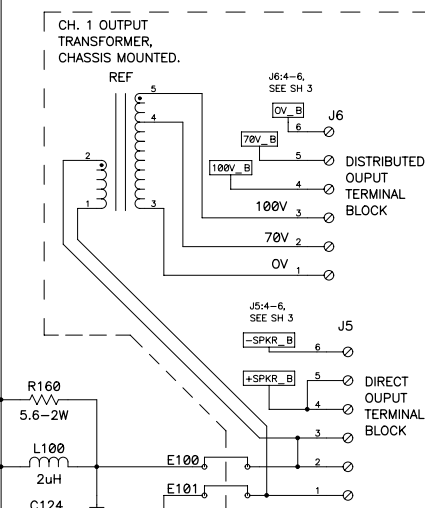
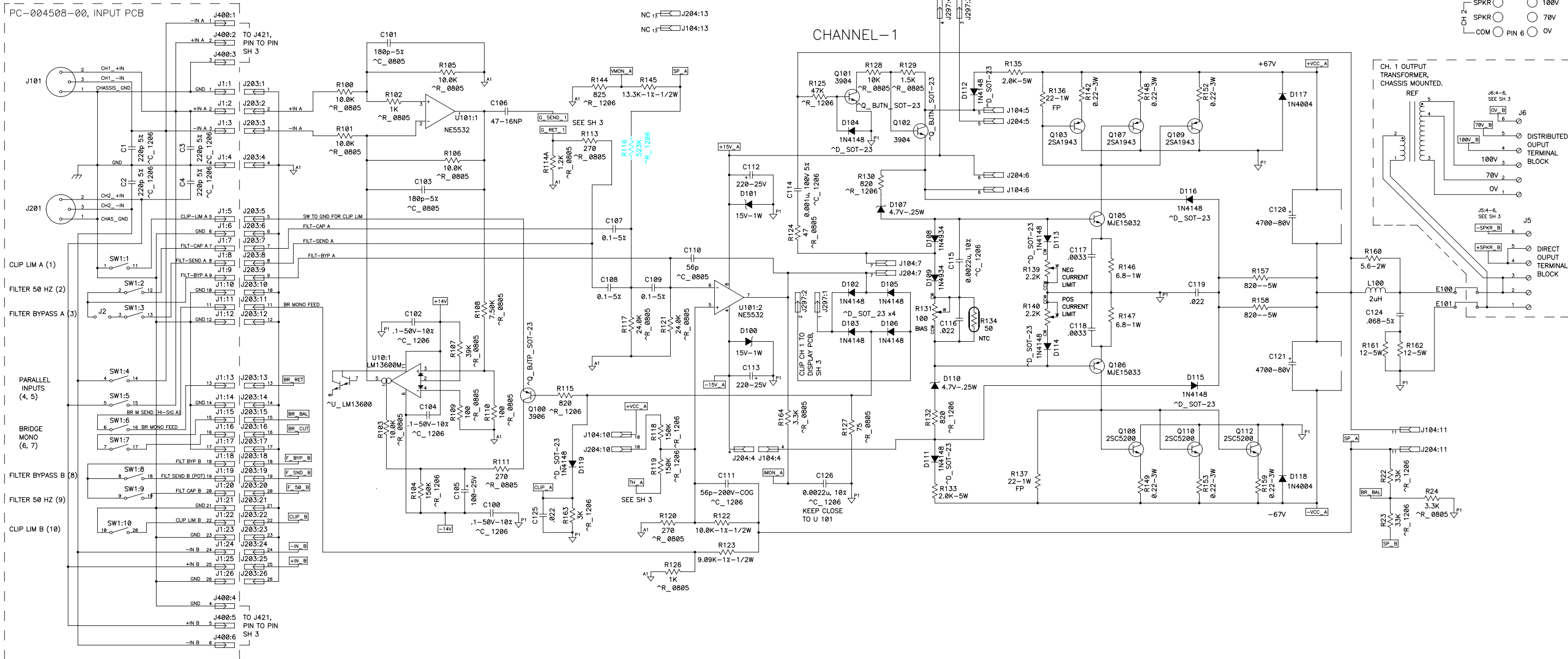
THIS DOCUMENT CONTAINS PROPRIETARY INFORMATION WHICH IS THE PROPERTY OF QSC AUDIO PRODUCTS, THAT MAY NOT BE DISCLOSED, REPRODUCED OR USED WITHOUT EXPRESS WRITTEN CONSENT FROM QSC AUDIO PRODUCTS.

REF DWG OF TERMINAL BLOCK CONFIGURATION.



PC-004508-00, INPUT PCB

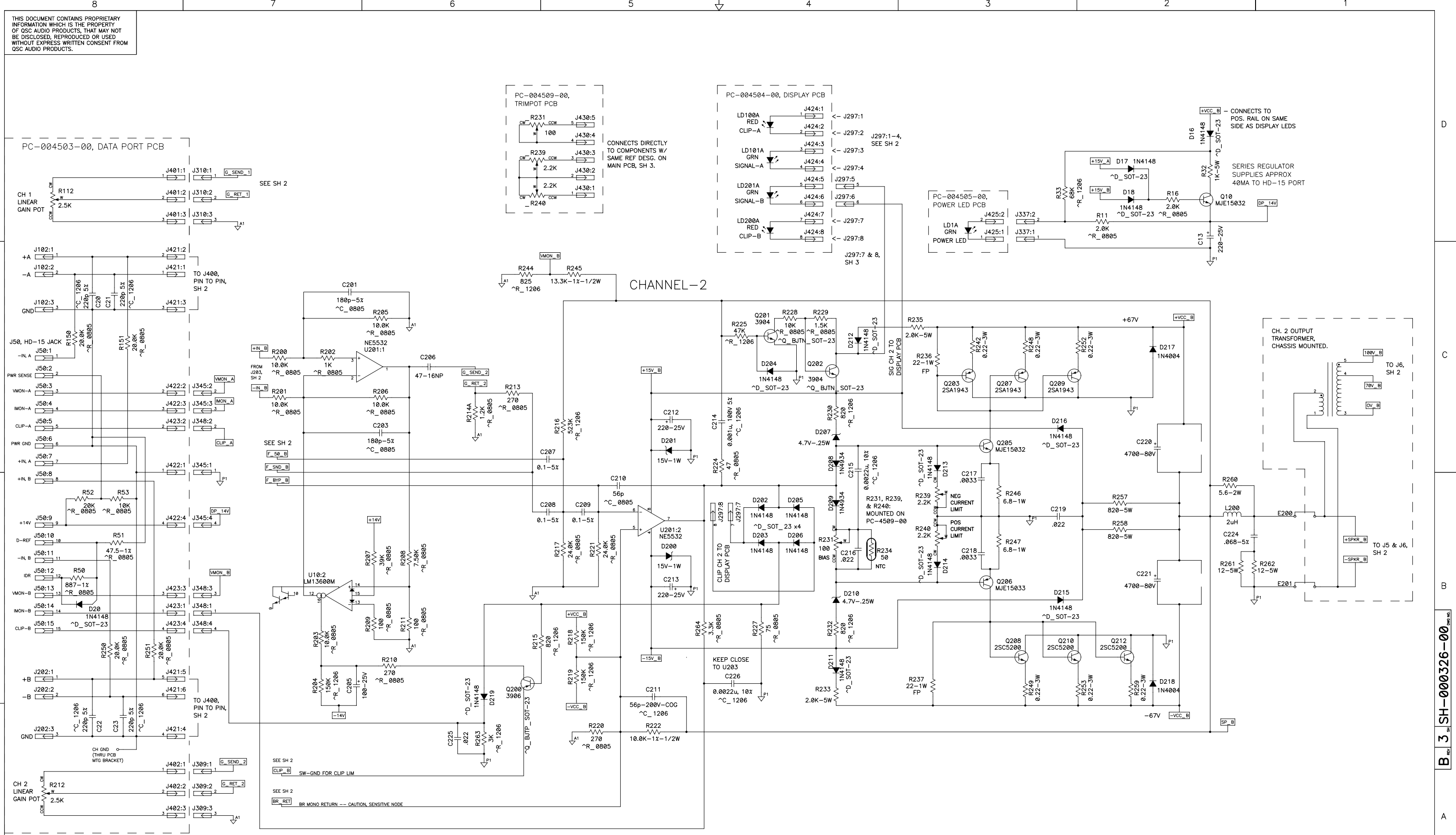
CHANNEL-1



NOTES: UNLESS OTHERWISE SPECIFIED

SIZE	FSCM NO.	DWG NO.	REV
D		SH-000326-00	B
SCALE	NONE	CAD FILE NO. SH-000326-B.SCH	SHEET 2 OF 4
		PLOT DATE: Mon Jul 17, 2006	1

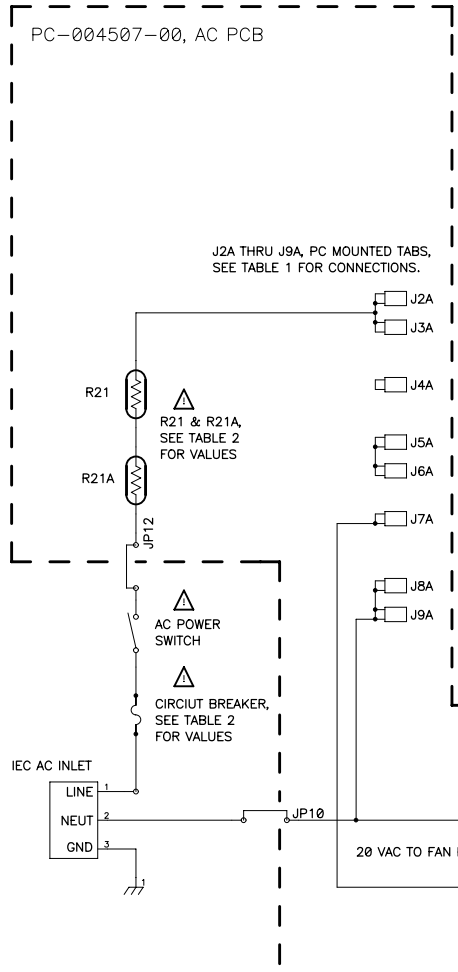
B SH-000326-00



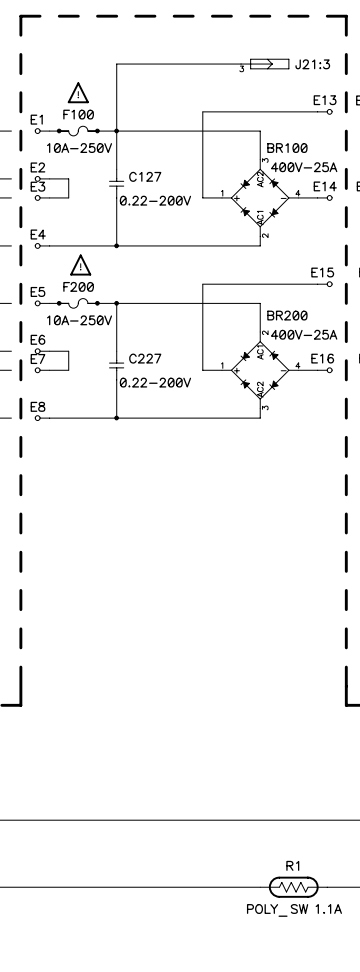
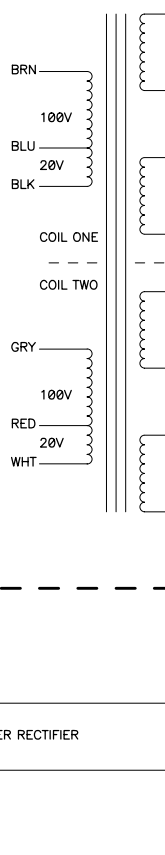
NOTES: UNLESS OTHERWISE SPECIFIED

SIZE	FSCM NO.	DWG NO.	REV
D		SH-000326-00	B
SCALE	NONE	CAD FILE NO. SH-000326-B.SCH	SHEET 3 OF 4
		PLOT DATE: Mon Jul 17, 2006	

THIS DOCUMENT CONTAINS PROPRIETARY INFORMATION WHICH IS THE PROPERTY OF QSC AUDIO PRODUCTS. THAT MAY NOT BE DISCLOSED, REPRODUCED OR USED WITHOUT EXPRESS WRITTEN CONSENT FROM QSC AUDIO PRODUCTS.



U-1 CORE POWER TRANSFORMER
NOTE SPLIT SECONDARY WIRING FROM EACH LEG TO EACH CHANNEL. SEE TABLE 1 FOR CONFIGURATION OF PRIMARY LEADS.



MUTING AND THERMAL PROTECTION.

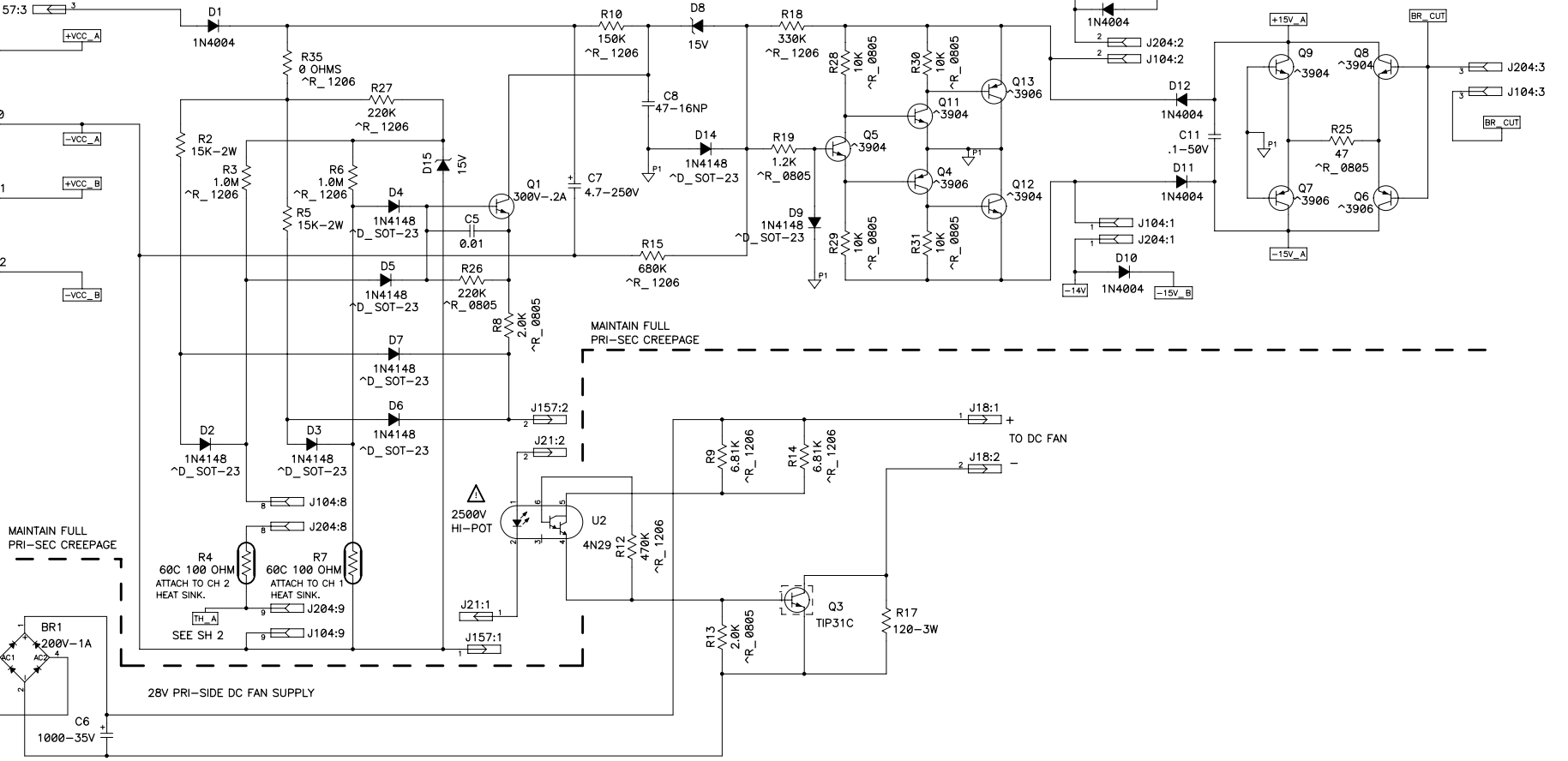


TABLE 1

POWER TRANSFORMER PRIMARY LEAD COLOR	AC LINE VOLTAGE			TAB
	100V	120V	240V	
BRN	BRN	BRN	BRN	J2A
GRY	GRY	-	-	J3A
BLK	BLU	BLU	BLU	J4A
-	-	BLK	BLK	J5A
-	-	GRY	GRY	J6A
WHT	RED	RED	RED	J7A
BLU	BLK	-	-	J8A
RED	WHT	WHT	WHT	J9A

TABLE 2

	AC LINE VOLTAGE		
	100V	120V	240V
CIRCUIT BREAKER	10A-125V	10A-125V	5A-250V
R21	1 OHM 30A	1 OHM 30A	2.5 OHM 15A
R21A	0 OHM (JUMPER)	0 OHM (JUMPER)	2.5 OHM 15A

NOTES: UNLESS OTHERWISE SPECIFIED

B SH-000326-00 4