

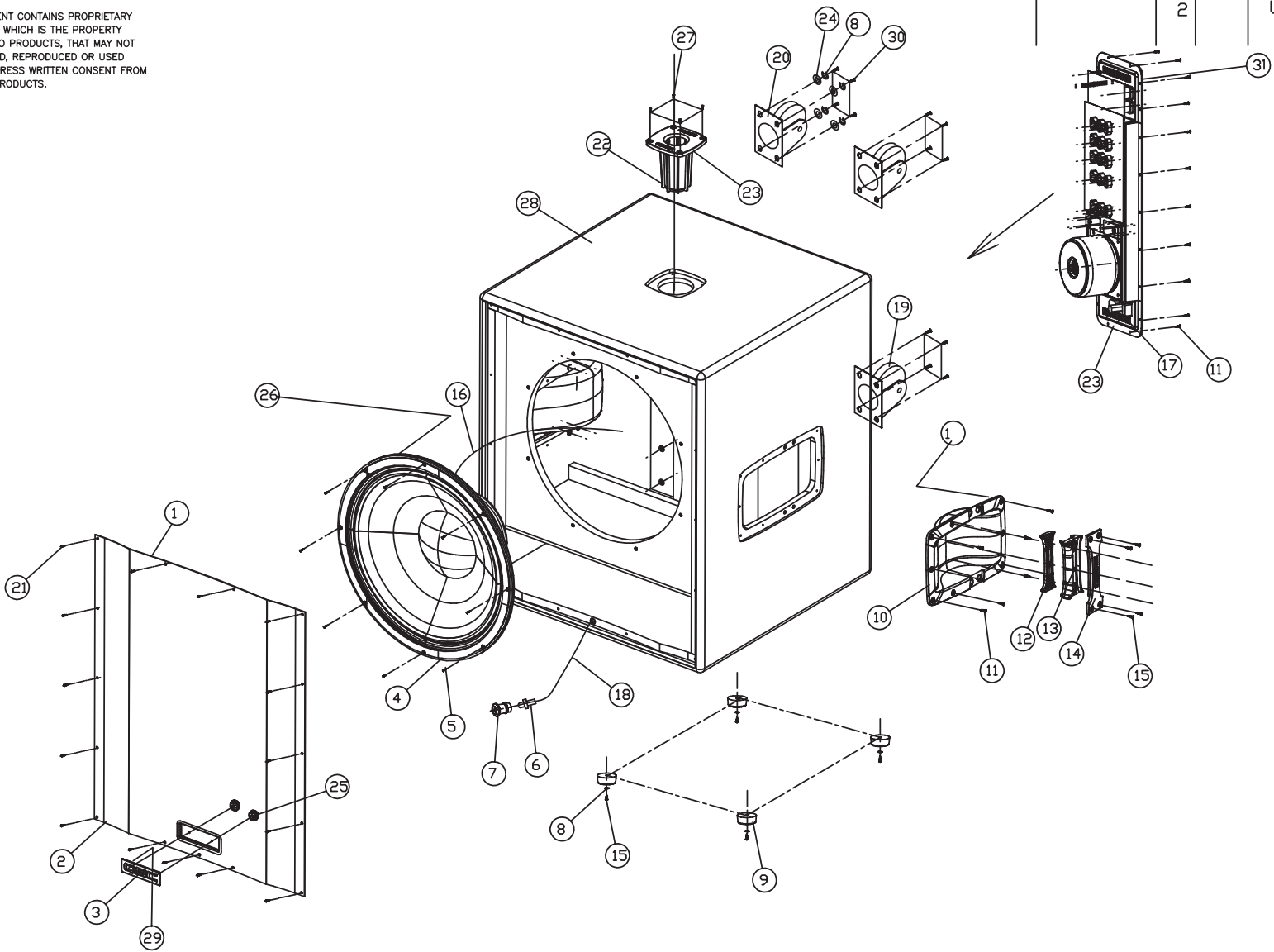


WORK TO DIMENSIONS. REMOVE ALL BURRS. ALL CASTINGS AND MOULDING TO BE FREE FROM SINKS AND BLEMISHES.

GPE EN. NO.	REV	ZONE	DESCRIPTION	DATE
	1		DRAWING RELEASE	Aug.16.06
	2		UPDATE ITEM:16	Nov.29.06

THIS DOCUMENT CONTAINS PROPRIETARY INFORMATION WHICH IS THE PROPERTY OF QSC AUDIO PRODUCTS, THAT MAY NOT BE DISCLOSED, REPRODUCED OR USED WITHOUT EXPRESS WRITTEN CONSENT FROM QSC AUDIO PRODUCTS.

A  
B  
C  
D  
E  
F



GEOMETRIC TOLERANCE & POSITIONAL TOLERANCE SHOULD BE IN ACCORDANCE WITH GB/T 1184-1996

<p>QSC AUDIO PRODUCTS, INC. 1675 MACARTHUR BOULEVARD COSTA MESA, CA 92626</p>	UNLESS OTHERWISE SPECIFIED : TOLERANCES ARE			MODEL USAGE	MATERIAL:	SIGNATURE	DATE	SIGNATURE	DATE	TITLE:EXPLODED DRAWING FOR HPR181i
	1 decimal place	±0.1mm	31 - 120mm ±0.3mm	HPR181i	UNLESS SPECIFIED COMPLY WITH THE RoHS	DRAWN: Hulsheng Wu	Aug.16.06	CHECKED:		PART NO.
	1 - 5mm	±0.1mm	121 - 315mm ±0.5mm		FINISH:	CHECKED:		CHECKED:		SCALE SIZE DRAWING NO. REV 2
	6 - 30mm	±0.2mm	OVER 315mm ±0.8mm	ALL DIMENSIONS ARE IN MM	DO NOT SCALE DRAWING	APPROVED:				NTS A4 exploded-hpr181i PAGE 1 OF 2

Item Number	Component Description	Component Item Number	Qty
1	GASKET, 1000X10X2MM, EVA B, , ,	PL-000062-GP	5
2	GRILL, , , HPR181W,	CH-000479-GP	1
3	LOGO, HPR SERIES, , , ,	PL-000440-GP	1
4	WOOFER, 18", PAPER, FERRITE, CELESTION, FTR-4080F, TR5469_GPE	SP-000080-GP	1
5	SCREW, M5X34, HEX-SOCKET, HEAD DIA 11XH5, BLK,	SC-000095-GP	8
6	LED, 3MM, BLUE SP, SLR343BB T 225419 ROHM, , ,	QD-000312-GP	1
7	LED HOLDER, FOR HPR, , , ,	PL-000479-GP	1
8	SPRING WASHER, M5X1.2X8.5, MM ZNC, ,	NW-000107-GP	20
9	FEET, HPR SUBS, , RUBBER, ,	PL-000445-GP	4
10	HANDLE CAP, FOR HPR, , , ,	PL-000076-GP	2
11	SCREW WOOD, M4X20, BIND HEAD BZ, , ,	SC-000100-GP	36
12	BOTTOM HANDLE, FOR HPR, SIDE HANDLE, ,	CH-000523-GP	2
13	RUBBER GRIP, FOR HPR SIDE HANDLE, , , ,	PL-000072-GP	2
14	REAR HANDLE, FOR HPR, ENDCAP, ,	CH-000493-GP	2
15	SCREW, M5X25, PAN HEAD, DIA 8XH2.5, BLACK,	SC-000094-GP	12
16	#16 AWG WIRE, UL1015 PIN, T65-6Y-2, , , ,	WC-000417-GP	1
17	AMP MODULE ASSY, , HPR181i, 120V, SUBWOOFER, 18" SUB	WP-181001-00	1
18	WIRE, BLACK&BLACK, 26 AWG TWIN, , , 1080MM, UL2468	WC-000420-GP	1
19	CASTER, 3 INCH, , ,	MS-000258-GP	2
20	CASTER, SWIVEL, 3 INCH, ,	MS-000259-GP	2
21	SCREW, TRUSS HEAD, M4X16, JHC030-00, ,	SC-000099-GP	14
22	HPR SUB POLE MOUNT	CH-000570-GP	1
23	EVA GASKET, 5X500, , , ,	PL-000066-GP	4
24	WASHER, M6X1X18, NI, , METAL,	NW-000109-GP	16
25	S/L WASHER, M9.7X22X0.5, , ,	NW-000105-GP	2
26	GASKET, 1300X10X4MM, EVA BK, , ,	PL-000063-GP	1
27	SCREW, PH, M5X35MM, BLACK, ,	SC-000097-GP	4
28	CABINET, FOR HPR18 SUB, , , ,	SB-000050-GP	1
29	FOAM STRIP, MP1, 406.4X6X4, SP8296, ,	PL-000065-GP	1
30	SCREW, M5X25, BLACK, , ,	SC-000093-GP	16
31	INPUT/OUTPUT PLATE (BARE), HPR181i	CH-000997-TS	1
	POWER CORD, IEC V-LOCK, 18AWG, 3M, , NEMA 5-15, ,	WC-000361-GP	1