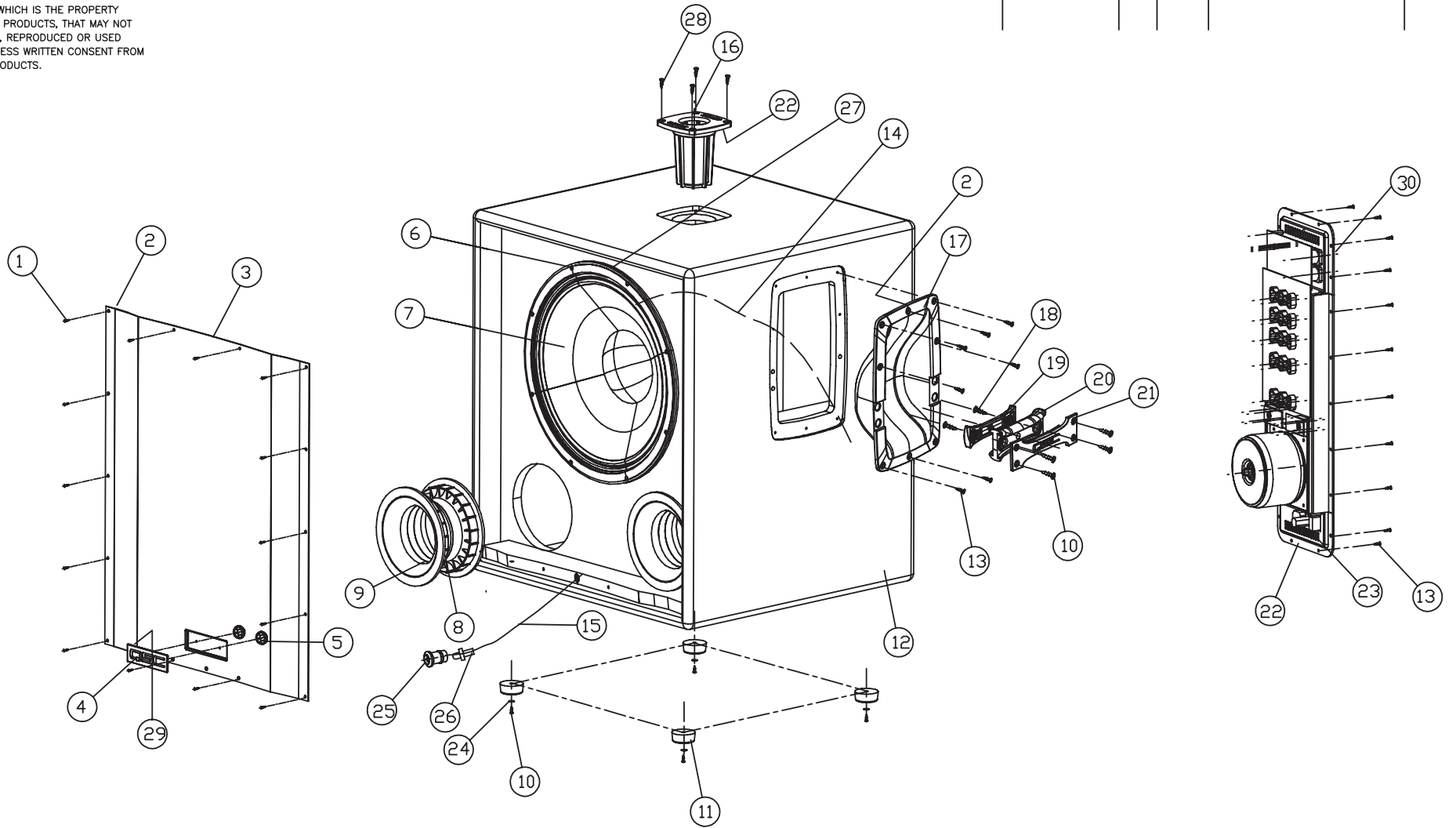




1 2 3 4 5 6
 WORK TO DIMENSIONS. REMOVE ALL BURRS. ALL CASTINGS AND MOULDING TO BE FREE FROM SINKS AND BLEMISHES.

GPE EN. NO.	REV	ZONE	DESCRIPTION	DATE
	1		DRAWING RELEASE	Aug.16.06
	2		UPDATE ITEM:5,13,14	Nov.29.06

A
 THIS DOCUMENT CONTAINS PROPRIETARY INFORMATION WHICH IS THE PROPERTY OF QSC AUDIO PRODUCTS, THAT MAY NOT BE DISCLOSED, REPRODUCED OR USED WITHOUT EXPRESS WRITTEN CONSENT FROM QSC AUDIO PRODUCTS.



F
 GEOMETRIC TOLERANCE & POSITIONAL TOLERANCE SHOULD BE IN ACCORDANCE WITH GB/T 1184-1996

QSC QSC AUDIO PRODUCTS, INC.
 1675 MACARTHUR BOULEVARD
 COSTA MESA, CA 92626

UNLESS OTHERWISE SPECIFIED : TOLERANCES ARE		MODEL	USAGE	MATERIAL:	SIGNATURE	DATE	SIGNATURE	DATE	TITLE: EXPLODED DRAWING FOR HPR151i				
1 decimal place	±0.1mm	31 - 120mm	±0.3mm	HPR151i	UNLESS SPECIFIED COMPLY WITH THE RoHS	DRAWN:Huisheng Wu	Aug.16.06	CHECKED:		PART NO.			
1 - 5mm	±0.1mm	121 - 315mm	±0.5mm		FINISH:	CHECKED:		CHECKED:		SCALE	SIZE	DRAWING NO.	REV
6 - 30mm	±0.2mm	OVER 315mm	±0.8mm	ALL DIMENSIONS ARE IN MM	DO NOT SCALE DRAWING	APPROVED:				NTS	A4	Exploded_Hpr151i	2

Item Number	Component Description	Component Item Number	Qty
1	SCREW, TRUSS HEAD, M4X16, JHC030-00,,	SC-000099-GP	14
2	GASKET, 1000X10X2MM, EVA B,,,	PL-000062-GP	5
3	GRILL,,,, HPR151W,	CH-000478-GP	1
4	LOGO, HPR SERIES,,,,	PL-000440-GP	1
5	S/L WASHER, M9.7X22X0.5,,,	NW-000105-GP	2
6	SCREW, M5X34, HEX-SOCKET, HEAD DIA 11XH5, BLK,	SC-000095-GP	8
7	WOOFER, 15", PAPER, FERRITE, CELESTION, FTR-3070E, T5468_GPE	SP-000079-GP	1
8	PAPER TUBE, FOR HPR 3WAY, 15MM,,	MS-000077-GP	2
9	PORT TUBE, FOR HPR,,,,	PL-000071-GP	4
10	SCREW, M5X25, PAN HEAD, DIA 8XH2.5, BLACK,	SC-000094-GP	12
11	FEET, HPR SUBS,, RUBBER,,	PL-000445-GP	4
12	CABINET, FOR HPR15 SUB,,,	SB-000049-GP	1
13	SCREW WOOD, M4X20, BIND HEAD BZ,,	SC-000100-GP	36
14	#16 AWG WIRE, UL1015 PIN, T65-6Y-2,,,	WC-000417-GP	1
15	WIRE, BLACK&BLACK, 26 AWG TWIN,, 1080MM, UL2468	WC-000420-GP	1
16	HPR SUB POLE MOUNT	CH-000570-GP	1
17	HANDLE CAP, FOR HPR,,,,	PL-000076-GP	2
18	SCREW, M5X12, PH BLK ZN,,	SC-000096-GP	4
19	BOTTOM HANDLE, FOR HPR, SIDE HANDLE,,	CH-000523-GP	2
20	RUBBER GRIP, FOR HPR SIDE HANDLE,,,,	PL-000072-GP	2
21	REAR HANDLE, FOR HPR, ENDCAP,,	CH-000493-GP	2
22	EVA GASKET, 5X500,,,,	PL-000066-GP	4
23	AMP MODULE ASSY,, HPR151i, 120V, SUBWOOFER, 15" SUB	WP-151001-00	1
24	SPRING WASHER, M5X1.2X8.5, MM ZNC,,	NW-000107-GP	4
25	LED HOLDER, FOR HPR,,,,	PL-000479-GP	1
26	LED, 3MM, BLUE SP, SLR343BB T 225419 ROHM,,,	QD-000312-GP	1
27	GASKET, 1300X10X4MM, EVA BK,,,	PL-000063-GP	1
28	SCREW, PH, M5X35MM, BLACK,,	SC-000097-GP	4
29	FOAM STRIP, MP1, 406.4X6X4, SP8296,,	PL-000065-GP	1
30	INPUT/OUTPUT PLATE (BARE), HPR151i	CH-000996-TS	1