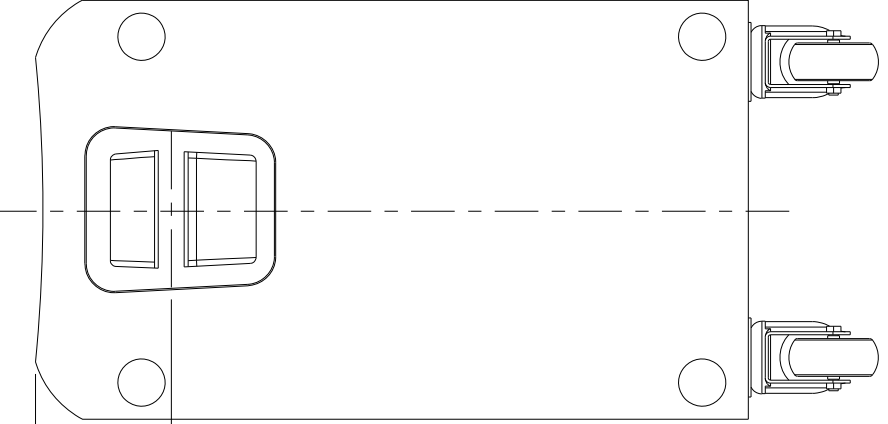
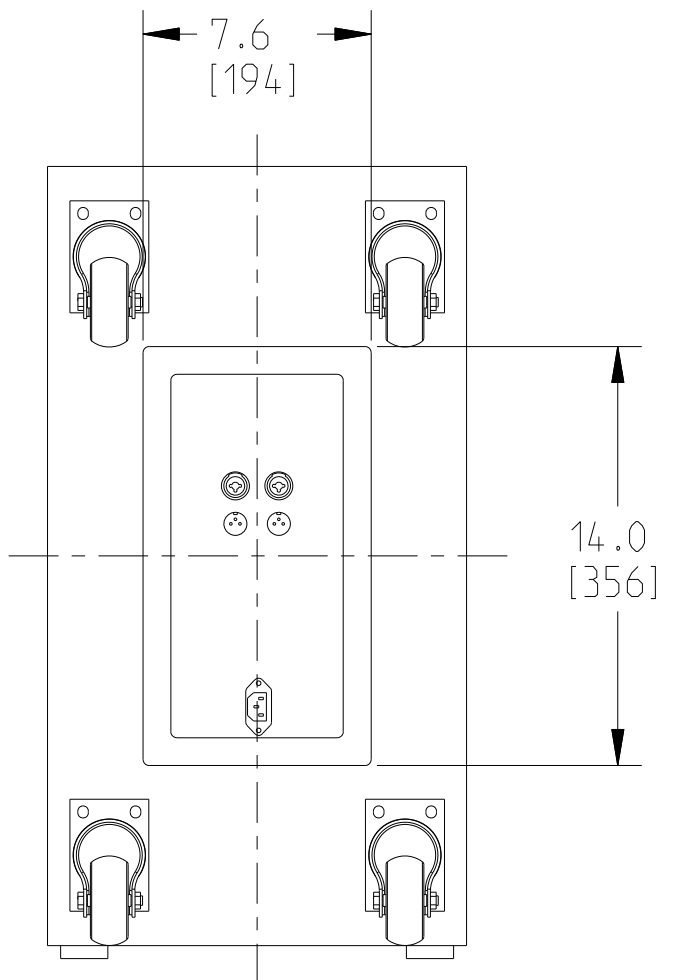
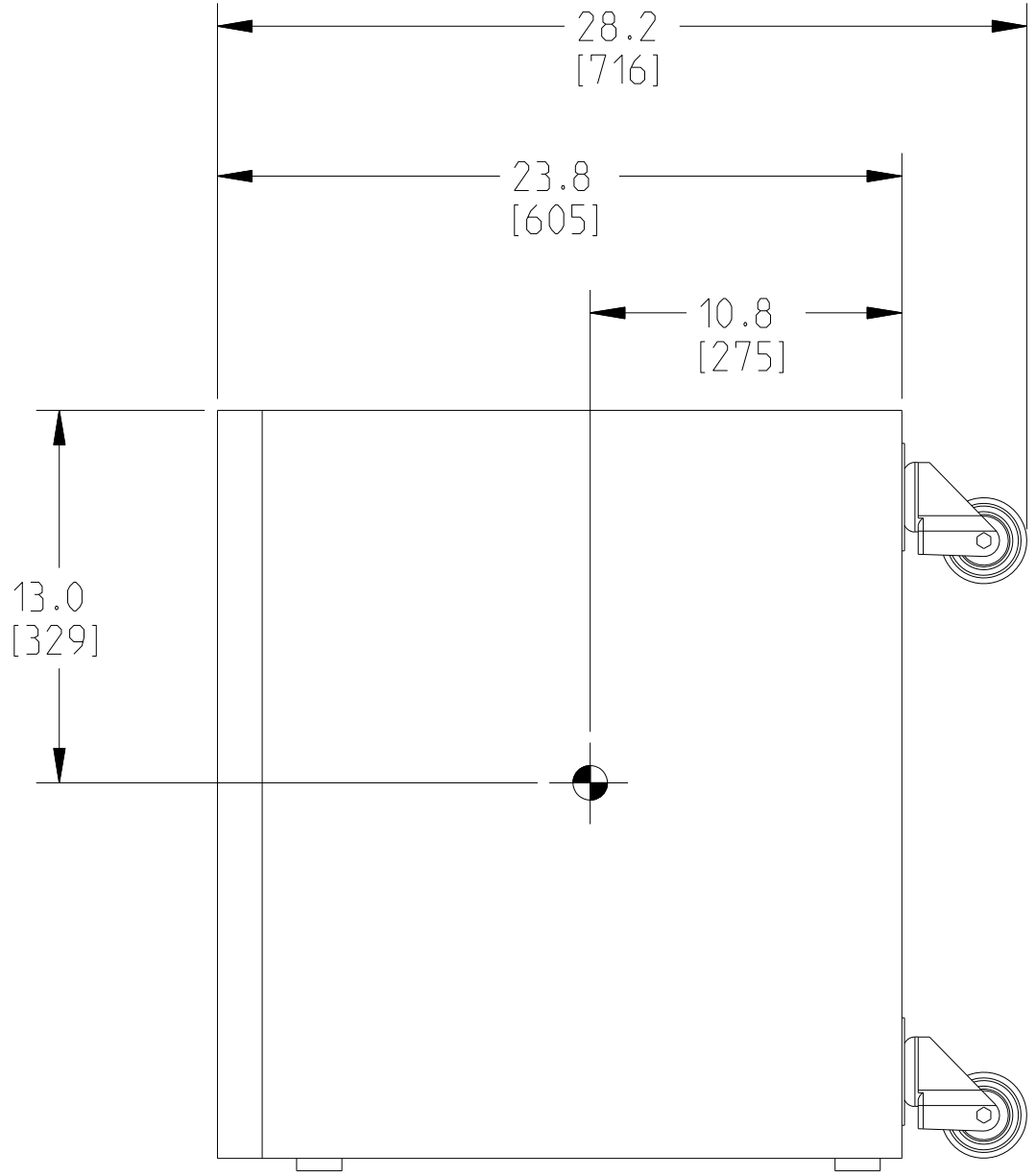
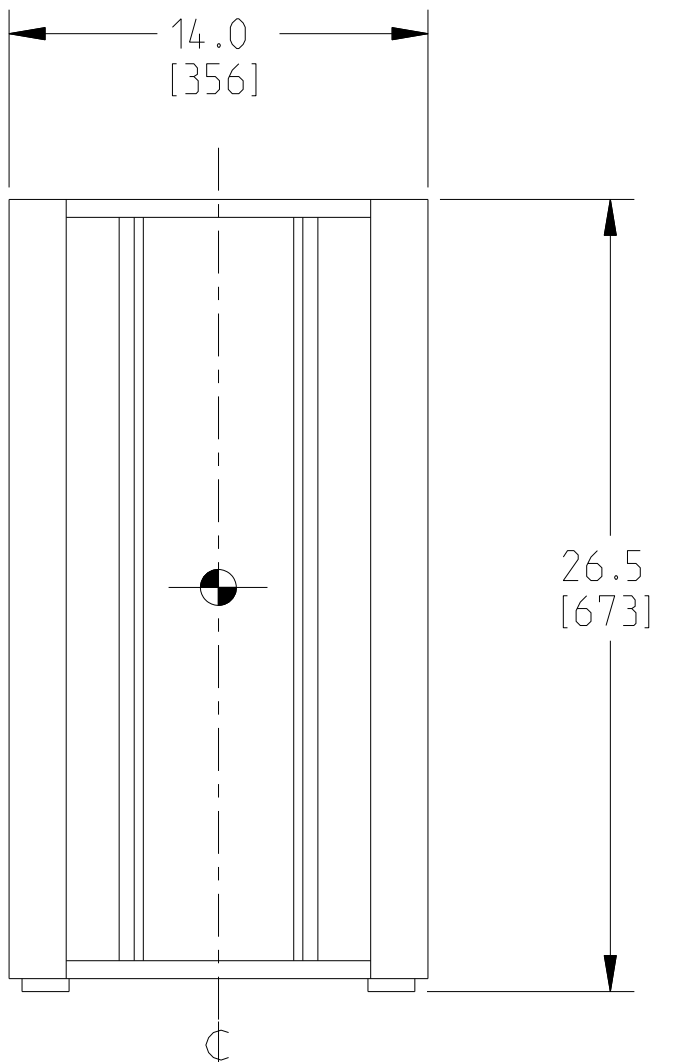
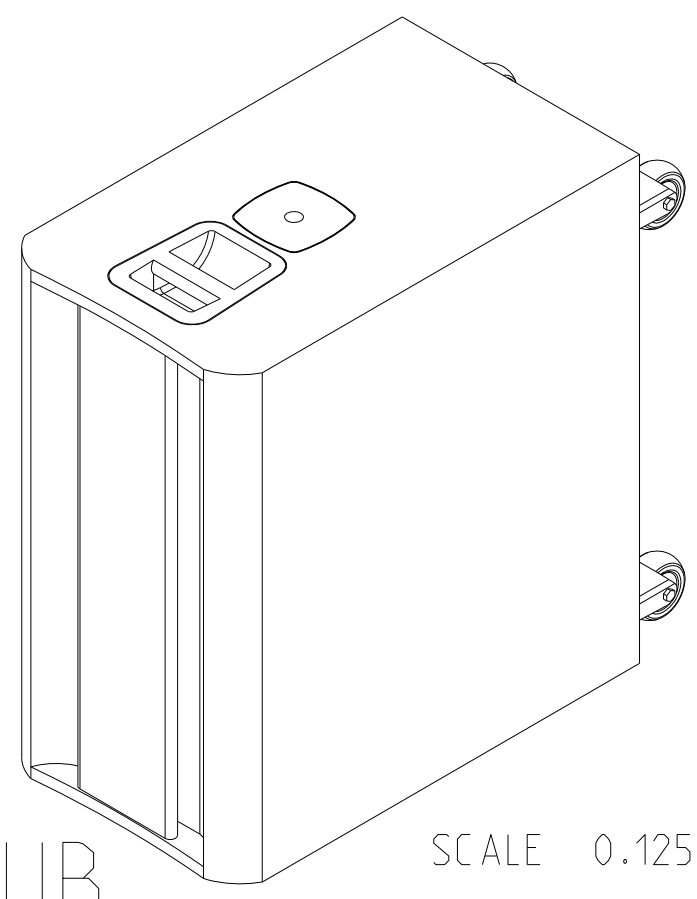
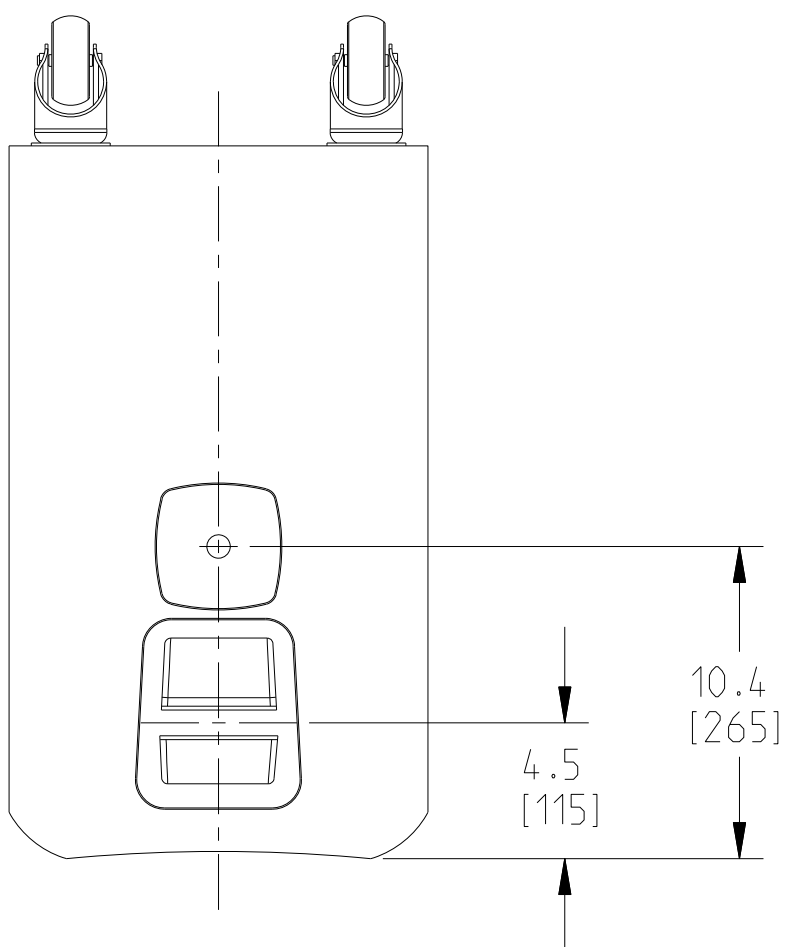


THIS DOCUMENT CONTAINS PROPRIETARY INFORMATION WHICH IS THE PROPERTY OF QSC AUDIO PRODUCTS. THAT MAY NOT BE DISCLOSED, REPRODUCED OR USED WITHOUT EXPRESS WRITTEN CONSENT FROM QSC AUDIO PRODUCTS.

REVISIONS				
REV	DESCRIPTION	EFF DATE	CHK	APVD
A	PRODUCTION RELEASE W/O CHANGE PER ECO 9238 JD	5-26-09	CD	DD



- 4. PARTS ARE SYMMETRICAL ABOUT CENTER LINES UNLESS OTHERWISE NOTED.
- 3. SYMBOL ● INDICATES CENTER OF BALANCE.
- 2. TOLERANCES (INCHES): .X ± .13. ANGLES: ± 1°.
- 1. NET WEIGHT APPROX. 74 LBS (33.6 KG)
- NOTE: UNLESS OTHERWISE SPECIFIED

UNLESS OTHERWISE SPECIFIED DIMENSIONS ARE IN INCHES.		CONTRACT NO.		QSC AUDIO PRODUCTS, LLC 1675 MACARTHUR BOULEVARD COSTA MESA, CA 92626	
TOLERANCES ARE:		APPROVALS			
DECIMALS	DECIMALS	ANGLES	DATE	SPEAKER, FINISHED, KSUB	
.XX ± .02	.XXX ± .010	± 1/2	26-May-09		
DEBURR EDGES .010 R MAX			ISSUED		
MATERIAL A.0			0		
FINISH NONE			ISSUED	SIZE C	CAGE CODE 00PW4
DO NOT SCALE DRAWING			RD-000524-02.A.0	DWG NO. RD-000524-01	REV A
			SCALE 0.156	SHEET 1 of 1	