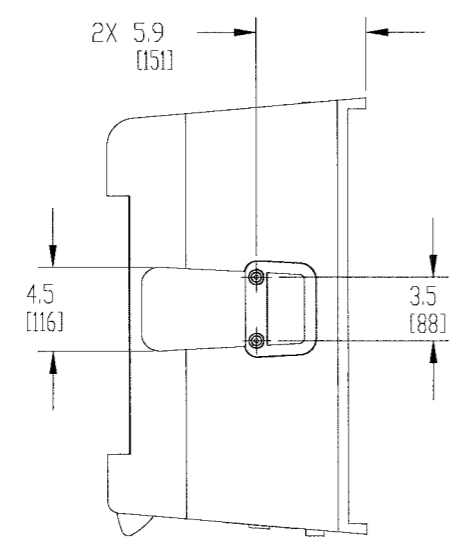
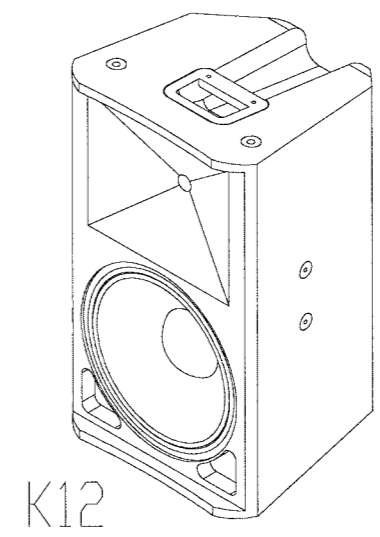
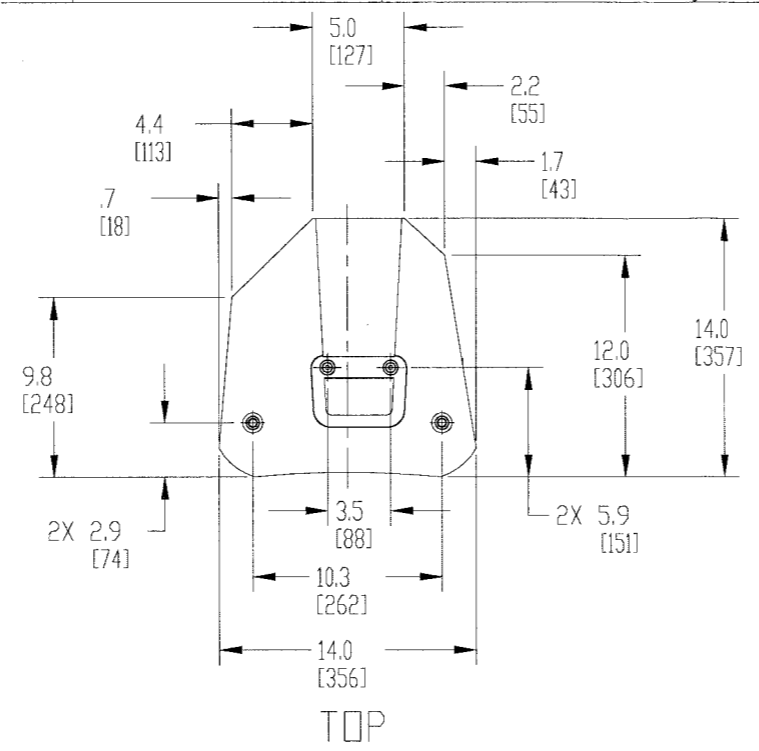
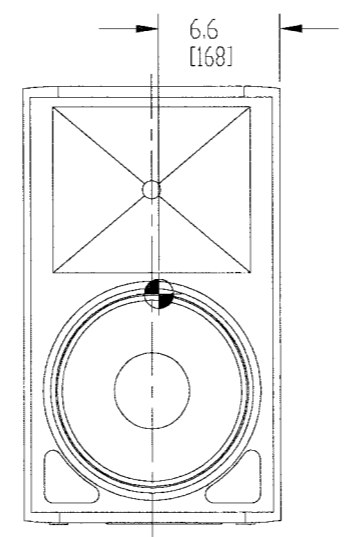


THIS DOCUMENT CONTAINS PROPRIETARY INFORMATION WHICH IS THE PROPERTY OF QSC AUDIO PRODUCTS THAT MAY NOT BE DISCLOSED, REPRODUCED OR USED WITHOUT EXPRESS WRITTEN CONSENT FROM QSC AUDIO PRODUCTS.

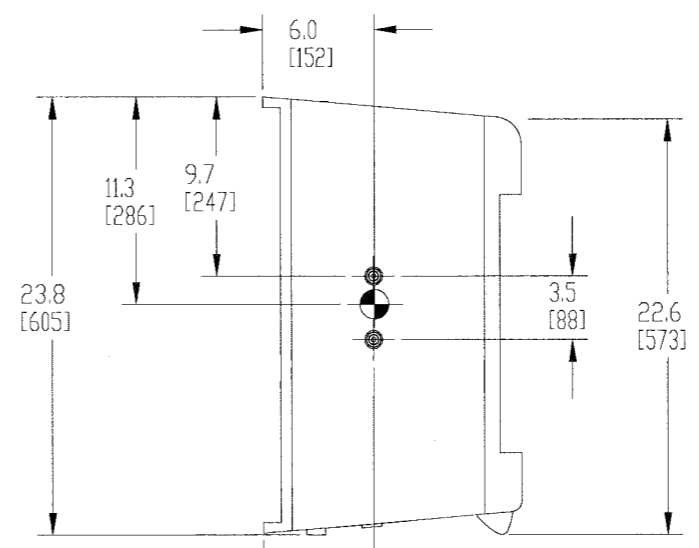
REVISIONS				
REV	DESCRIPTION	EFF DATE	CHK	APVD
A	PRODUCTION RELEASE W/O CHANGE PER ECO 9231 JD	5-20-09	CD	DD



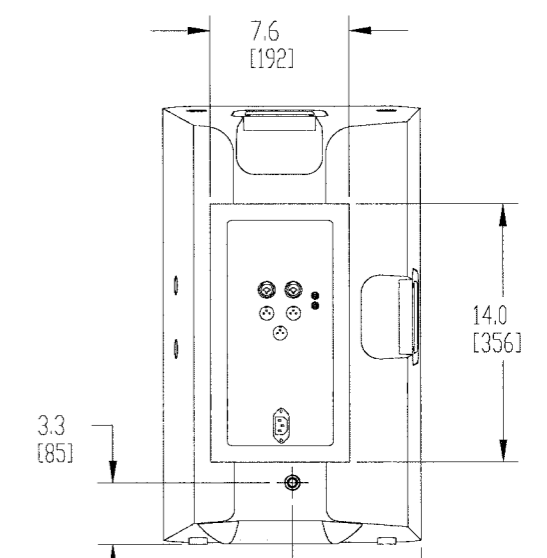
LEFT



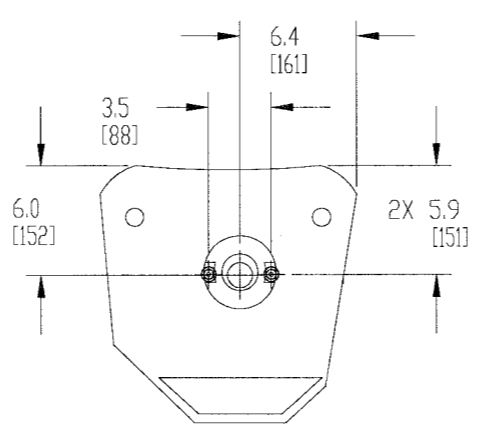
FRONT



RIGHT



REAR



BOTTOM

- 5. PARTS ARE SYMMETRICAL ABOUT CENTER LINES UNLESS OTHERWISE NOTED.
- 4. SYMBOL INDICATES CENTER OF BALANCE.
- 3. SYMBOL INDICATES SUSPENSION POINT, 11 TOTAL:
 - 2 EA M10-1.5 THD - TOP PANEL
 - 2 EA M5-0.8 THD - TOP PANEL
 - 2 EA M5-0.8 THD - BOTTOM PANEL
 - 2 EA M5-0.8 THD - RIGHT PANEL
 - 2 EA M5-0.8 THD - LEFT PANEL
 - 1 EA M10-1.5 THD- REAR PANEL
- 2. TOLERANCES (INCHES): .X ± .13, ANGLES: ± 1°.
- 1. NET WEIGHT APPROX. 41 LBS (18.6 KG)
- NOTE: UNLESS OTHERWISE SPECIFIED

UNLESS OTHERWISE SPECIFIED DIMENSIONS ARE IN INCHES. TOLERANCES ARE: DECIMALS DECIMALS ANGLES .XX ±.02 .XXX ±.010 ±1/2 DEBURR EDGES .010 R MAX	CONTRACT NO.		QSC QSC AUDIO PRODUCTS, LLC 1675 MACARTHUR BOULEVARD COSTA MESA, CA 92626			
	APPROVALS	DATE	SPEAKER, FINISHED, K12			
DRAWN J. DELARM	20-May-09	SIZE			CAGE CODE	DWG NO.
MATERIAL NONE	CHECKED C. DAVIES	5-18-09	C	00PW4	RD-000523-01	A
FINISH NONE	ISSUED G. TSCHETTER	5-19-09	SCALE	0.156	RD-000523-01A.0	SHEET 1 of 1
DO NOT SCALE DRAWING	RD-000523-02.main.A.0	MODEL INFO	3	DRAWING INFO	2	1

Printed from the QSC - Costa Mesa DP System

RELEASED