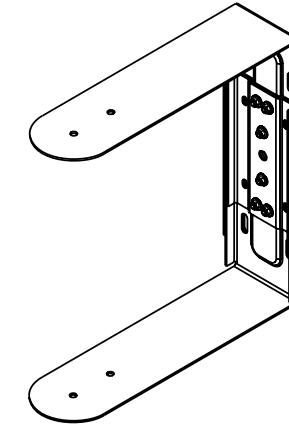
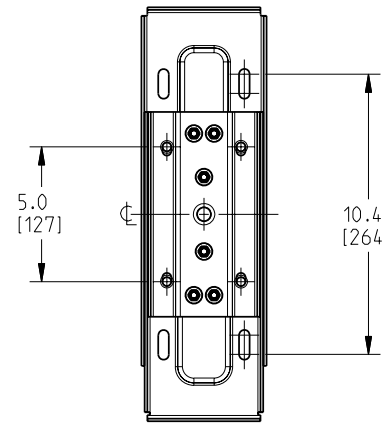
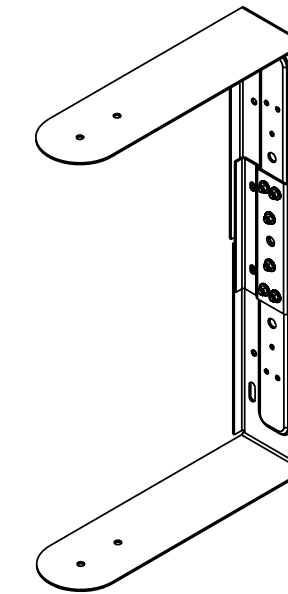
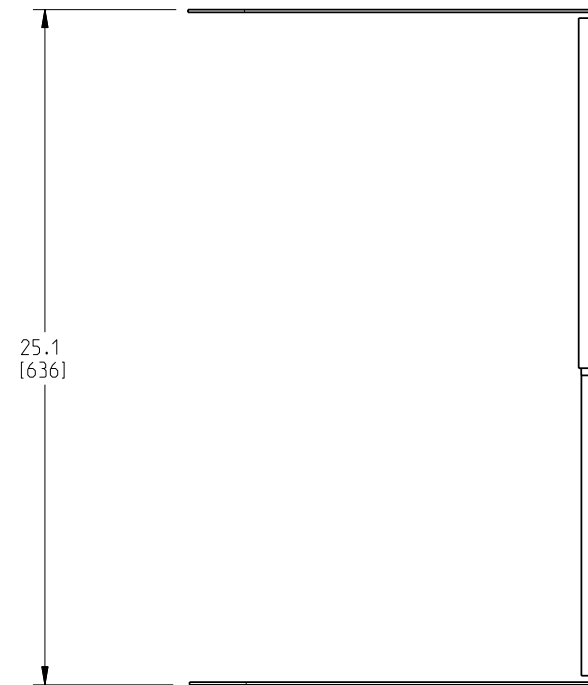
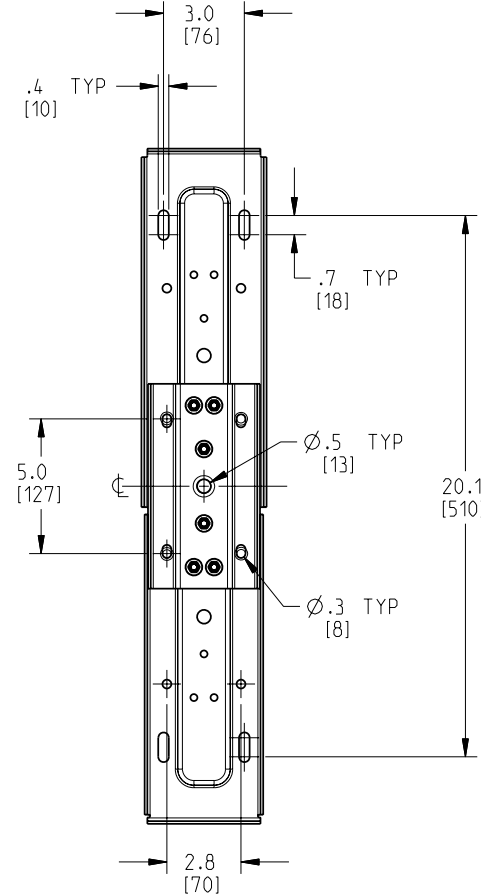


THIS DOCUMENT CONTAINS PROPRIETARY INFORMATION WHICH IS THE PROPERTY OF QSC AUDIO PRODUCTS. THAT MAY NOT BE DISCLOSED, REPRODUCED OR USED WITHOUT EXPRESS WRITTEN CONSENT FROM QSC AUDIO PRODUCTS.

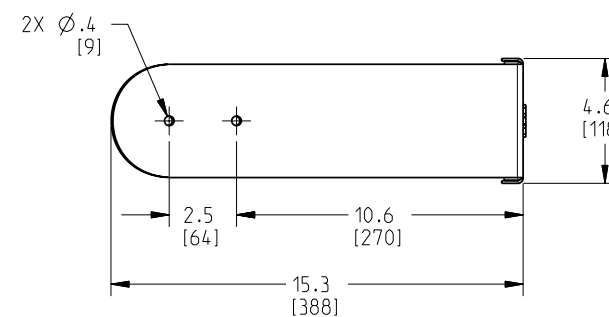
REVISIONS					
REV	ECO	DESCRIPTION	BY	EFF DATE	ISSUED
A	-	RELEASE	JD	16-NOV-10	DD



SCALE 0.219



SCALE 0.219



- 4. PARTS ARE SYMMETRICAL ABOUT CENTER LINES UNLESS OTHERWISE NOTED.
 - 3. SYMBOL © INDICATES SUSPENSION POINT.
 - 2. TOLERANCES (INCHES): .X ± .13, ANGLES: ± 1°.
 - 1. NET WEIGHT APPROX. 9 LBS (4.1 KG)
- NOTE: UNLESS OTHERWISE SPECIFIED

UNLESS OTHERWISE SPECIFIED DIMENSIONS IN INCHES (MM) TOLERANCES ARE: DECIMALS .XX ± .02 (51) FRACTIONS 1/16 ± 1/32 (0.76) ANGLES ± 1/2 DEBURR EDGES .010 (0.25) R MAX	APPROVALS	DATE (DD-MMM-YY)	QSC AUDIO PRODUCTS, LLC 1675 MACARTHUR BOULEVARD COSTA MESA, CA 92626
	DRAWN J. DELARM	04-NOV-10	
	CHECKED B. HAWKINS	09-NOV-10	
	QA CHECK J. O'CONNOR	16-NOV-10	
FINISH	DRAWING INFO: FG-000372-2D.A.2		SIZE D
	MODEL INFO: FG-000372-3D.A.0	SCALE: 0.281	CAGE CODE 00PW4
DRAWING NO. FG-000372-2D			REV A
DO NOT SCALE DRAWING			SHEET 1 OF 1