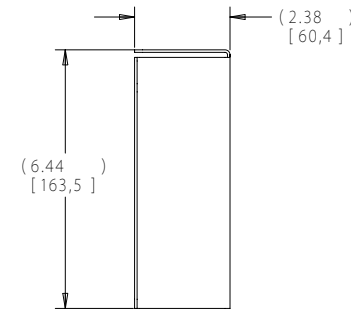
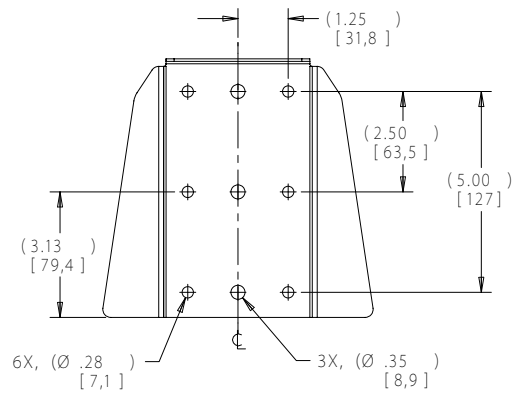
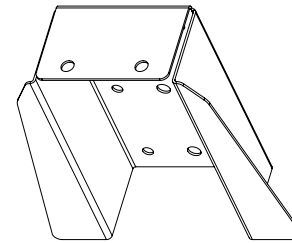
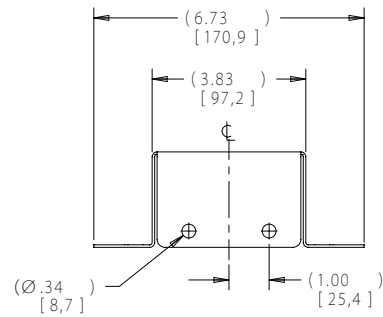


THIS DOCUMENT CONTAINS PROPRIETARY INFORMATION.
 WHICH IS THE PROPERTY OF QSC AUDIO PRODUCTS, INC.
 IT MAY NOT BE REPRODUCED OR TRANSMITTED IN ANY FORM OR BY ANY MEANS, ELECTRONIC OR MECHANICAL, WITHOUT
 THE EXPRESS WRITTEN PERMISSION OF QSC AUDIO PRODUCTS, INC.

REVISIONS				
REV	DESCRIPTION	EFF DATE	CHK	APPROVED DATE
A	RELEASE PER ECO 7343 JD	7-28-06		B.H.



1. PARTS ARE SYMMETRICAL ABOUT CENTER LINES UNLESS OTHERWISE NOTED.
 NOTE: UNLESS OTHERWISE SPECIFIED

UNLESS OTHERWISE SPECIFIED DIMENSIONS ARE IN INCHES. TOLERANCES ARE: DECIMALS DECIMALS ANGLES .XX ±.02 .XXX ±.010 ±1/2 DEBURR EDGES .010 R MAX	CONTRACT NO.		QSC AUDIO PRODUCTS, INC. 1675 MACARTHUR BOULEVARD COSTA MESA, CA 92626
	APPROVALS	DATE	
	DRAWN J. DELARM	28-Jul-06	
	CHECKED B. HAWKINS	28-Jul-06	
MATERIAL NONE	ISSUED A. RUTKIN	28-Jul-06	BRACKET, QUICK MOUNT, QM - SW
FINISH NONE	ISSUED D. DELARM	28-Jul-06	
DO NOT SCALE DRAWING	CH - 000443 - GP.main.A.0	SCALE 0.50d	
RD - 000382 - 01.A.7		SHEET 1 of 1	

DWG NO. RD-000382-01
 1
 REV A