

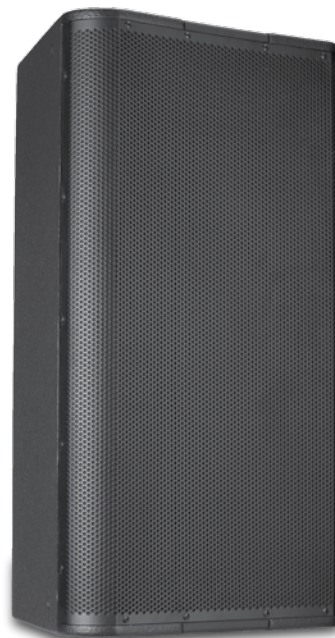


## SR-5152

### High Power Cinema Surround Loudspeaker

#### Features

- Extremely high output loudspeaker for immersive sound surround formats in the largest cinemas
- DMT™ (Directivity Matched Transition) ensures smooth, coherent power response throughout the listening area
- Axisymmetric horn
- 15" (381 mm) woofer with 4.0" (102mm) voice coil
- 3.0" (76mm) voice coil compression driver
- M10 threaded inserts and yoke mount fittings offer flexible and safe deployment options for a variety of applications
- NL4 Speakon™ connector and covered barrier strip terminals
- Bi-Amp / Passive switchable
- 15-ply Baltic birch plywood construction



The new immersive sound surround formats place greater performance demands on surround loudspeakers in terms of frequency response, output capability, and mounting flexibility. QSC's SR-5152 loudspeaker meets these challenges with headroom to spare.

The SR-5152 AcousticPerformance Cinema Surround Loudspeaker features a high power-capacity, 3" (76mm) diaphragm compression driver and a 15" (381mm) woofer to deliver exceptional full bandwidth reproduction.

The uniform power-response of this loudspeaker is a result of DMT™ (Directivity Matched Transition), a design approach that matches LF and HF coverage in the crossover region. Another key to the extraordinary accuracy and flat power response of the SR-5152 is the axisymmetric waveguide which provides uncompromised performance in both the vertical and horizontal axes. The SR-5152 provides high output coverage over a 75° angle, ideal for very large cinemas with high ceilings.

The SR-5152 may be used as a passive (full-range) loudspeaker to minimize amplifier channel count or it may be bi-amplified for greater control and performance. To further enhance performance, bi-amp and full-range tunings using QSC Intrinsic Correction techniques are available for Q-Sys and future QSC products.

The SR-5152 enclosure features M10 mounting points for suspension via eye-bolts as well as mount points for an optional yoke bracket. In addition, four M8 mounting points on the rear of the enclosure accept industry standard multi-mount type wall brackets.

# SR-5152 Details

| System Details                           | SR-5152  |
|--|--|
| Frequency Range (-10dB) <sup>1</sup>     | 44 Hz to 18 kHz  |
| Rated Noise Power (Voltage) <sup>2</sup> | 625W continuous (70.7 V rms)   |
| Sensitivity <sup>3</sup>                 | 96 dB, 1W@1m   |
| Rated Coverage Angle (-6 dB)             | 75° Axisymmetric   |
| Maximum Rated SPL <sup>4</sup>           | 123 dB @ 1m, continuous<br>129 dB @ 1m, peak                                 |
| Rated Impedance                          | 8Ω   |
| Recommended Amplifier Power              | 1000 Watts   |
| HF Transducer                            | 3" (76 mm) voice coil compression driver                                     |
| LF Transducer                            | 15" (381 mm) driver with 4" voice coil                                       |
| <b>Enclosure Details</b>                 |  |
| Input Connector                          | 4-position barrier strip, accepts up to #10 AWG stranded wire, NL4 connector |
| Enclosure Material                       | 15-ply Baltic birch plywood  |
| Grille                                   | 16 Gauge powder coated steel   |
| Environmental                            |  |
| Dimensions (HxWxD)                       | 32" x 17.5" x 15.2" (813 mm x 445 mm x 386 mm)                               |
| Net Weight                               | 80 lb (36.2 kg)  |
| Shipping Weight                          | 90 lb (40.8 kg)  |
| Included Accessories                     | M10 threaded inserts   |
| Optional Accessories                     | M10 Kit-W  |

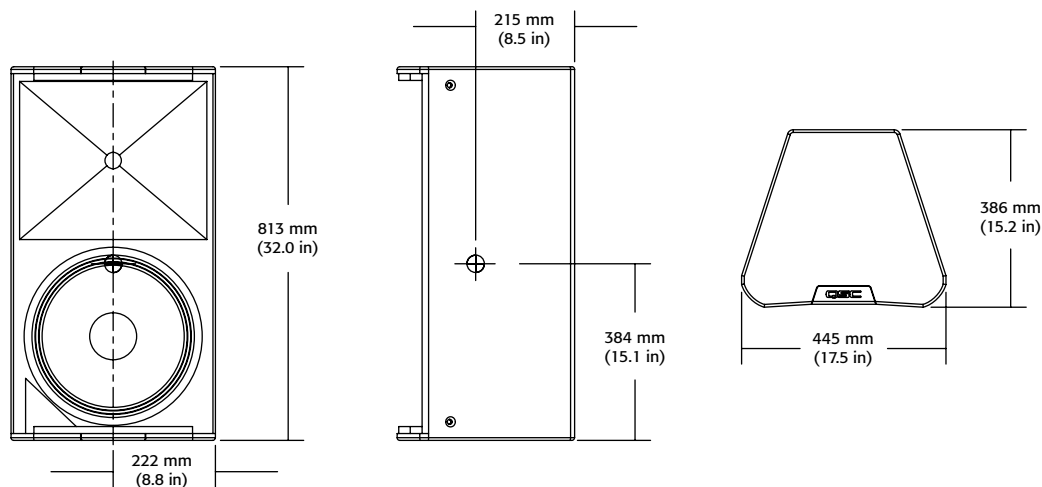
As part of QSC's ongoing commitment to product development, specifications are subject to change without notice.

<sup>1</sup> Free-field, -10 dB from on-axis sensitivity

<sup>2</sup> IEC60268-1 noise signal for 2 Hrs

<sup>3</sup> On-Axis, free-field sensitivity, 2.83V, 1 m

<sup>4</sup> Calculated from rated noise voltage and sensitivity



Specifications subject to change without notice.

# QSC™

1675 MacArthur Boulevard • Costa Mesa, CA 92626 • Ph: 800/854-4079 or 714/957-7100 • Fax: 714/754-6174



please recycle

© 2015 QSC Audio Products, LLC. All rights reserved. QSC and the QSC logo are registered trademarks of QSC Audio Products, LLC in the U.S. Patent and Trademark office and other countries. DMT is a trademark of QSC. Speakon is a registered trademark of Neutrik