
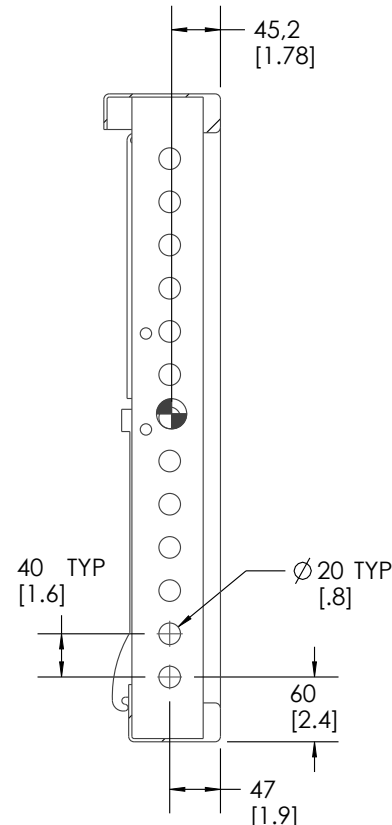


THIS DOCUMENT CONTAINS CONFIDENTIAL OR PROPRIETARY INFORMATION WHICH IS THE PROPERTY OF QSC, LLC, THAT MAY NOT BE DISCLOSED, REPRODUCED OR USED WITHOUT EXPRESS WRITTEN CONSENT FROM QSC, LLC. NO PORTION OF THIS DOCUMENT MAY BE REPRODUCED, REDISTRIBUTED, OR OTHERWISE DISCLOSED TO ANY THIRD PARTY WITHOUT QSC'S WRITTEN PERMISSION.

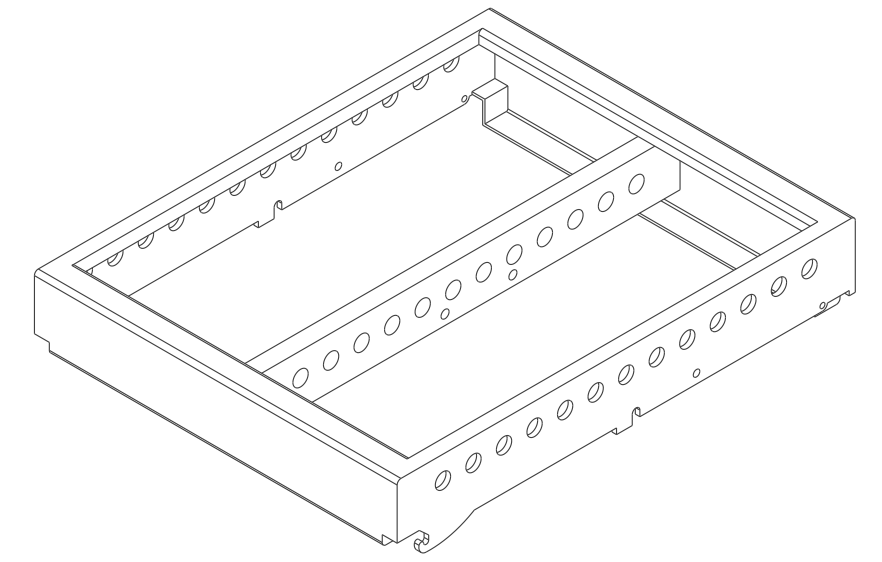
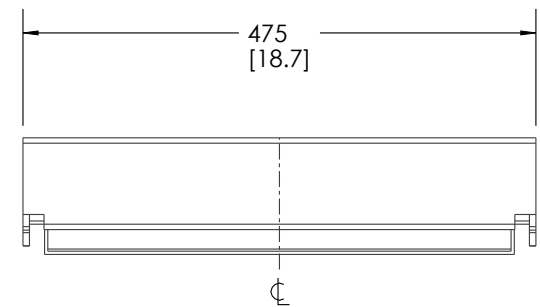
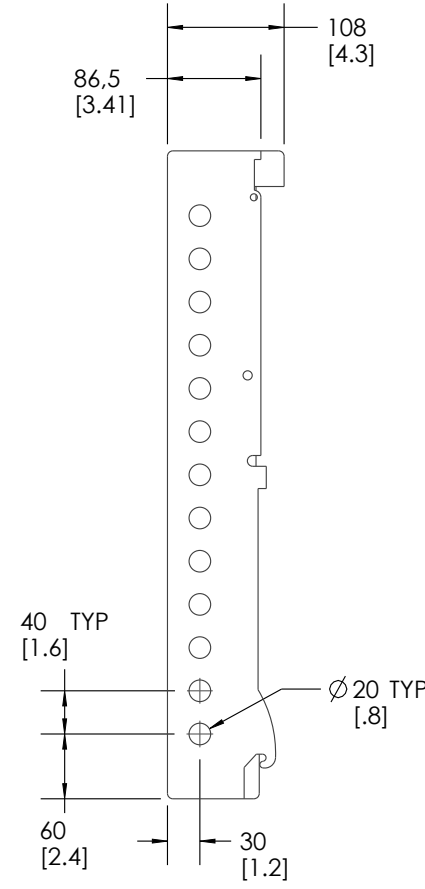
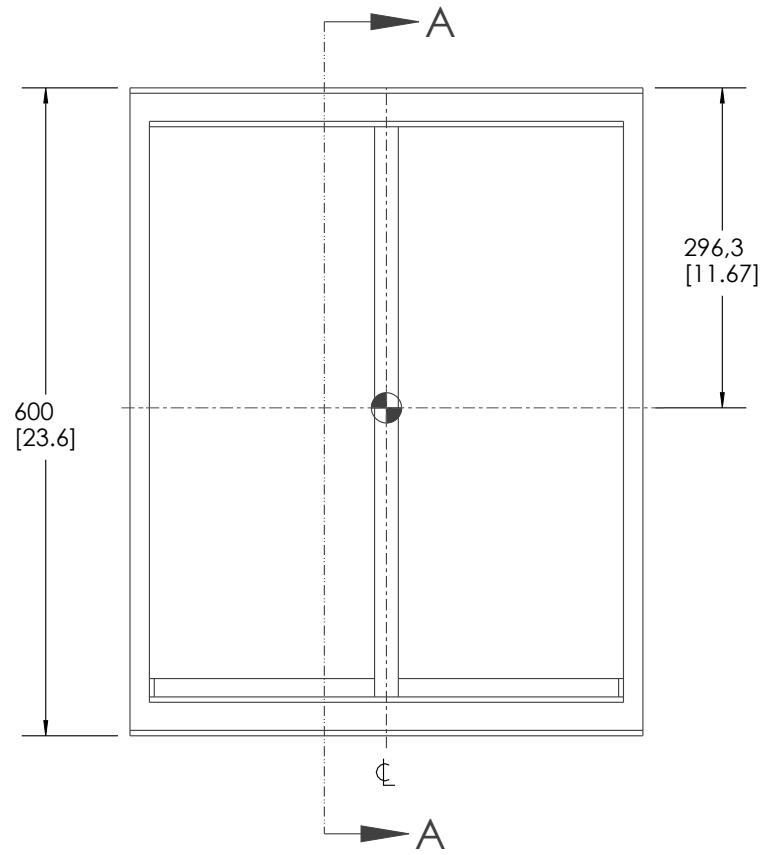
REVISION			
REV	DESCRIPTION	BY	DATE
A	INITIAL RELEASE	MD	30-SEP-22



NOTES: UNLESS OTHERWISE SPECIFIED

- NET WEIGHT APPROX. 11.1 KG [24.4 LBS].
- PARTS ARE SYMMETRICAL ABOUT CENTER LINES UNLESS OTHERWISE NOTED.
- SYMBOL  INDICATES CENTER OF GRAVITY.



SECTION A-A



UNLESS OTHERWISE SPECIFIED DIMENSIONS ARE IN MM [IN] TOLERANCES ARE: DECIMALS .X ± 3.0 [0.12] ANGLES ± 1° ANGLES ± 1° XX ±	CAD GENERATED DRAWING DO NOT MANUALLY UPDATE	 QSC, LLC 1675 MACARTHUR BOULEVARD COSTA MESA, CA 92626 USA	
	APPROVALS		
MATERIAL SEE NOTES	DRAWN BY M. DAVILA	ACCESSORY, LA108-AF,2D	
FINISH SEE NOTES	MECH ENGINEER T. AMUNDSON		
DO NOT SCALE DRAWING	TECH DIRECTOR R. VAUCHER		
PROJECTION SYMBOL 	MFG ENGINEER C. YOMOGIDA		
SIZE B	CAGE CODE 00PW4	DWG. NO. FG-901338-2D	REV A
SCALE: 1:8		CAD FILE: FG-901338-2D.A.8	SHEET: 1 OF 1