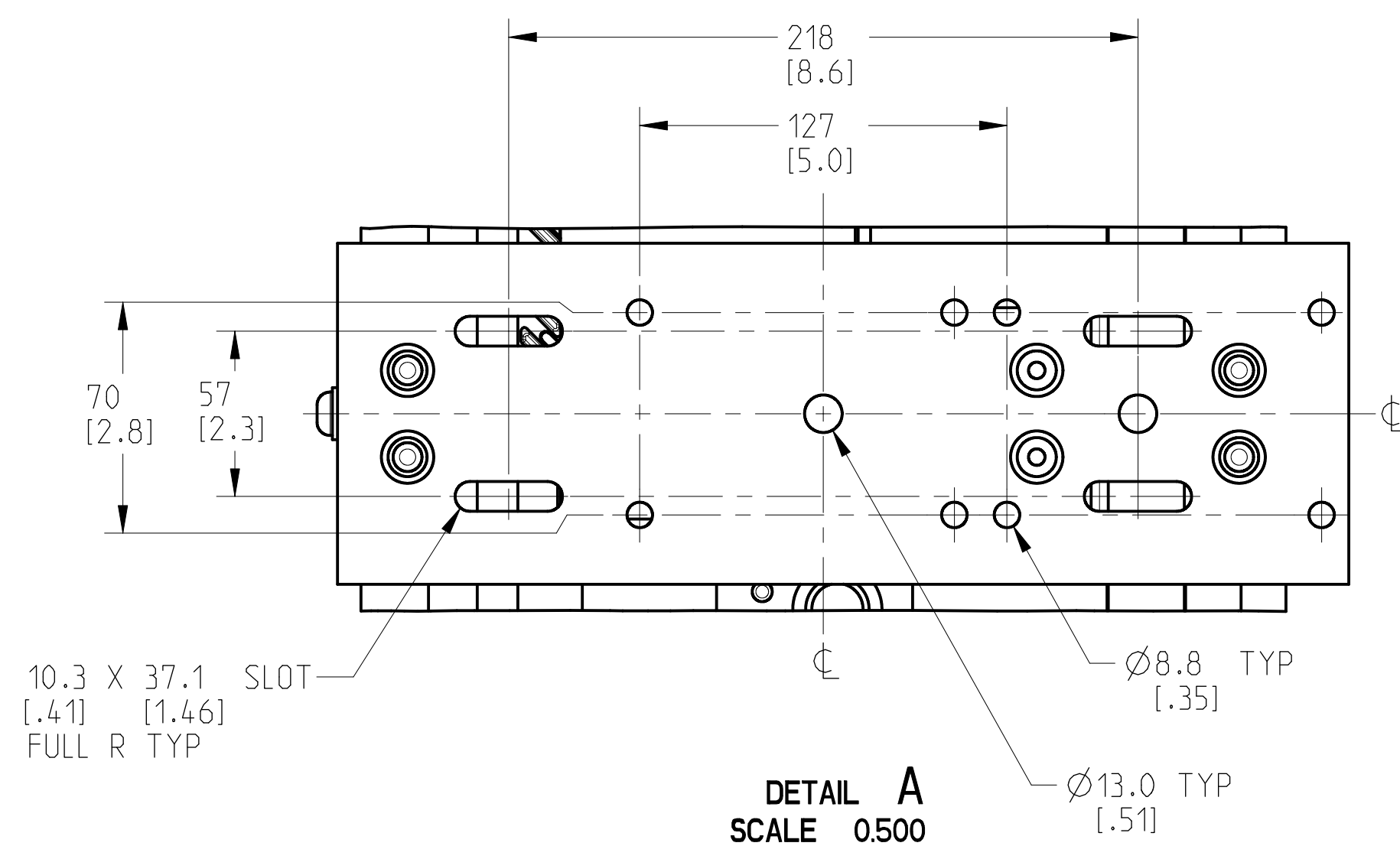
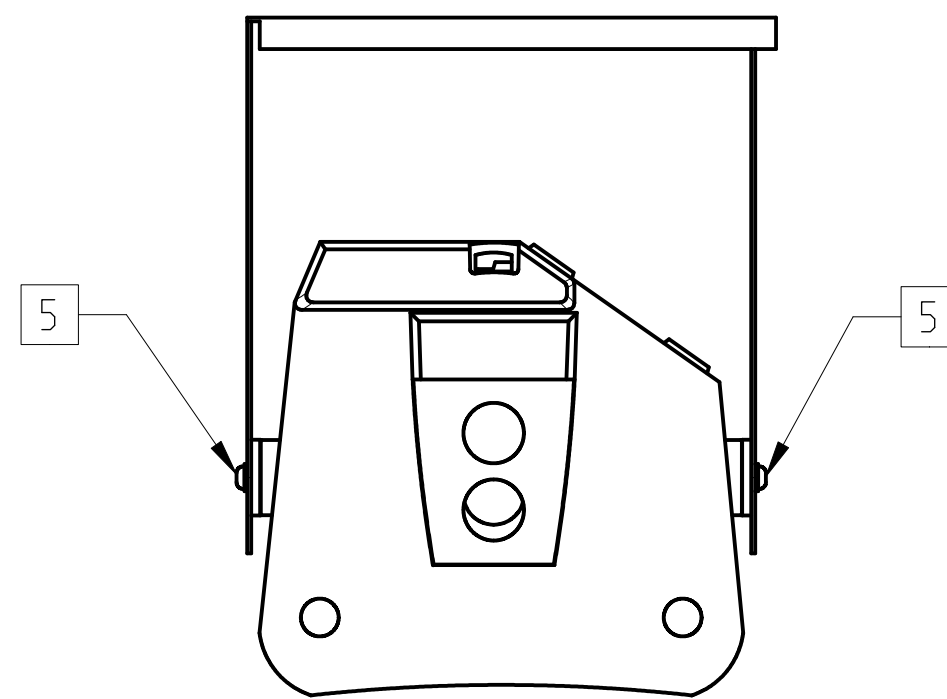
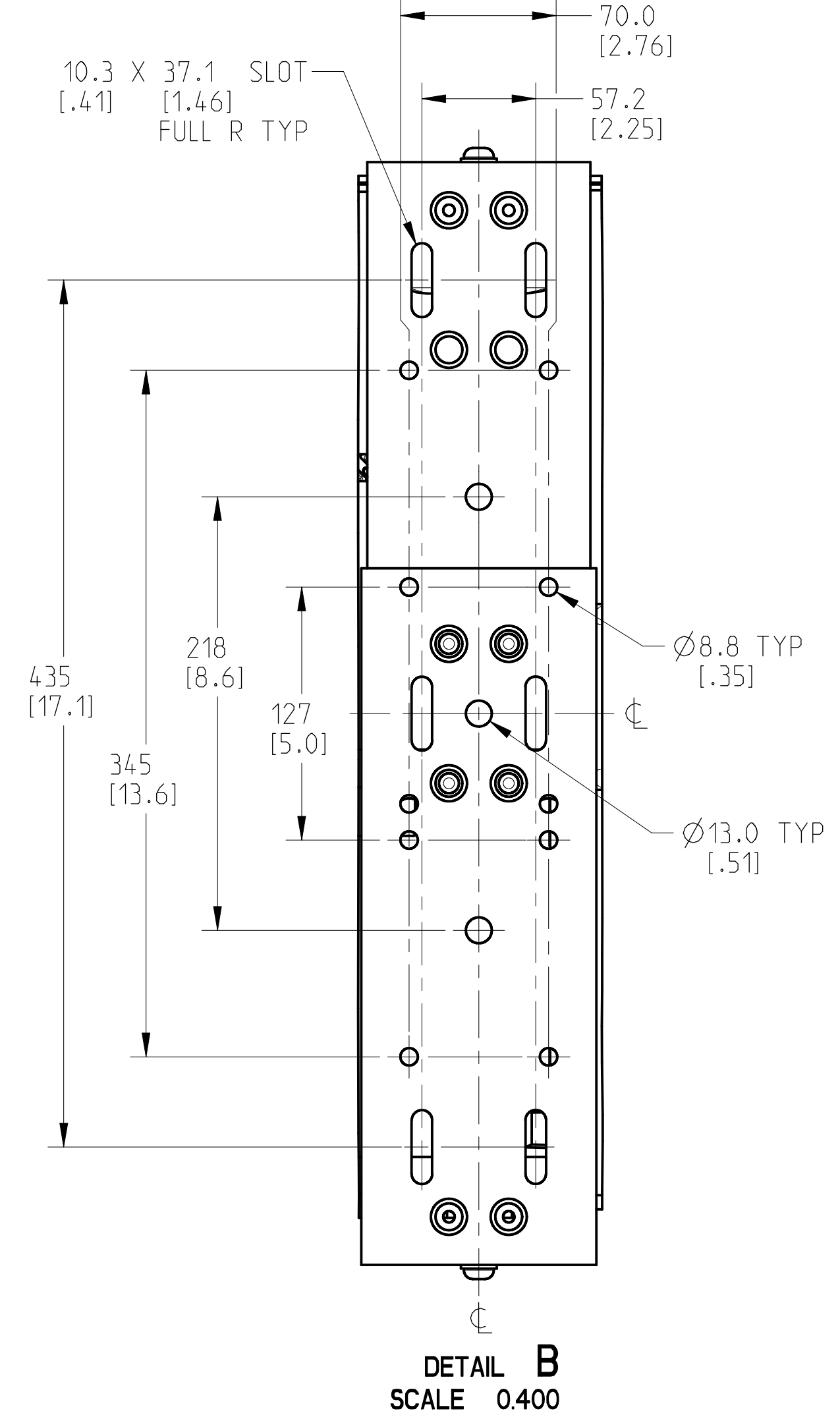
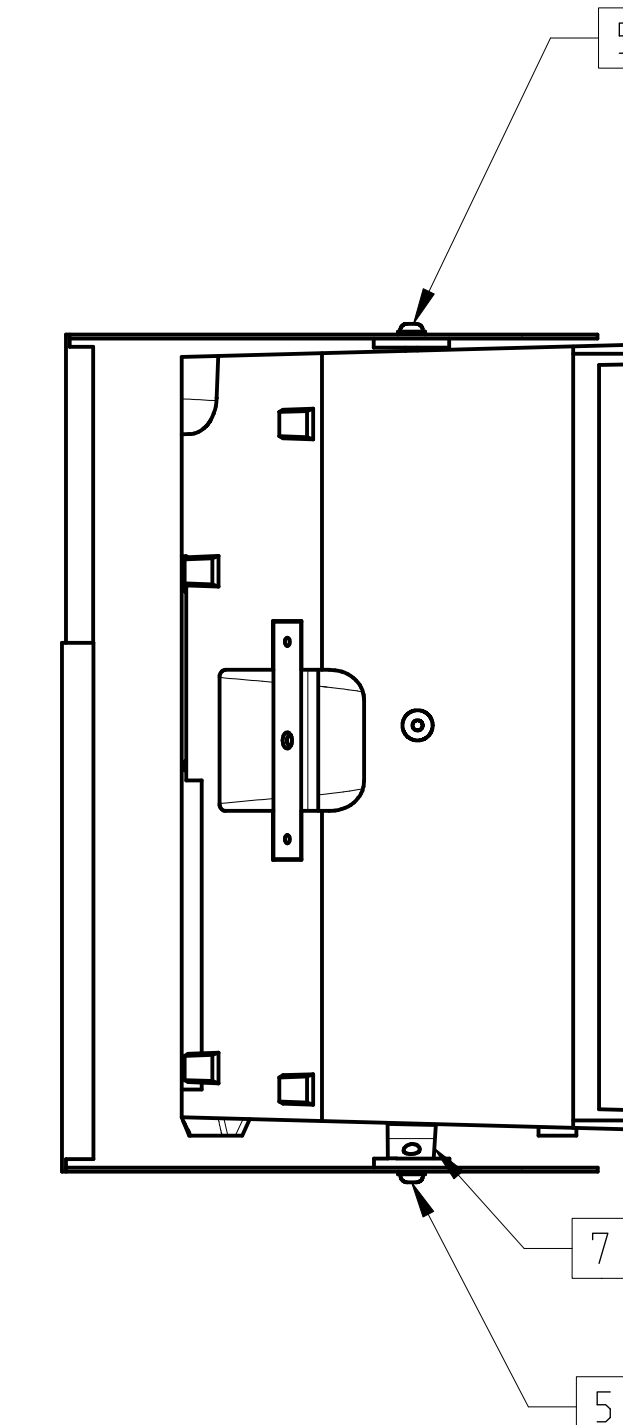
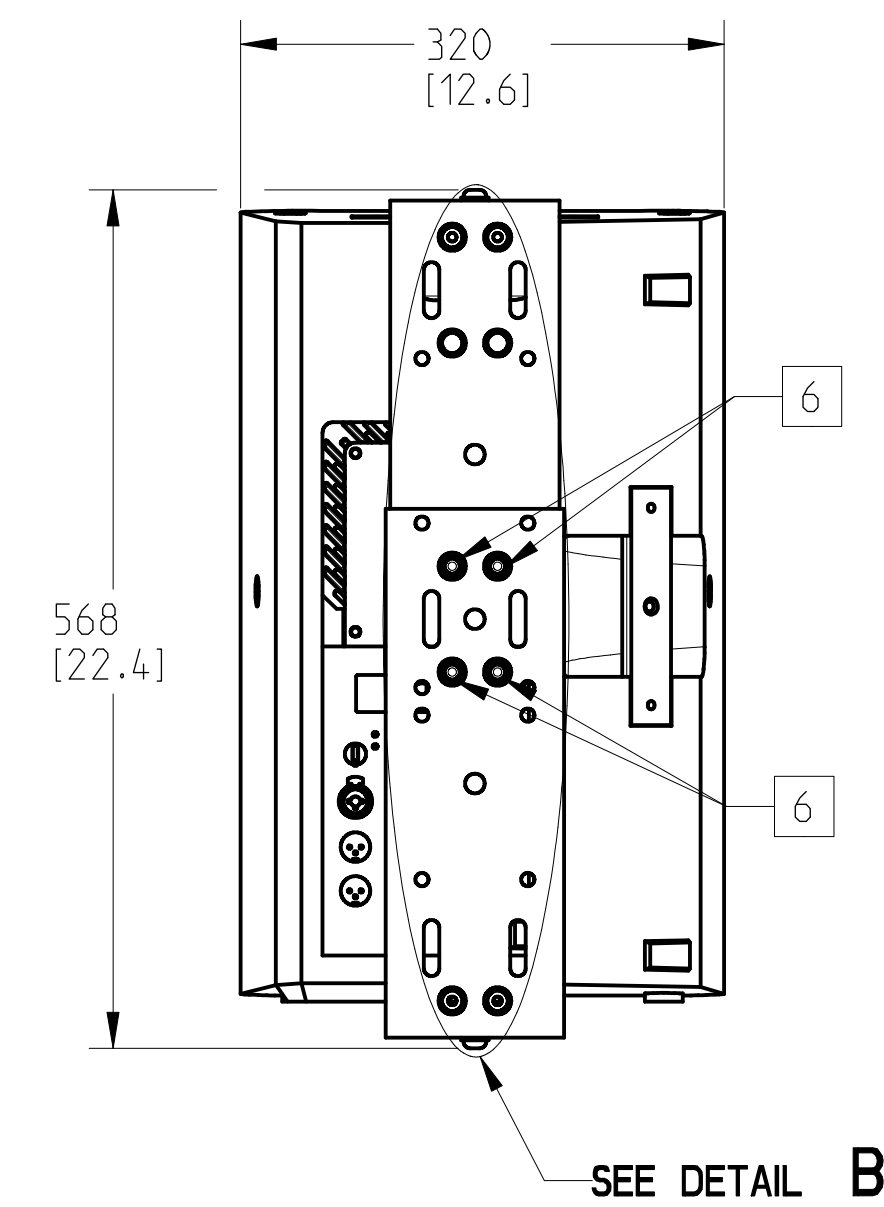
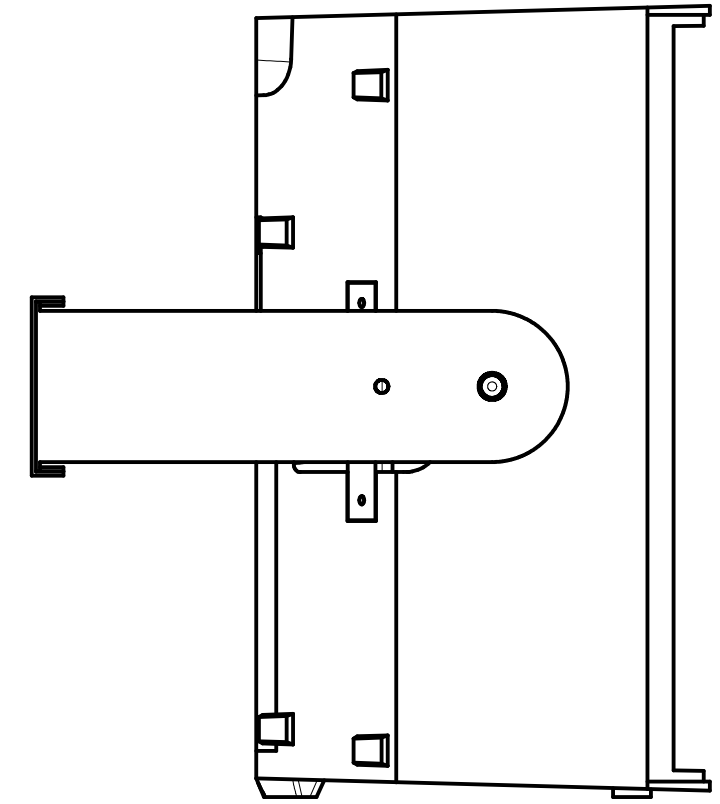
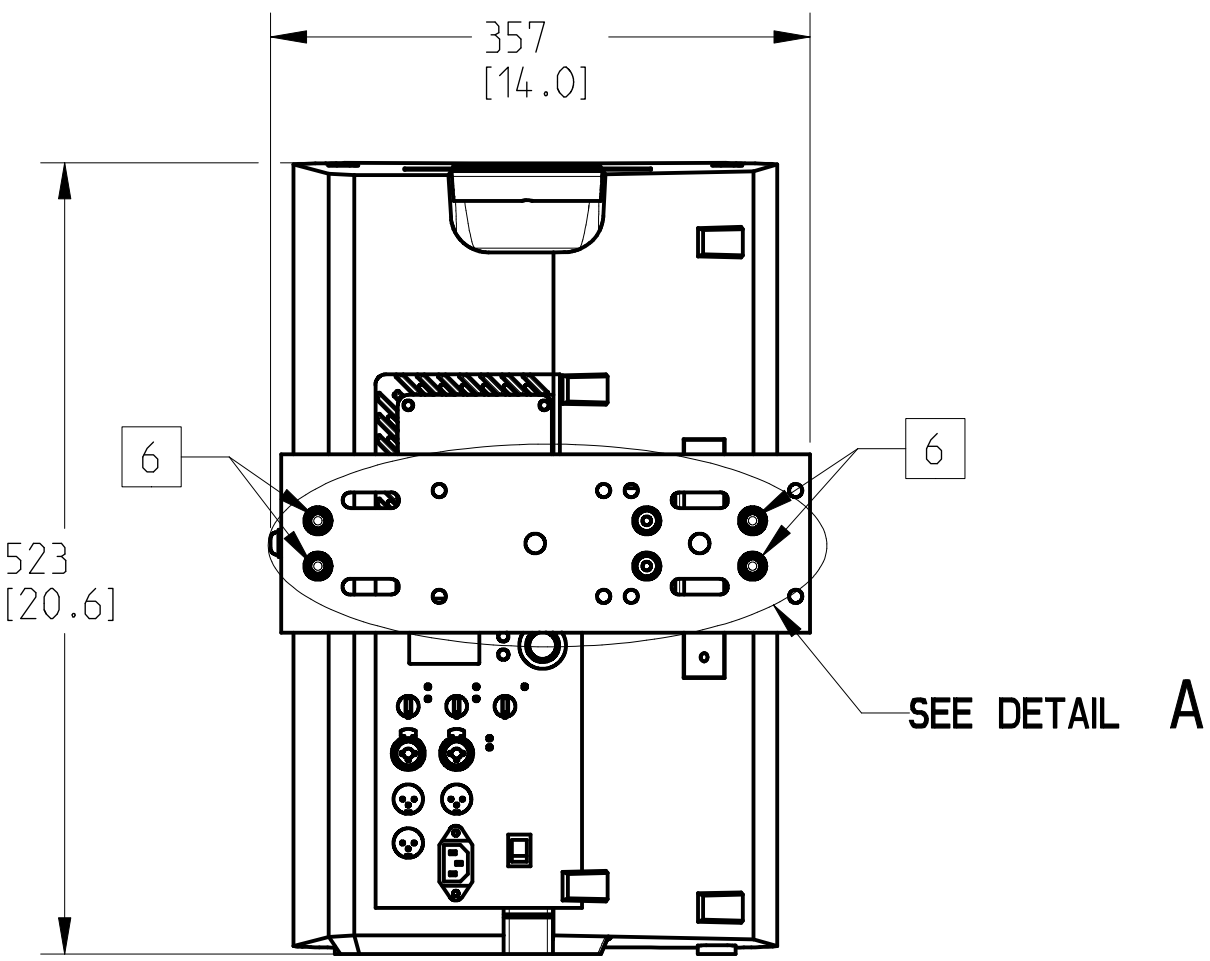
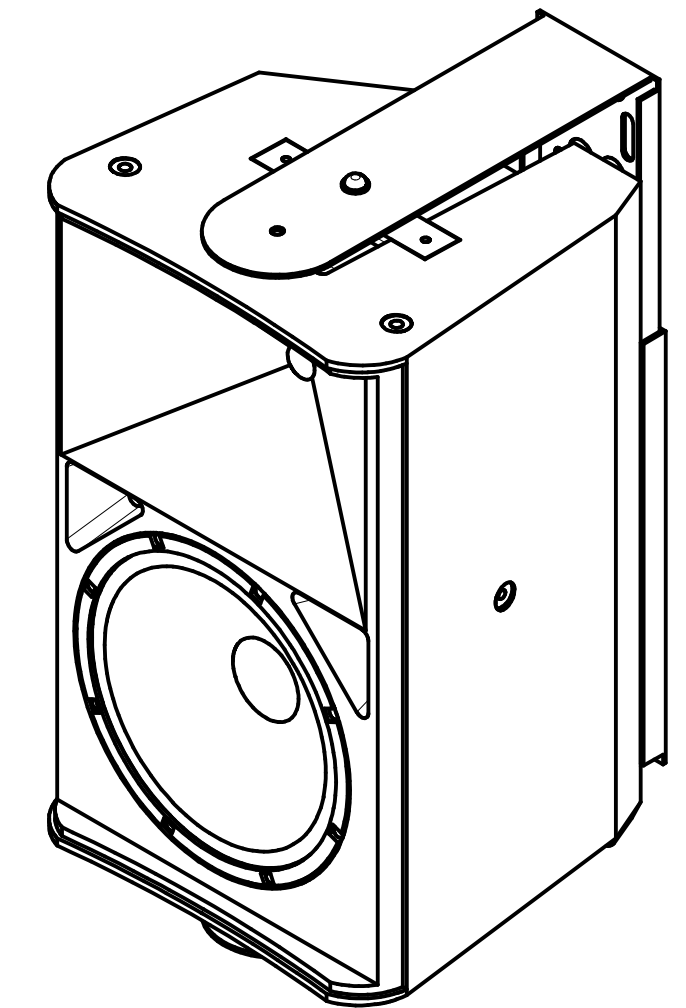
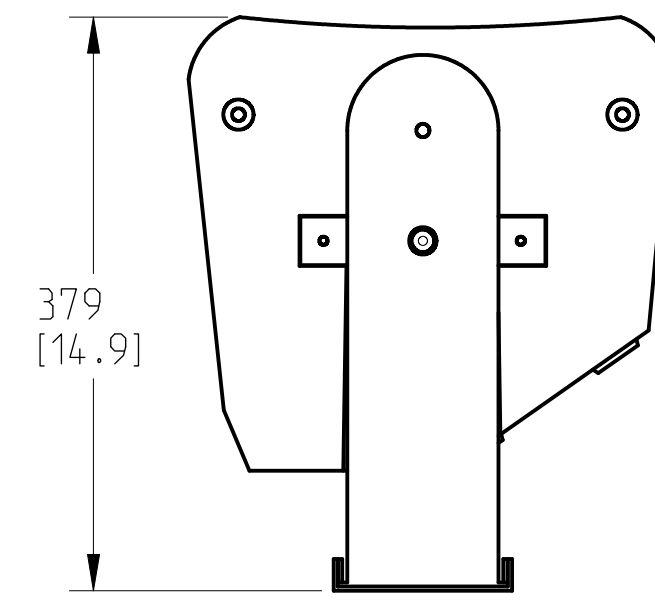
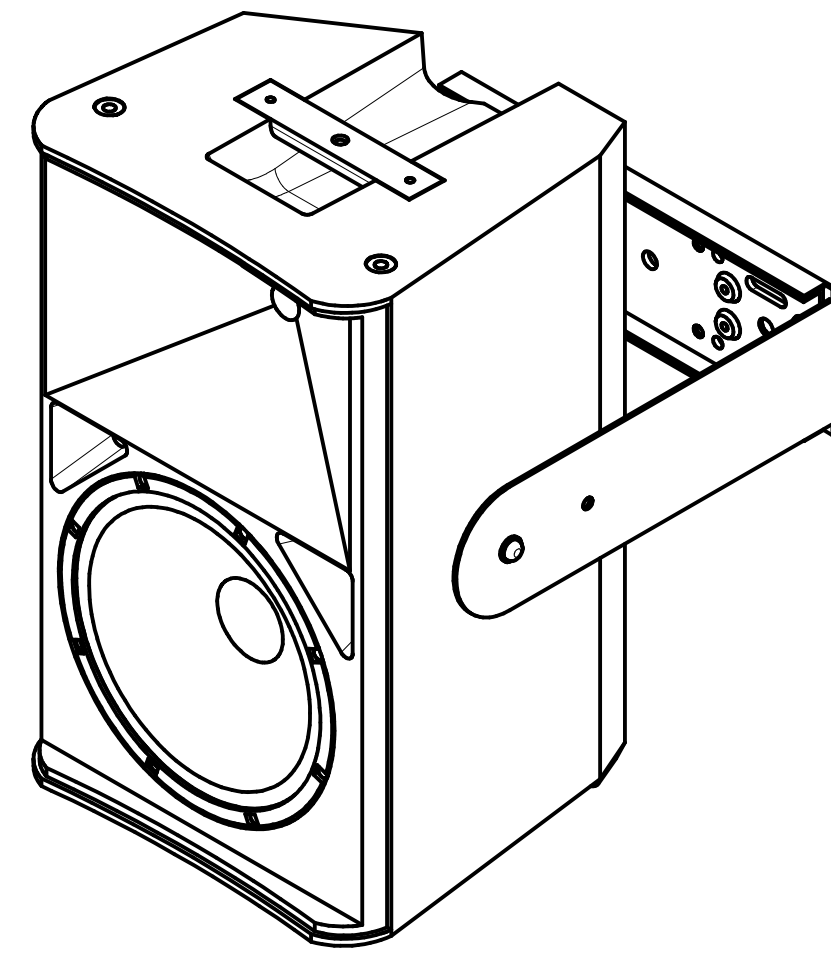
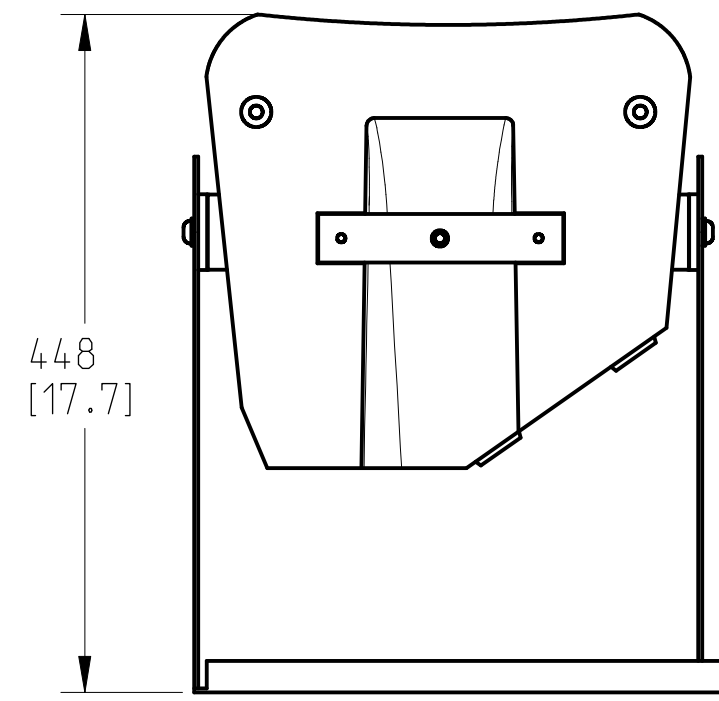


THIS DOCUMENT CONTAINS PROPRIETARY INFORMATION WHICH IS THE PROPERTY OF QSC, LLC. THAT MAY NOT BE DISCLOSED, REPRODUCED OR USED WITHOUT EXPRESS WRITTEN CONSENT FROM QSC, LLC.

REVISIONS			
REV	DESCRIPTION	BY	DATE
A	RELEASE FOR SALES AND MARKETING	ES	16-JUN-17



**FG-000987-3DH
HORIZONTAL PLACEMENT**

**FG-000987-3DV
VERTICAL PLACEMENT**

- 8. PARTS ARE SYMMETRICAL ABOUT CENTER LINES UNLESS OTHERWISE NOTED.
- 7. INSTALL POLE CUP ADAPTER USING 2 CENTER SCREWS FROM THE SPEAKER POLE CUP.
- 6. ASSEMBLE THE YOKE MOUNT COMPONENTS USING M5 SCREWS AND NUTS, 4 PLACES.
- 5. YOKE MOUNT ATTACHMENT POINT, M8 THREAD, 2 PLACES.
- 4. THE SPEAKER IS SHOWN FOR CLARITY, SPEAKER AND MOUNTING YOKE ARE SOLD SEPARATELY.
- 3. DIMENSIONS ARE IN MILLIMETERS [INCH].
- 2. TOLERANCES (MM): X ± 3, ANGLES: ± 1°.
- 1. NET WEIGHT APPROXIMATELY; 3.7 KG [8.1 LBS] (YOKE), 15.8 KG [34.8 LBS] (SPEAKER AND YOKE).

NOTES: UNLESS OTHERWISE SPECIFIED

UNLESS OTHERWISE SPECIFIED DIMENSIONS IN MILLIMETERS (IN) TOLERANCES ARE: DECIMALS .X±.5(0.2) ANGLES .XX±.25(0.01) ± 1/2 DECURR EDGES .25 (1.01) R MAX MATERIAL FINISH	DESIGNER ENG. SERVICES	QSC, LLC 1675 MACARTHUR BOULEVARD COSTA MESA, CA 92626 ACCESSORY, K10.2 YOKE MOUNT, FINISHED	SIZE	CAGE CODE	DRAWING NO.	REV	
	ENGINEER		D	00PW 4	FG-000987-2D	A	
	TECHNICAL DIRECTOR		SCALE	0.200	DO NOT SCALE DRAWING	SHEET	1 OF 1
	MANUFACTURING ENGINEER						
DRAWING INFO: FG-000987-2D.A.2							
MODEL INFO: FG-000987-3DV.A.2							