



## SC-423C-F Cinema Loudspeaker System

### Features

- Flyable 3-way bi- or tri-amplified screen channel speaker system
- Constructed of heavily braced, 15 mm tour-grade plywood
- Sixteen M10 attachment points per enclosure for safe and easy suspension with installer provided hardware
- Common dimensions of Mid/High and LF enclosures facilitate easy installation in vertical or horizontal arrays
- MH-1075C-F provides increased high-frequency output
- Low-distortion waveguides provide highly articulate dialogue



*The SC-423C-F (shown with installer provided mounting hardware) may be configured to fly in either a vertical or horizontal orientation.*

Developed specifically for the unique requirements of Large Format motion picture playback, the SC-423C-F extends QSC's commitment to the cinema market. As a member of the DCS Digital Cinema Speaker Series, the SC-423C-F is a 3-way bi- or tri-amplified screen channel loudspeaker system comprised of two main units – the MH-1075C-F mid/high frequency system and the LF-4215-F low-frequency system. The two sections can be joined together to create a single, flyable unit.

The MH-1075C-F features a high output, horn loaded 10" midrange cone driver and a 3" (75 mm) titanium diaphragm compression driver. The MH-1075C-F includes a driver protection network and a passive crossover for bi-amp operation. Power limiter circuitry protects the high-frequency driver from overpowering. The MH-1075C-F provides extended frequency coverage for the critical midrange band. A high power 10" cone driver allows operation as low as 250 Hz and the advanced phase plug coupling permits a crossover point of up to 1800 Hz to the high-frequency horn. This ensures that most of the dialog range is reproduced by a single element, for unmatched intelligibility.

The LF-4215-F dual 15" (381 mm) low-frequency enclosure is designed specifically to address the extended low-frequency response required for cinema applications. The LF-4215-F covers the frequency range from 35 Hz to 300 Hz.

The SC-423C-F system is designed for ease of installation. The MH-1075C-F and LF-4215-F components come pre-assembled to reduce field assembly time. Both enclosures have the same dimensions to allow stacked or side-by-side arrays. Each enclosure is fitted with sixteen M10 attachments points for safe and secure suspension. All mounting hardware must be provided by the installer.

# SC-423C-F Details

## Specifications

Nominal Coverage	90° horizontal x +20 to -30° vertical	
Frequency Range (-6 dB)	32 Hz – 16 kHz	
Active Crossover Frequencies	300 Hz and 1700 Hz, 24 dB per octave	
	<b>LF-4215-F</b>	<b>MH-1075C-F</b>
Impedance	4Ω	MF: 8ΩHF:8Ω
Sensitivity 1 watt /1 meter, half space	99.5 dB	Bi-amp:105 dB Tri-amp: MF 105 dB HF 107.5 dB
Maximum Input Power <sup>1</sup> 8 hours of 6 dB crest factor IEC 60268-5 noise spectrum	800 W RMS	Biamp: MF 250 W RMS <sup>2</sup> Triamp: MF 275 W RMS HF 80 W RMS
2 hours of 6 dB crest factor pink noise, 200 Hz – 2 kHz, AES method	1000 W RMS	350 W RMS
Recommended Amplifier Power	1600 W RMS maximum	800 W RMS maximum
Recommended Processing	Subsonic filter below 30 Hz, >18 dB per octave	4th order LR crossover at 200 Hz and 1700 Hz via QSC processor
Connectors	Neutrik Speakon™ NL4	Neutrik Speakon NL4
Pinouts	1+/1- LF; 2+/2- no connection	1+/1- MF; 2+/2- HF
Transducers	Two 15" (381mm) high efficiency, extended bass woofer featuring 4" copper voice coils	10" high efficiency mid range, 1.5" (38mm) exit, 3" titanium diaphragm compression driver
Enclosure	Heavily braced 15 mm tour-grade plywood with sixteen M10 load-rated attachments points	
Dimensions (HWD)	Each cabinet: 40" x 31.5" x 19" (1016 mm x 800.1 mm x 482.6 mm)	
Weight – Net/Shipping	134 lb (61 kg)/144 lb (65 kg)	121 lb (54.8 kg)/132 lb (59.7 kg)
System Weight – Net/Shipping	255 lb (116 kg)/276 lb (125 kg)	

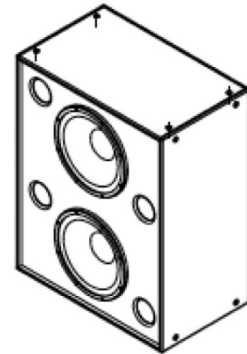
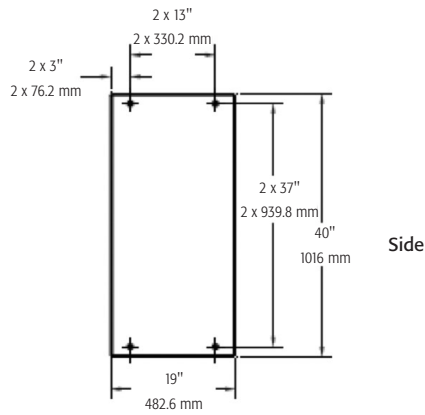
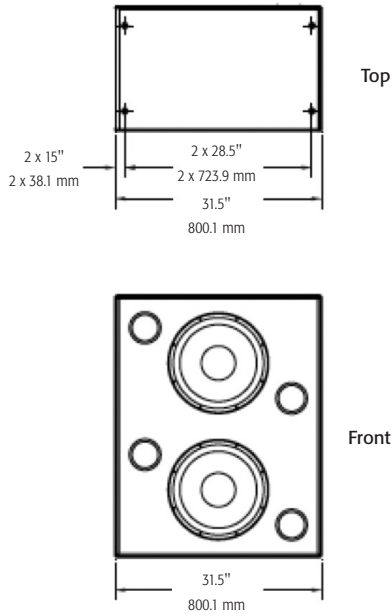
<sup>1</sup> Maximum input power tested in accordance with IEC 60268-5 recommendations, 50 Hz – 20 kHz band limiting, 6 dB signal crest factor.

<sup>2</sup> Maximum input power tested in accordance with IEC 60268-5 recommendations, 200 Hz – 2 kHz band limiting, 6 dB signal crest factor.

All proposed mounting systems should be reviewed by a qualified structural engineer.

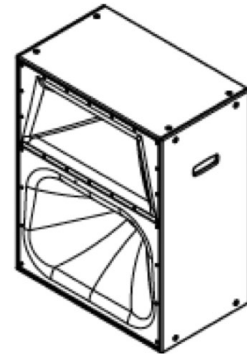
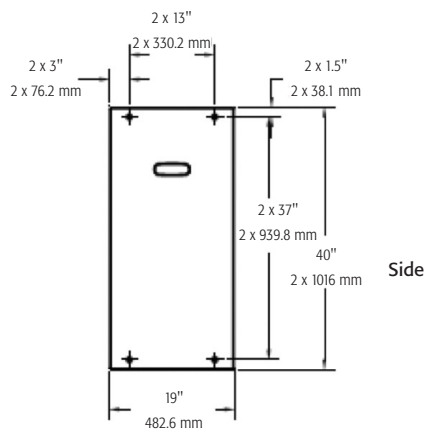
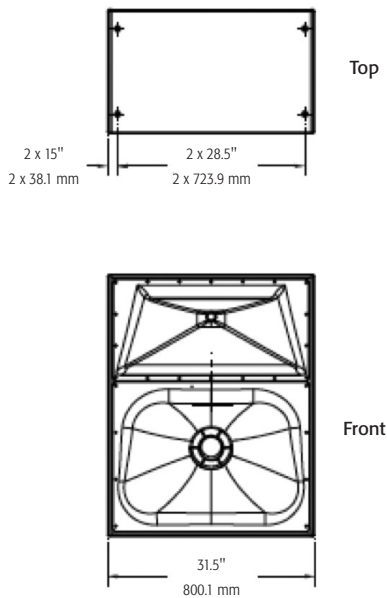
# SC-423C-F Technical Drawings

## LF-4215-F



	LF	No Connection		
INPUT	1+	1-	2+	2-
PINOUT	POS	NEG	N/A	N/A

## MH-1075C-F



	MF	HF		
INPUT	1+	1-	2+	2-
PINOUT	POS	NEG	POS	NEG

Specifications subject to change without notice.



1675 MacArthur Boulevard • Costa Mesa, CA 92626 • Ph: 800/854-4079 or 714/957-7100 • Fax: 714/754-6174



please recycle

© 2013 QSC Audio Products, LLC. All rights reserved. QSC and the QSC logo are registered trademarks of QSC Audio Products, LLC in the U.S. Patent and Trademark office and other countries. Speakon is a registered trademark of Neutrik.

SC-423C-F Spec Sheet 06/04/2013