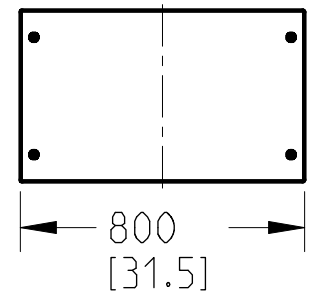


THIS DOCUMENT CONTAINS PROPRIETARY INFORMATION WHICH IS THE PROPERTY OF QSC AUDIO PRODUCTS, THAT MAY NOT BE DISCLOSED, REPRODUCED OR USED WITHOUT EXPRESS WRITTEN CONSENT FROM QSC AUDIO PRODUCTS.

REVISIONS					
REV	ECO	DESCRIPTION	BY	EFF DATE	ISSUED
A	-	RELEASE	JD	08-OCT-13	-

D

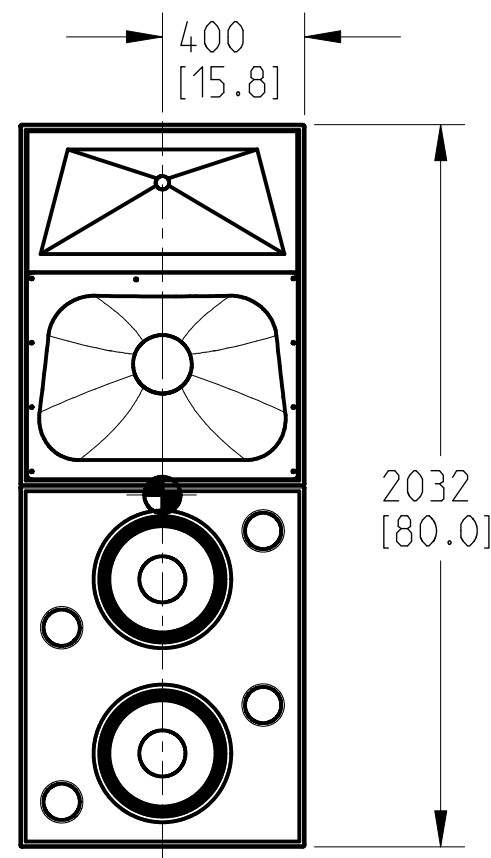
D



800
[31.5]

C

C

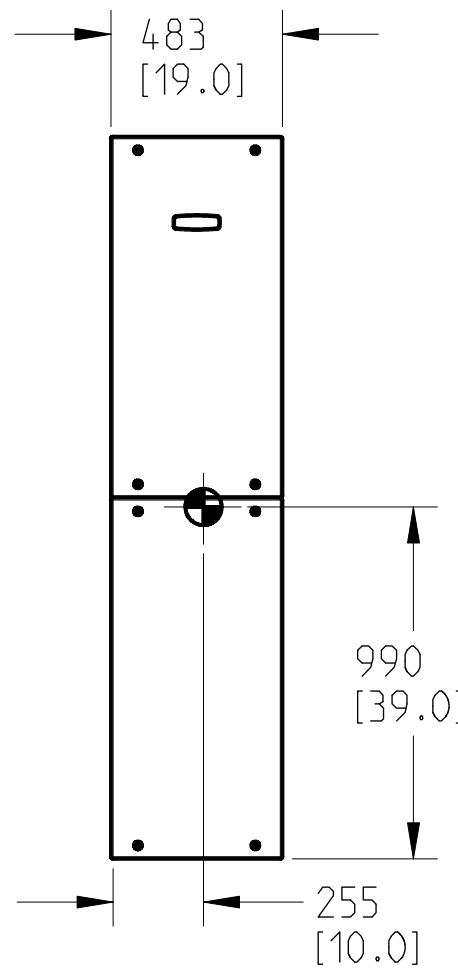


2032
[80.0]

B

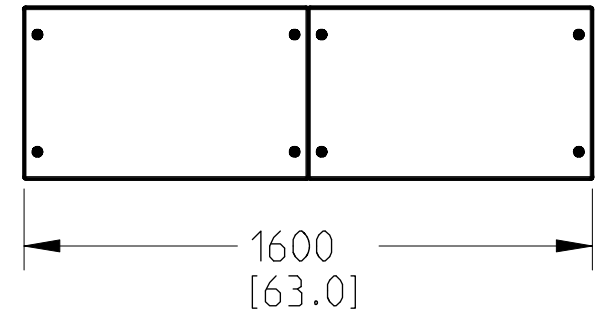
B

VERTICAL CONFIGURATION

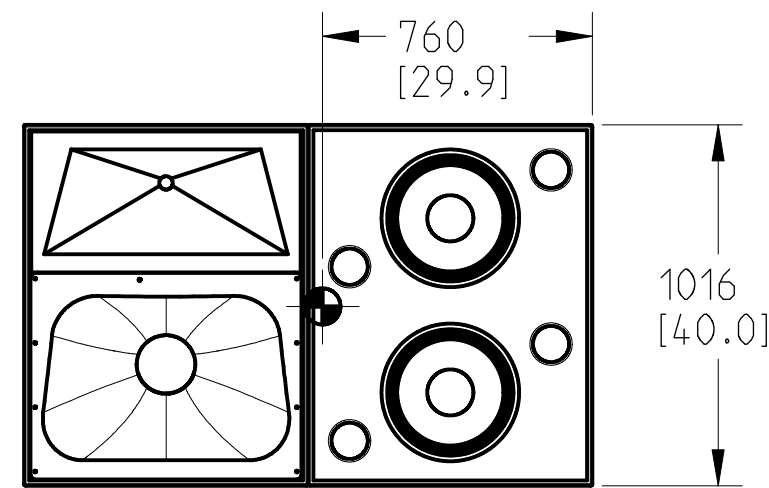


483
[19.0]

255
[10.0]



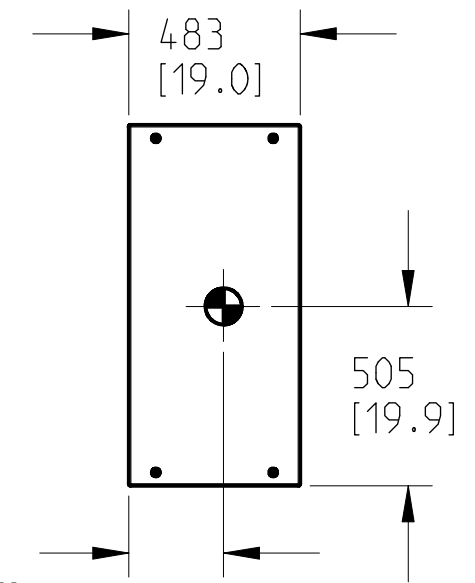
1600
[63.0]



760
[29.9]

1016
[40.0]



HORIZONTAL CONFIGURATION



483
[19.0]

505
[19.9]

267
[10.5]

5. PARTS ARE SYMMETRICAL ABOUT CENTER LINES UNLESS OTHERWISE NOTED.
 4. SYMBOL  INDICATES CENTER OF BALANCE.
 3. SYMBOL  INDICATES SUSPENSION POINT, 24 TOTAL: M10-1.5 THD.
 2. TOLERANCES (MM): X ± 5, ANGLES: ± 1°.
 1. NET WEIGHT APPROX. 115.9 KG (255 LBS)
- NOTE: UNLESS OTHERWISE SPECIFIED

A

A

UNLESS OTHERWISE SPECIFIED DIMENSIONS IN MILLIMETERS (IN)		
TOLERANCES ARE:		
DECIMALS	DECIMALS	ANGLES
.X±.5[.02]	.XX±.25[.010]	± 1/2
DEBURR EDGES .25 [.010] R MAX		
MATERIAL		
FINISH		

APPROVALS	DATE (DD-MMM-YY)
DRAWN J. DELARM	05-NOV-12
CHECKED B. FERREL	08-NOV-12
MFG ENG	-
QA CHECK	-
DRAWING INFO@CS-SC-423C-F-2D.A.0	
MODEL INFO@CS-SC-423C-F-2D.1.2	

QSC QSC AUDIO PRODUCTS, LLC
1675 MACARTHUR BOULEVARD
COSTA MESA, CA 92626

SPEAKER, FINISHED,
SC-423C-F

SIZE	CAGE CODE	DRAWING NO.	REV
B	00PW 4	DCS-SC-423C-F-2D	A
SCALE: 0.047		DO NOT SCALE DRAWING	SHEET 1 OF 1