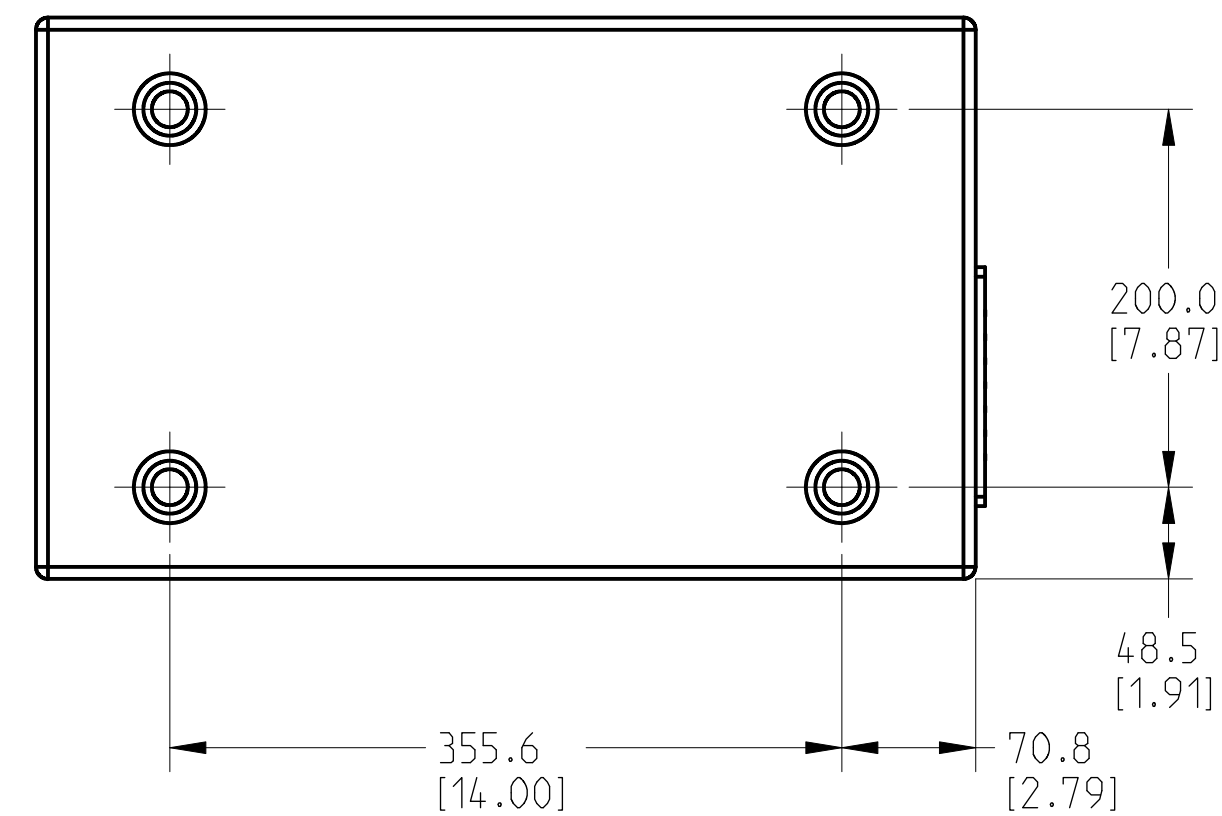
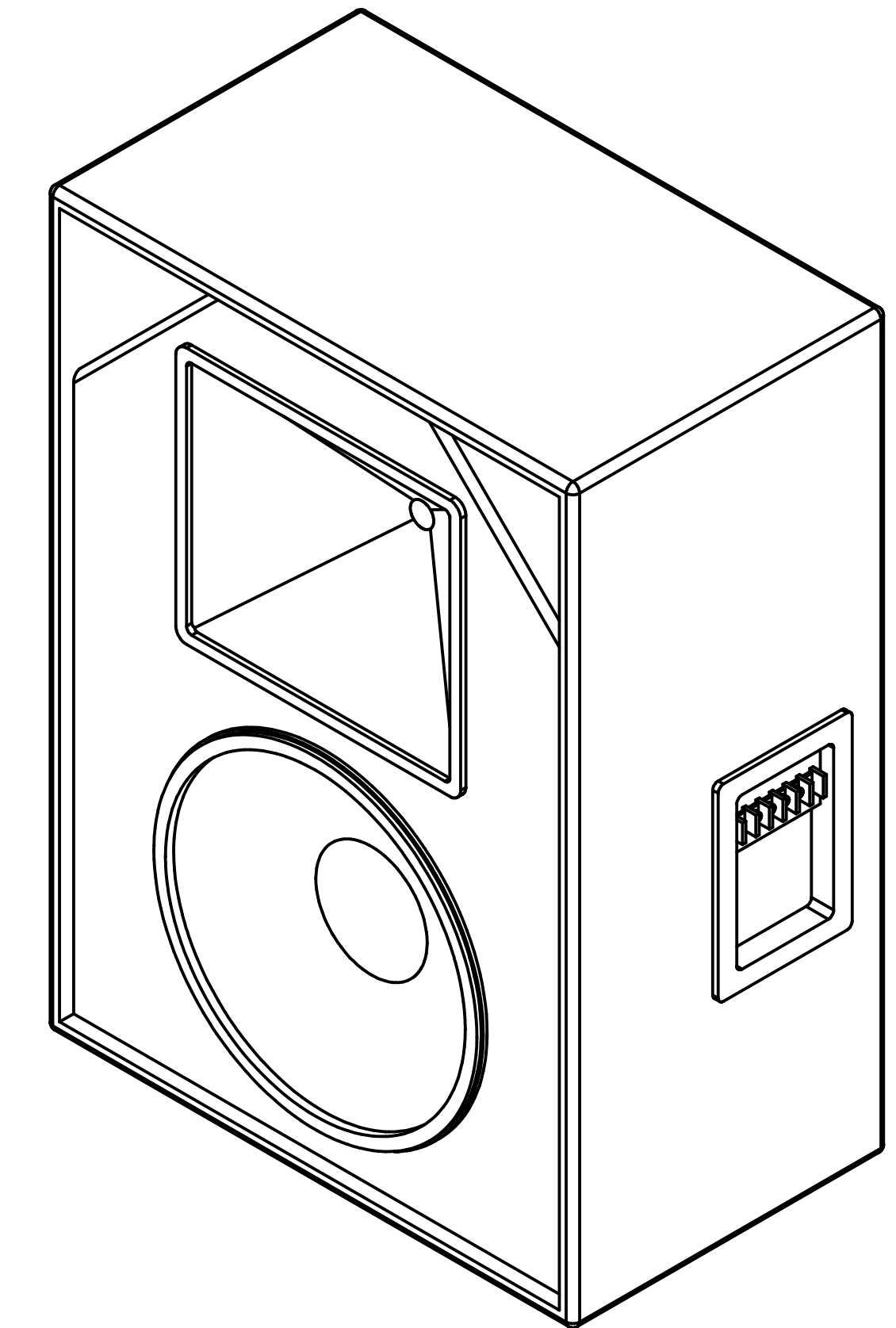
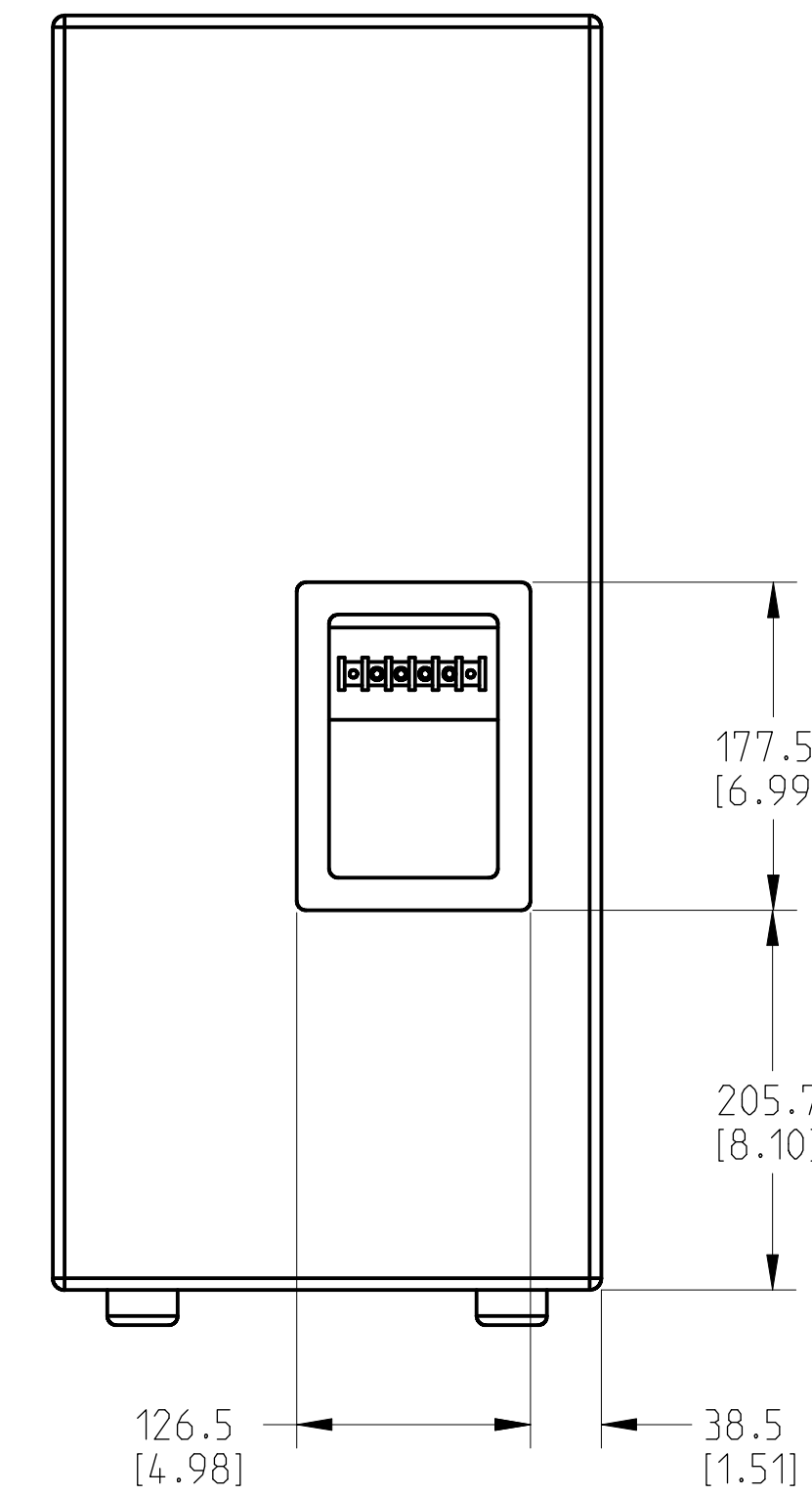
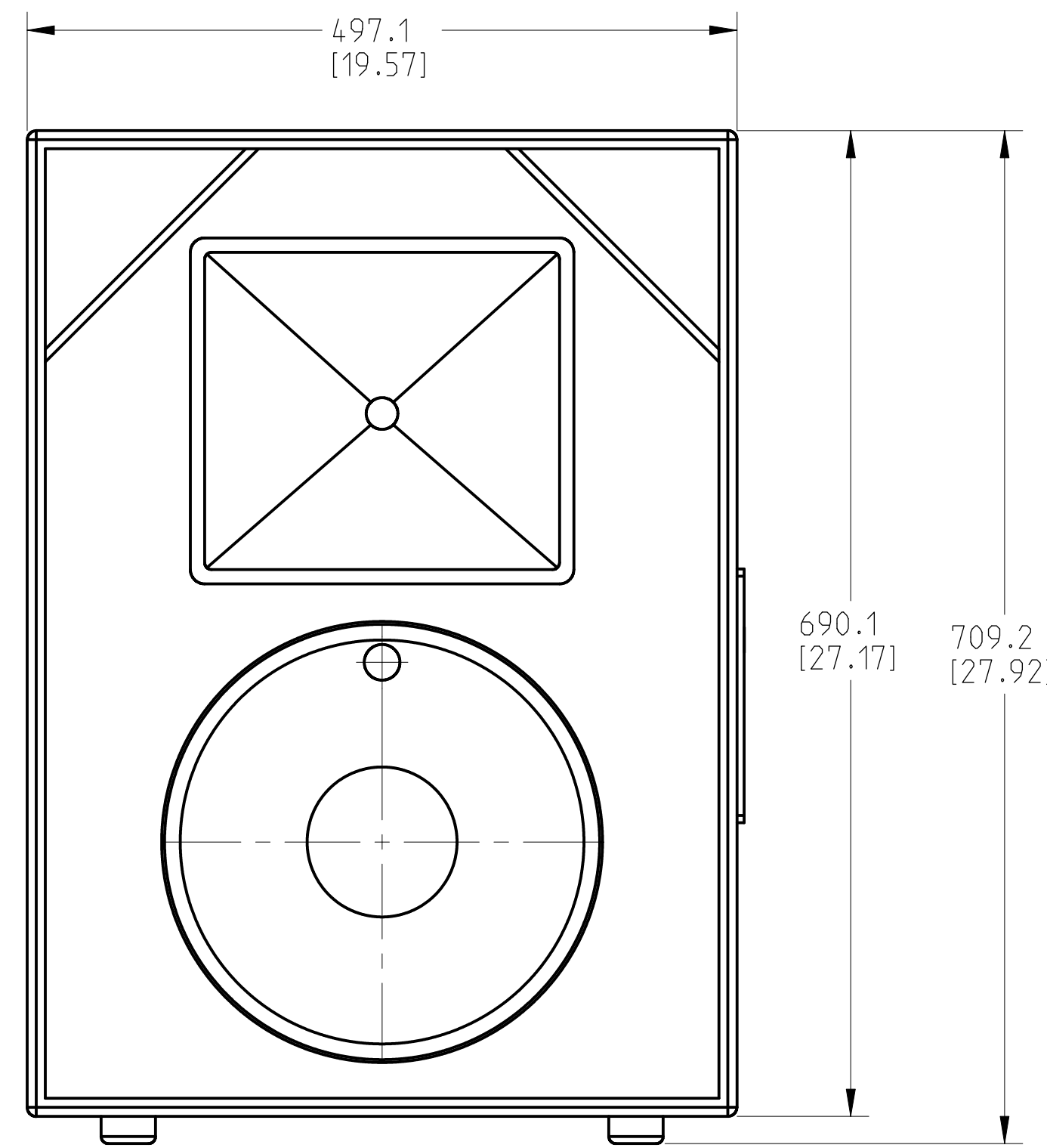
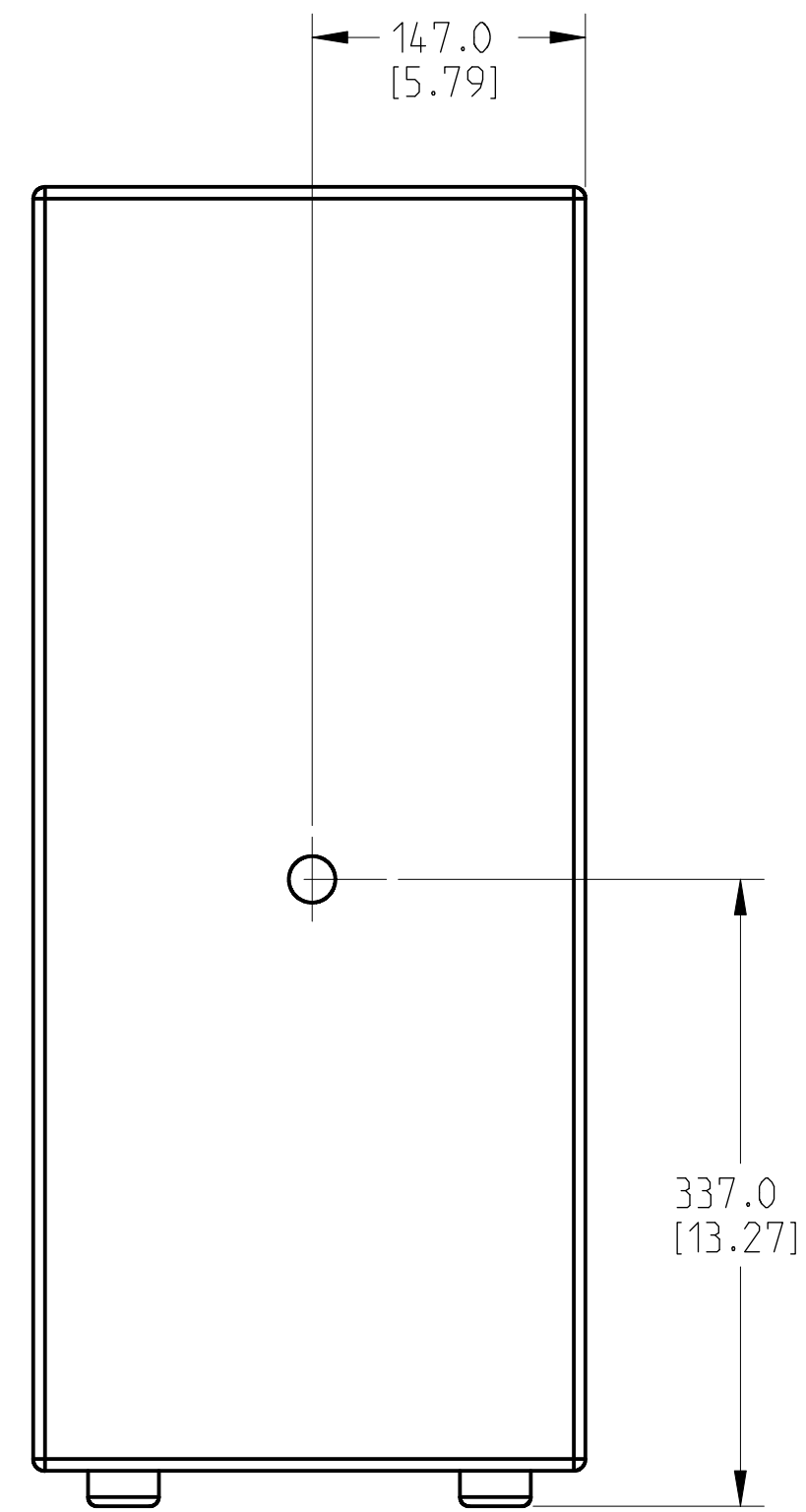
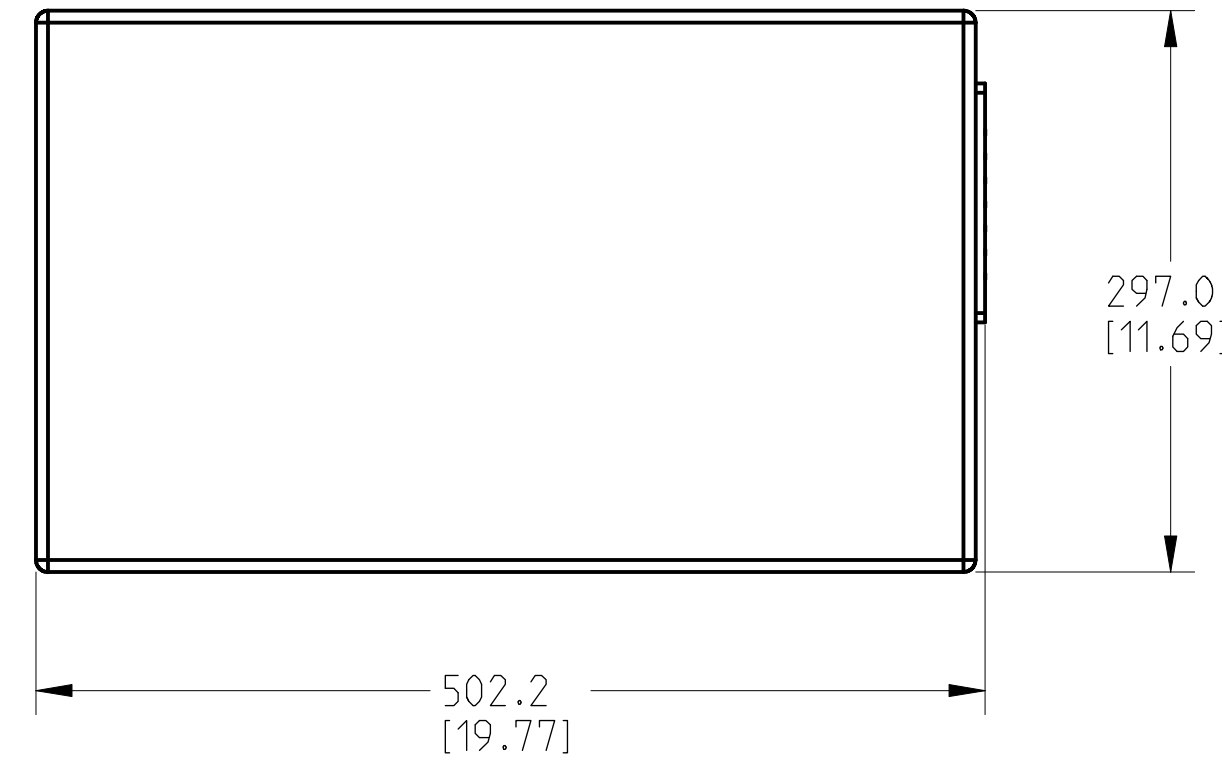


THIS DOCUMENT CONTAINS PROPRIETARY INFORMATION WHICH IS THE PROPERTY OF QSC, LLC. THAT MAY NOT BE DISCLOSED, REPRODUCED OR USED WITHOUT EXPRESS WRITTEN CONSENT FROM QSC, LLC.

| REVISIONS | | | | | |
|-----------|-----|---|----|-----------|--------|
| REV | ECO | DESCRIPTION | BY | EFF DATE | ISSUED |
| A | - | RELEASE | | - | - |
| A1 | - | TITLE BLOCK DESCRIPTION CHANGED, WAS SB-1120, NOW SC-1120 | SS | 30-SEP-16 | |



- 4. PARTS ARE SYMMETRICAL ABOUT CENTER LINES UNLESS OTHERWISE NOTED.
 - 3. SYMBOL ⊕ INDICATES CENTER OF BALANCE.
 - 2. TOLERANCES (MM): X ± 5, ANGLES: ± 1°.
 - 1. NET WEIGHT APPROX. 23.1 / 51.0 (KG/LBS).
- NOTE: UNLESS OTHERWISE SPECIFIED

| | | | |
|---|------------------------|----------------------|---|
| UNLESS OTHERWISE SPECIFIED DIMENSIONS IN MILLIMETERS (IN) TOLERANCES ARE: DECIMALS .X±.5(0.02) DECIMALS .XX±.25(0.01) ANGLES ± 1/2 DECORR EDGES .25 (1.01) R MAX | DESIGNER | ENGINEERING SERVICES | QSC, LLC 1675 MACARTHUR BOULEVARD COSTA MESA, CA 92626 |
| | ENGINEER | N/A | |
| | TECHNICAL DIRECTOR | N/A | |
| | MANUFACTURING ENGINEER | N/A | |
| MATERIAL | FINISH | | SPEAKER, FINISHED, 12" TOP BOX, SC-1120 |
| DRAWING INFO: WP-001125-2D.A1.1 | SCALE: 0.250 | DO NOT SCALE DRAWING | SIZE D CAGE CODE 00PW4 DRAWING NO. WP-001125-2D REV A1 SHEET 1 OF 1 |