

EXPLANATION OF SYMBOLS


The term **"WARNING!"** indicates instructions regarding personal safety. If the instructions are not followed the result may be bodily injury or death.

The term **"CAUTION!"** indicates instructions regarding possible damage to physical equipment. If these instructions are not followed, it may result in damage to the equipment that may not be covered under the warranty.

The term **"IMPORTANT!"** indicates instructions or information that are vital to the successful completion of the procedure.

The term **"NOTE"** is used to indicate additional useful information.

 The intent of the lightning flash with arrowhead symbol in a triangle is to alert the user to the presence of un-insulated "dangerous" voltage within the product's enclosure that may be of sufficient magnitude to constitute a risk of electric shock to humans.

 The intent of the exclamation point within a triangle is to alert the user to the presence of important safety, and operating and maintenance instructions in this manual.



IMPORTANT SAFETY INSTRUCTIONS



- Keep these instructions.
- Heed all warnings.
- Follow all instructions.
- Do not use this apparatus near water.
- Clean only with a dry cloth.
- Do not install near any heat sources such as radiators, heat registers, stoves, or other apparatus (including amplifiers) that produce heat.
- Only use attachments/accessories specified by the manufacturer.
- Refer all servicing to qualified service personnel.
- Adhere to all applicable, local codes.
- Consult a licensed, professional engineer when any doubt or questions arise regarding a physical equipment installation.

Warranty

For a copy of the QSC Limited Warranty, visit the QSC Audio Products website at www.qsc.com

Para una copia de la Garantía Limitada de QSC, visite el sitio web de QSC Audio Products, en www.qsc.com

Pour obtenir une copie de la garantie limitée de QSC, visitez le site de QSC Audio Products à www.qsc.com

Besuchen Sie die Webseite von QSC Audio Products (www.qsc.com) um eine Kopie der beschränkten Garantie von QSC zu erhalten.

如果您想要QSC有限保修的複印本，請造訪QSC音頻產品的網站www.qsc.com

Для получения копии ограниченной гарантии QSC посетите веб-сайт QSC Audio Products, расположенный по адресу www.qsc.com.

للحصول على نسخة من الضمان المحدود الخاص بـQSC، قم بزيارة الموقع الإلكتروني لشركة QSC للمنتجات الصوتية على www.qsc.com

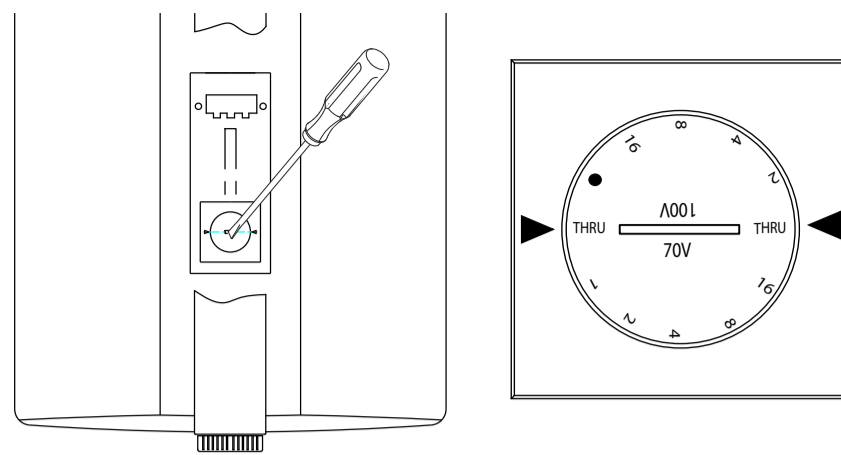
Set the Transformer Tap Switch

Refer to Figure 1.

1. Use a flat-tip screwdriver to set the transformer tap based on the requirements of the installation. To bypass the transformer for direct low impedance applications, set the tap selector to THRU.

100 Volt	70 Volt
8 Ω	8 Ω
N/A	16W
16W	8W
8W	4W
4W	2W
2W	1W

– Table 1 –



– Figure 1 –

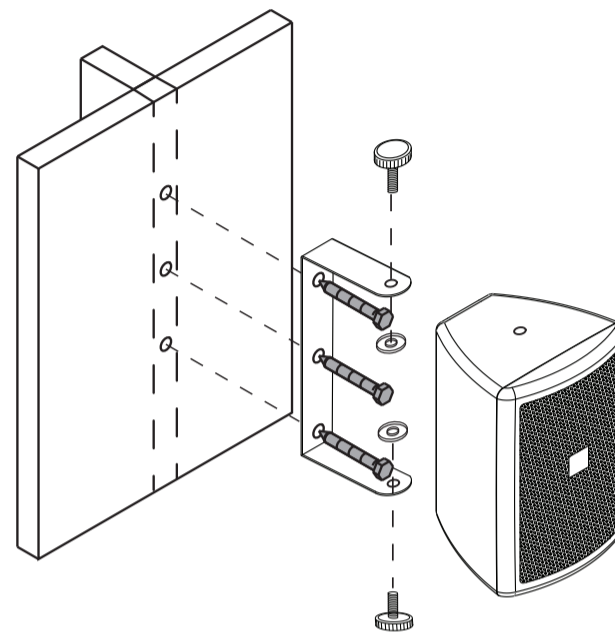
Install the Yoke Bracket and Mount the Loudspeaker

Refer to Figure 2.

1. Secure the yoke bracket to structure capable of supporting the weight of the loudspeaker.
2. Align the rubber washer between the loudspeaker and yoke mounting holes and join using the thumb screw.



WARNING! Install the system in accordance with local building codes and regulations. Use a licensed contractor or professional engineer. QSC Audio Products is not responsible for damages resulting from the negligent installation of any bracket or loudspeaker.

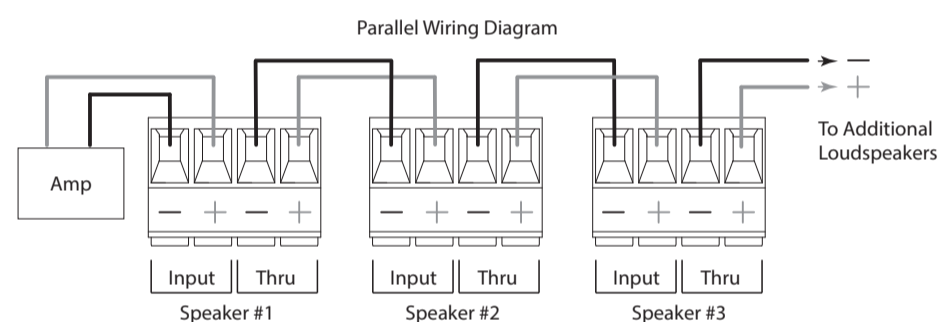


– Figure 2 –

Wire the Loudspeaker

Refer to Figure 3.

1. Land the speaker supply wire to the Euroblock connector as indicated.
2. For additional loudspeakers, use the thru output from the previous loudspeaker as the supply.
3. Install the Euroblock connector to the loudspeaker.



– Figure 3 –

Specifications:

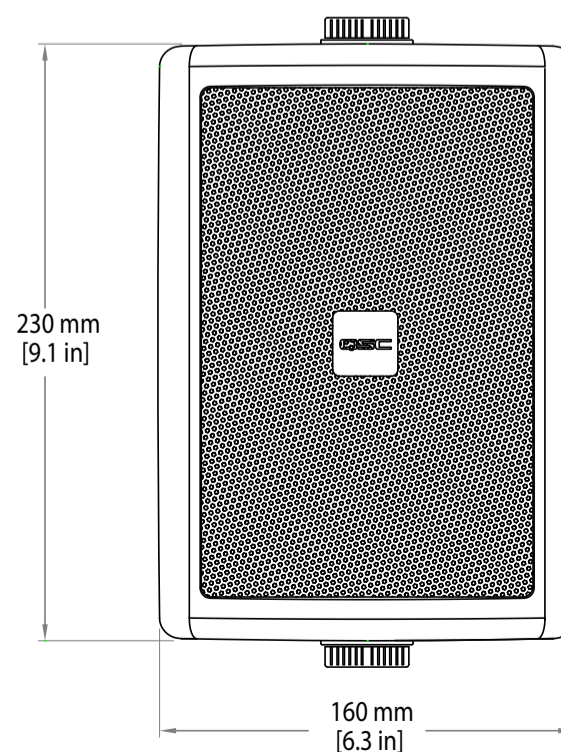
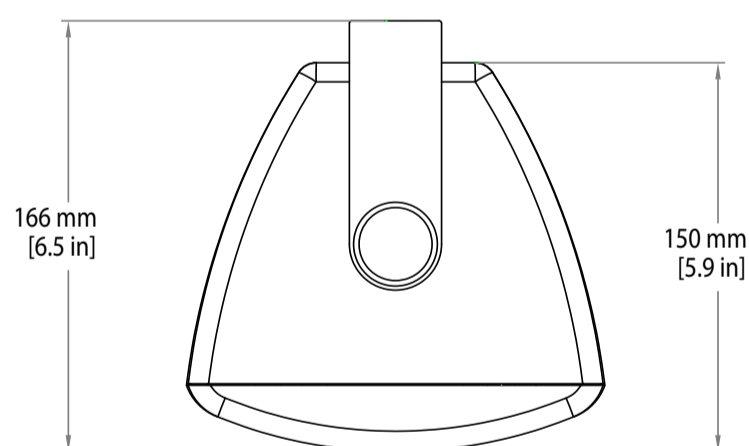
System Details	AC-S4T
Effective frequency range ¹	70 Hz – 20 kHz
Rated noise power / voltage ²	16 watts / 11.3 volts (rms)
Broad-band sensitivity ³	85 dB SPL
Coverage angle (-6 dB)	130° conical (500 Hz - 5 kHz)
Directivity factor (Q)	6
Directivity Index	8 dB
Maximum continuous SPL ⁴	97 dB
Maximum peak SPL ⁴	103 dB
Rated impedance	8 ohms
Recommended amplifier	32 watts
Transformer taps	70 V: 16, 8, 4, 2, 1 watts 100V: 16, 8, 4, 2 watts 8 ohm bypass
LF transducer	100 mm [4 in] Polypropylene woofer 25 mm [1 in] voice-coil
HF transducer	25 mm [1 in] Aluminium dome tweeter 25 mm [1 in] voice-coil
Input connector type	Euroblock connector with parallel output
Enclosure material	UV treated, high impact ABS polymer
Grille material	Powder coated steel
Yoke material	Powder coated steel, brass inserts
Enclosure Details	
Ingress protection	IP-44
Operating environment	Designed for indoor use
Operating Temperature Range	-20 to 50° C [-4 to 122° F]
Net weight	2.4 kg [5.3 lb]
Product dimensions	230 x 160 x 150 mm [9.1 x 6.3 x 5.9 in]
Shipping weight	5.3 kg [11.8 lb] (pair packed)
Shipping dimensions	292 x 206 x 368 mm [11.5 x 8.1 x 14.5 in] (pair packed)
Included accessories	Yoke mount system, euroblock connector

¹ Free-field, -10 dB from on-axis sensitivity

² IEC60268-1 noise signal for 2 hours

³ On-Axis, free-field sensitivity, 2.83V, 1 m

⁴ Calculated from rated noise voltage and sensitivity





Mailing Address:

QSC Audio Products, LLC
1675 MacArthur Boulevard
Costa Mesa, CA 92626-1468 USA

Telephone Numbers:

Main Number: (714) 754-6175
Sales & Marketing: (714) 957-7100 or toll free (USA only) (800) 854-4079
Customer Service: (714) 957-7150 or toll free (USA only) (800) 772-2834

Facsimile Numbers:

Sales & Marketing FAX: (714) 754-6174
Customer Service FAX: (714) 754-6173

World Wide Web:

www.qsc.com

E-mail:

info@qsc.com
service@qsc.com
tech_support@qsc.com