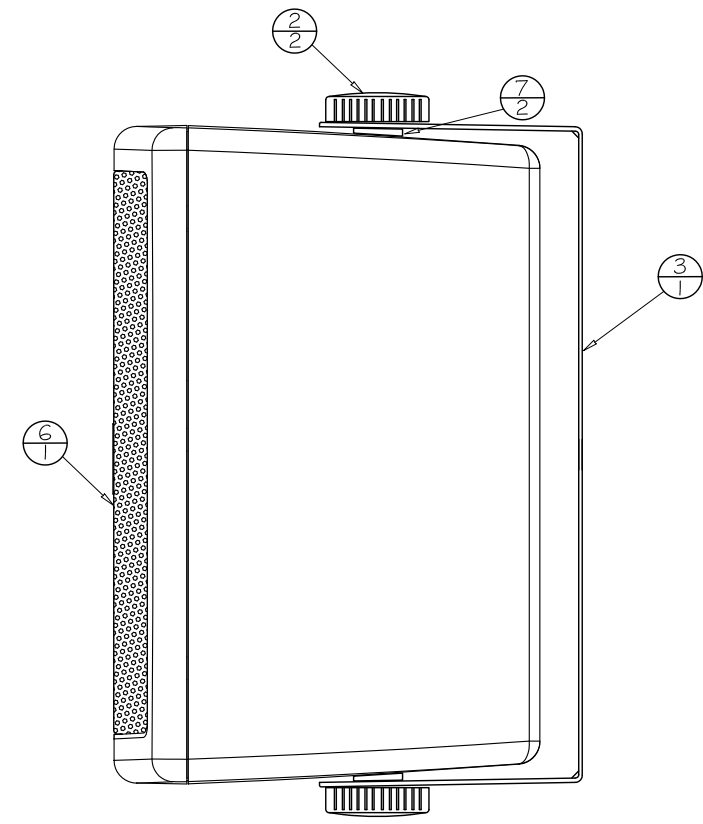
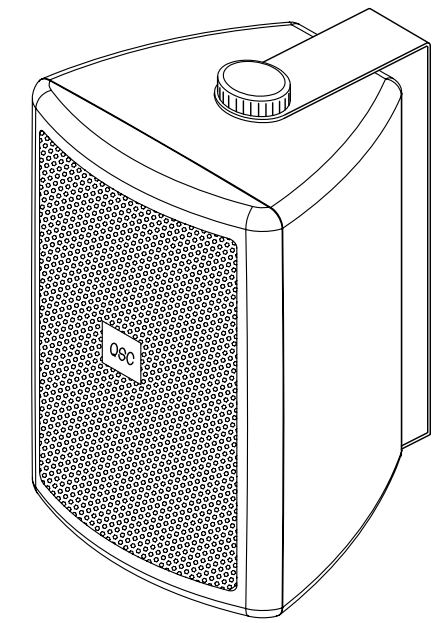
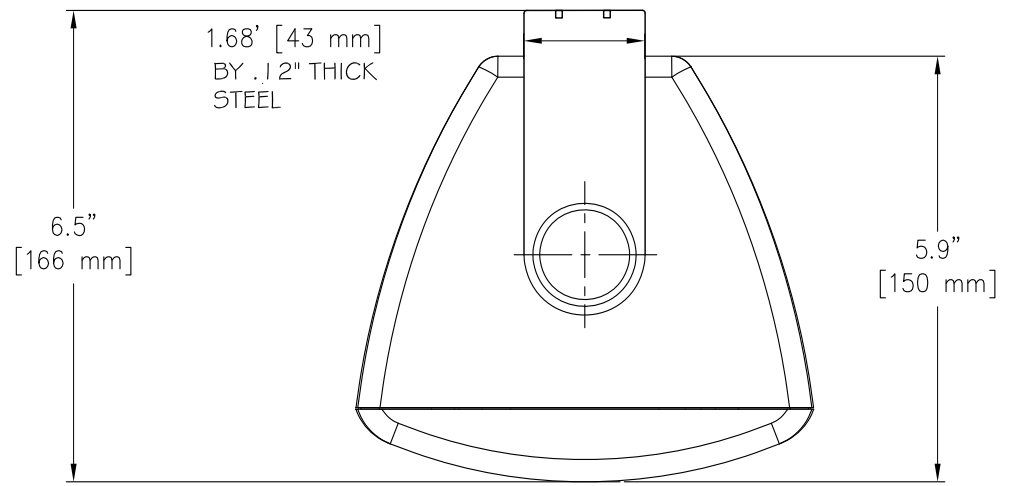
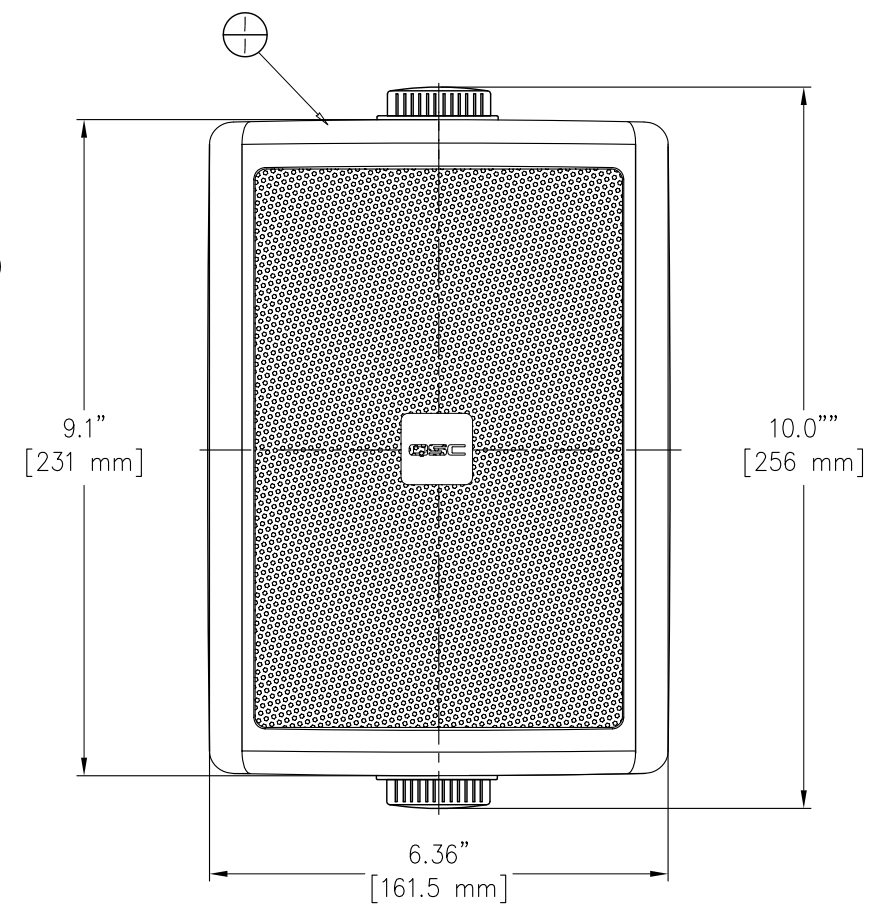


THIS DOCUMENT CONTAINS PROPRIETARY INFORMATION WHICH IS THE PROPERTY OF QSC AUDIO PRODUCTS. THAT MAY NOT BE DISCLOSED, REPRODUCED OR USED WITHOUT EXPRESS WRITTEN CONSENT FROM QSC AUDIO PRODUCTS.

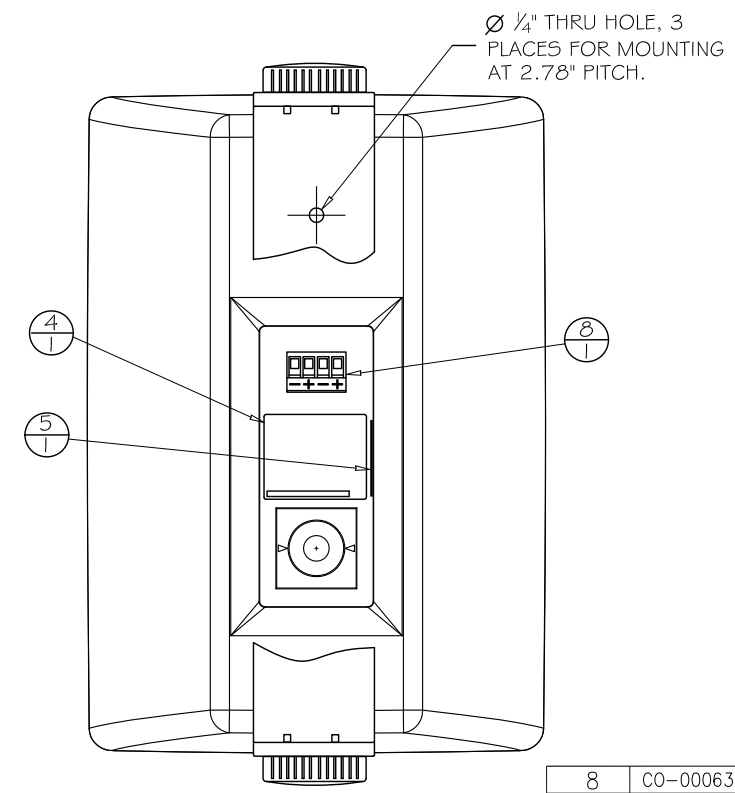
REVISIONS					
REV	ECO	DESCRIPTION	BY	EFF DATE	ISSUED
A		PRODUCTION RELEASE	MJ	04-01-15	



SIDE VIEW



FRONT VIEW



REAR VIEW (YOKE MOUNT PARTIAL CUT)

ITEM	PART NUMBER	DESCRIPTION	QTY
8	CO-000633-00	EDRU CONNECTOR, 4-POSITION, FEMALE, AC-S4T & AC-S6T	1
7	MS-000733-01	SPACER, YOKE, BLACK, AC-S4T & AC-S6T	2
6	CH-001362-XX	GRILL ASS'Y, AC-S4T	1
5	LB-001118-00	LABEL, DATE CODE, ODM	1
4	LB-001063-00	LABEL, PRODUCT, AC-S4T	1
3	CH-001364-XX	YOKE MOUNT, AC-S4T	1
2	PL-000798-XX	YOKE KNOB, AC-S4T & AC-S6T	2
1	WP-040044-XX	SPEAKER ASS'Y, AC-S4T, SURFACE W/FMR YOKE MOUNT	1

BILL OF MATERIALS

TOLERANCES ARE:	APPROVALS	DATE (DD-MMM-YY)	QSC AUDIO PRODUCTS, LLC 1675 MACARTHUR BOULEVARD COSTA MESA, CA 92626
	DRAWN M. JEN	04/01/15	
	CHECKED M. JEN	04/01/15	
	MFG ENG M. JEN	04/01/15	
MATERIAL	QA CHECK M. JEN	04/01/15	SPEAKER, AC-S4T, SURFACE W/FMR YOKE MOUNT
FINISH	DRAWING INFO: FG-040044-00	SIZE: D CAGE CODE: 00PW4 DRAWING NO: FG-040044-XX	
	MODEL INFO: FG-040044-00	SCALE: 1.5 DO NOT SCALE DRAWING SHEET 1 OF 1	

3. SUPPLIER SHALL PROVIDE FIRST ARTICLE INSPECTION REPORT PER QAP-043.  
 2. FINISH COLOR: -01 BLACK VERSION; -02 WHITE VERSION.  
 1. ALL PARTS MUST BE ROHS COMPLIANT PER QSC RD-000160-00. SUPPLIER MUST PROVIDE A CERTIFICATE OF RHOS COMPLIANCE.  
 NOTE: UNLESS OTHERWISE SPECIFIED