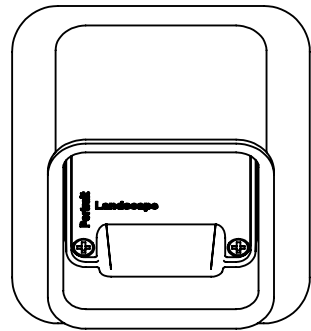


THIS DOCUMENT CONTAINS CONFIDENTIAL OR PROPRIETARY INFORMATION WHICH IS THE PROPERTY OF QSC, LLC THAT MAY NOT BE DISCLOSED, REPRODUCED OR USED WITHOUT EXPRESS WRITTEN CONSENT FROM QSC, LLC. NO PORTION OF THIS DOCUMENT MAY BE REPRODUCED, REDISTRIBUTED, OR OTHERWISE DISCLOSED TO ANY THIRD PARTY WITHOUT QSC'S WRITTEN PERMISSION.

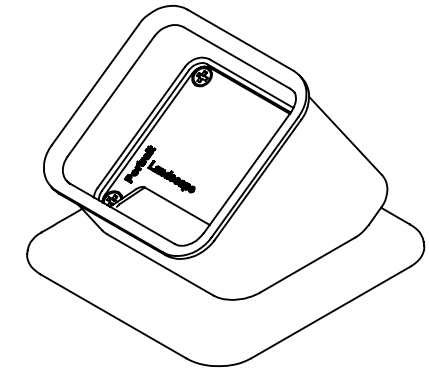
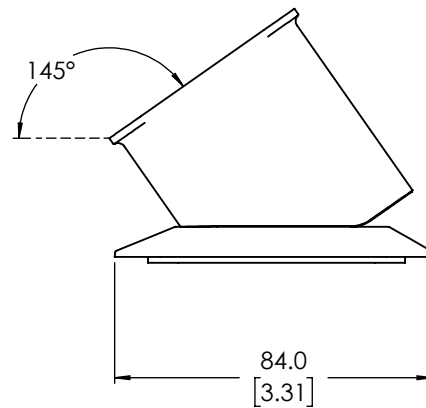
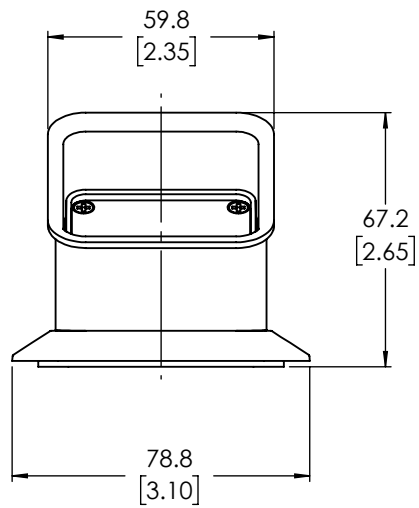
REVISIONS			
REV	DESCRIPTION	BY	DATE
A	INITIAL RELEASE	SS	15-DEC-2021

NOTES: UNLESS OTHERWISE SPECIFIED

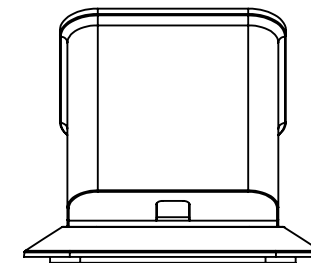
- NET WEIGHT APPROXIMATELY 0.19 KG [0.4 LBS] (0.42 KG [0.9 LBS] WITH TOUCHSCREEN CONTROLLER).
- PARTS ARE SYMMETRICAL ABOUT CENTER LINES UNLESS OTHERWISE NOTED.




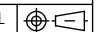
TOP VIEW



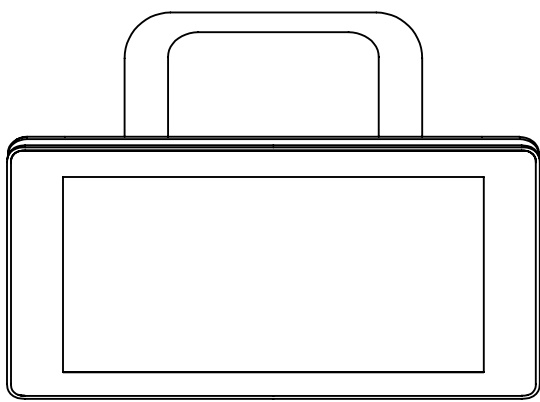
ISOMETRIC VIEW



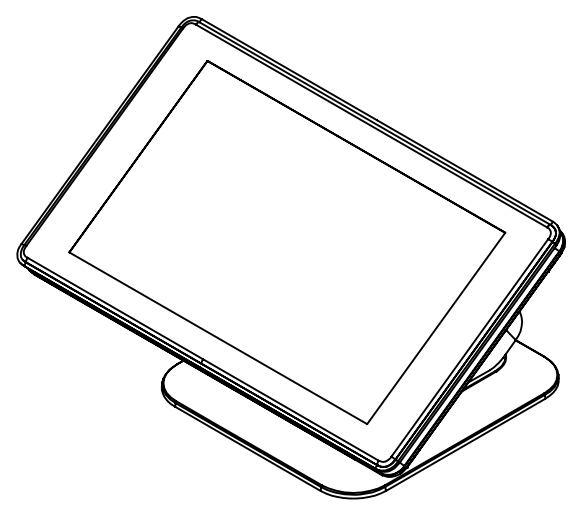
# STAND FOR 5" TOUCHSCREEN CONTROLLER

UNLESS OTHERWISE SPECIFIED DIMENSIONS ARE IN MM [IN] TOLERANCES ARE:		CAD GENERATED DRAWING DO NOT MANUALLY UPDATE		 <b>QSC, LLC</b> 1675 MACARTHUR BOULEVARD COSTA MESA, CA 92626 USA	
DECIMALS	ANGLES	APPROVALS			
.X ± 3.0 (.12)	± 1°	DRAWN BY S. STASIAK		<b>ACCESSORY, TSC-50T-G3, TSC-G3 5IN TABLETOP STAND</b>	
.XX ±		MECH ENGINEER T.GOSSARD			
MATERIAL SEE NOTES		TECH DIRECTOR D.HOCH			
FINISH SEE NOTES		MFG ENGINEER T.MORGAN		SIZE B	CAGE CODE 00PW4
DO NOT SCALE DRAWING		PROJECTION SYMBOL 		DWG. NO. FG-901459-2D	REV A
				SCALE: 1:2	CAD FILE: FG-901459-2D
				SHEET: 1 OF 2	

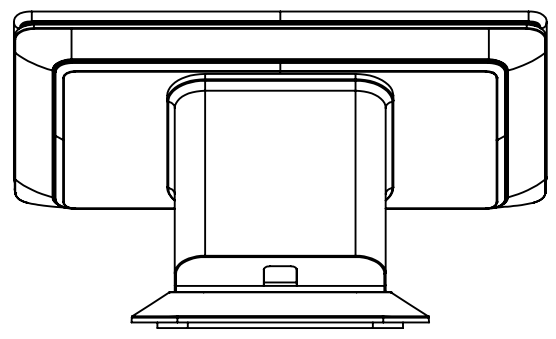
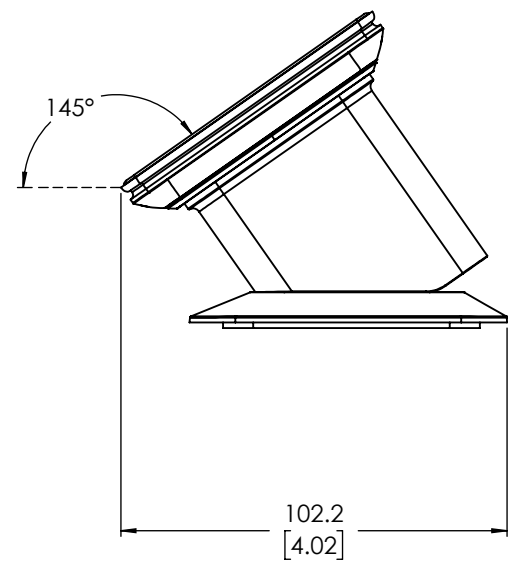
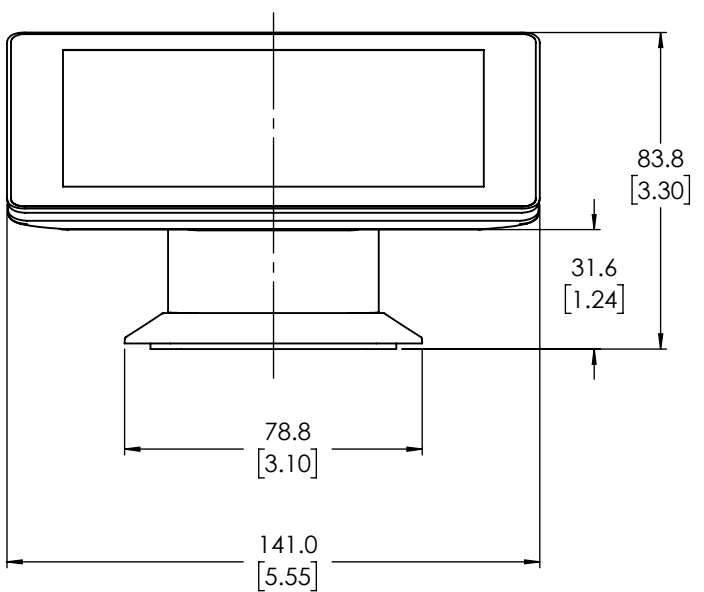
THIS DOCUMENT CONTAINS CONFIDENTIAL OR PROPRIETARY INFORMATION WHICH IS THE PROPERTY OF QSC, LLC THAT MAY NOT BE DISCLOSED, REPRODUCED OR USED WITHOUT EXPRESS WRITTEN CONSENT FROM QSC, LLC. NO PORTION OF THIS DOCUMENT MAY BE REPRODUCED, REDISTRIBUTED, OR OTHERWISE DISCLOSED TO ANY THIRD PARTY WITHOUT QSC'S WRITTEN PERMISSION.



TOP VIEW



ISOMETRIC VIEW



STAND WITH 5" TOUCHSCREEN CONTROLLER INSTALLED

SIZE	DWG. NO.	REV
B	FG-901459-2D	A
SCALE: 1:2	CAD FILE: FG-901459-2D	SHEET: 2 OF 2