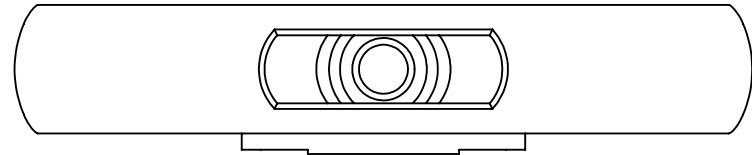
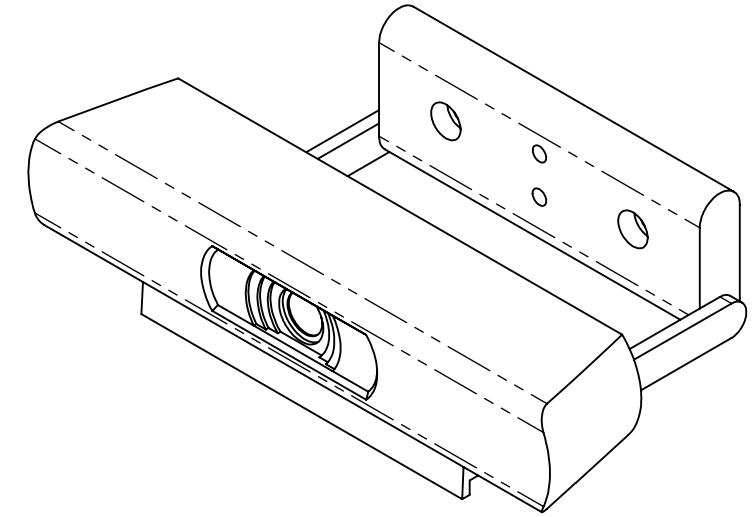


THIS DOCUMENT CONTAINS CONFIDENTIAL OR PROPRIETARY INFORMATION WHICH IS THE PROPERTY OF QSC, LLC THAT MAY NOT BE DISCLOSED, REPRODUCED OR USED WITHOUT EXPRESS WRITTEN CONSENT FROM QSC, LLC. NO PORTION OF THIS DOCUMENT MAY BE REPRODUCED, REDISTRIBUTED, OR OTHERWISE DISCLOSED TO ANY THIRD PARTY WITHOUT QSC'S WRITTEN PERMISSION.

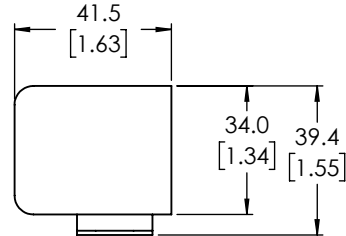
REVISIONS			
REV	DESCRIPTION	BY	DATE
A	INITIAL RELEASE	SS	30-JUN-21

NOTES: UNLESS OTHERWISE SPECIFIED

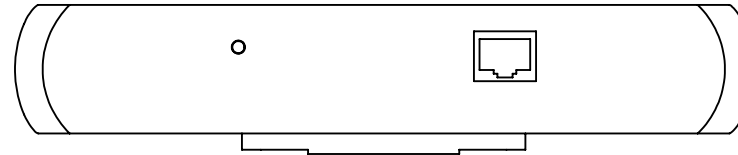
- NET WEIGHT CAMERA ONLY APPROX. 0.18 KG [0.4 LBS], CAMERA AND MOUNTING BRACKET APPROX. 0.41 KG [0.9 LBS].
- PARTS ARE SYMMETRICAL ABOUT CENTER LINES UNLESS OTHERWISE NOTED.
- BRACKET ADAPTER, 1/4- 20 THREAD.
- BRACKET ADAPTER, M2 X 0.4 THREAD, 2 PLACES.
- BRACKET BOTTOM, 1/4- 20 THREAD.



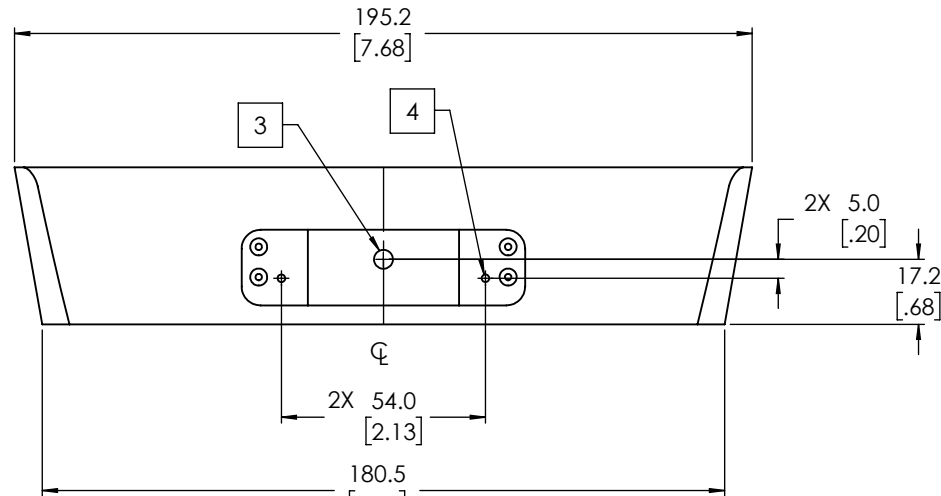
CAMERA FRONT VIEW



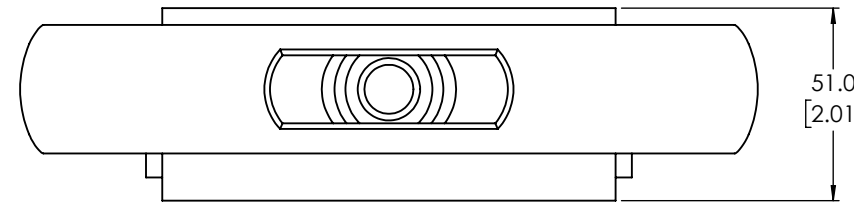
CAMERA SIDE VIEW



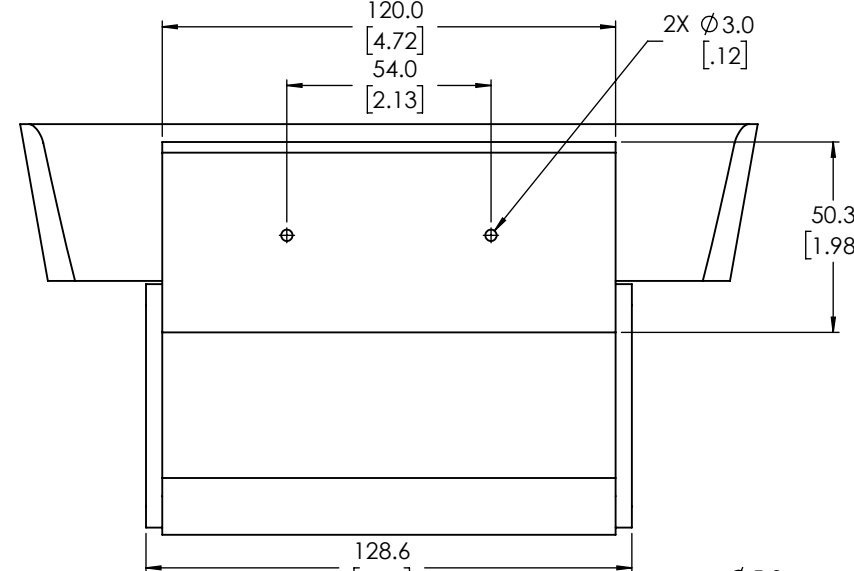
CAMERA REAR VIEW



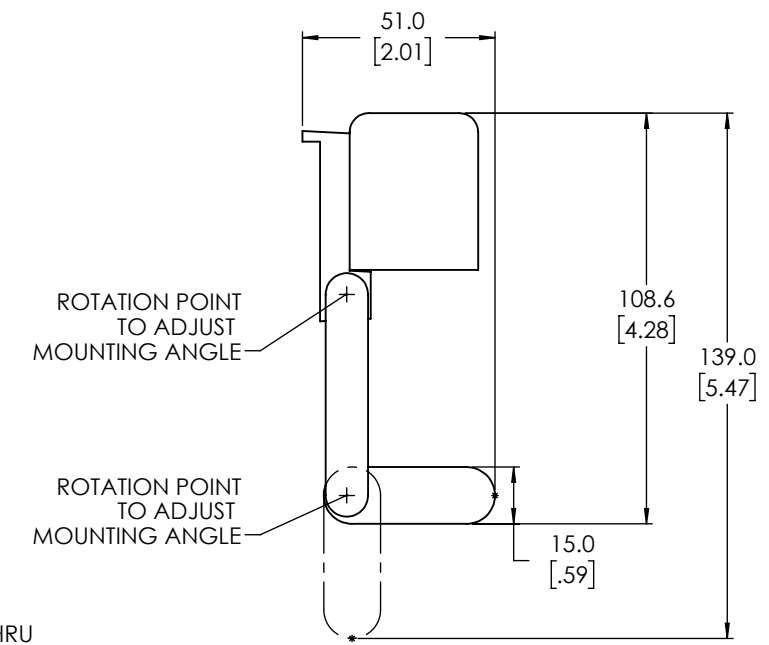
CAMERA BOTTOM VIEW



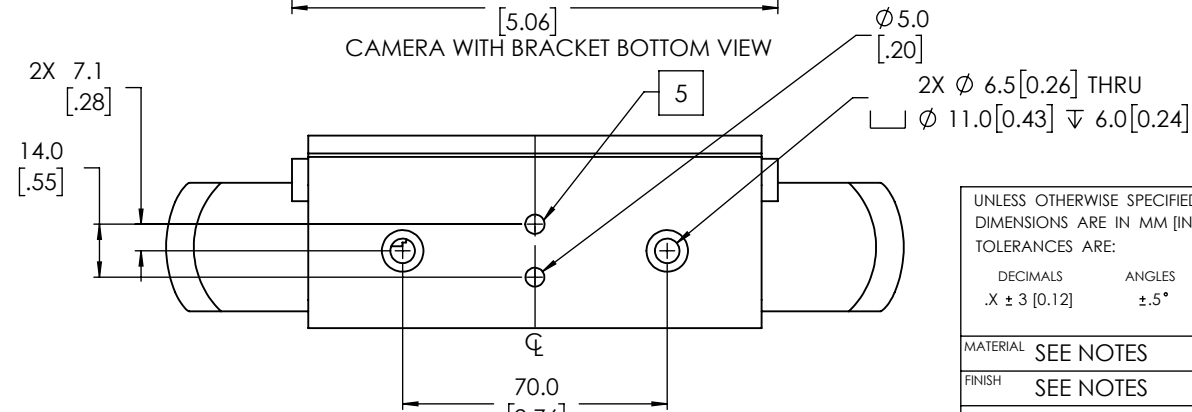
CAMERA WITH BRACKET FRONT VIEW



CAMERA WITH BRACKET BOTTOM VIEW



CAMERA WITH BRACKET SIDE VIEW



BRACKET BOTTOM VIEW

UNLESS OTHERWISE SPECIFIED DIMENSIONS ARE IN MM [IN]	
DECIMALS	ANGLES
.X ± 3 [0.12]	±.5°
MATERIAL	SEE NOTES
FINISH	SEE NOTES
DO NOT SCALE DRAWING	
PROJECTION SYMBOL	

CAD GENERATED DRAWING DO NOT MANUALLY UPDATE	
APPROVALS	
DRAWN BY	S. STASIAK
MECH ENGINEER	T. GOSSARD
TECH DIRECTOR	R. PRING
MFG ENGINEER	T. MORGAN

<b>QSC</b> QSC, LLC		1675 MACARTHUR BOULEVARD COSTA MESA, CA 92626 USA	
VIDEO, NC-110, FINISHED			
SIZE	CAGE CODE	DWG. NO.	REV
B	00PW4	FG-901515-2D	A
SCALE: 1:2	CAD FILE: FG-901515-2D	SHEET: 1 OF 1	