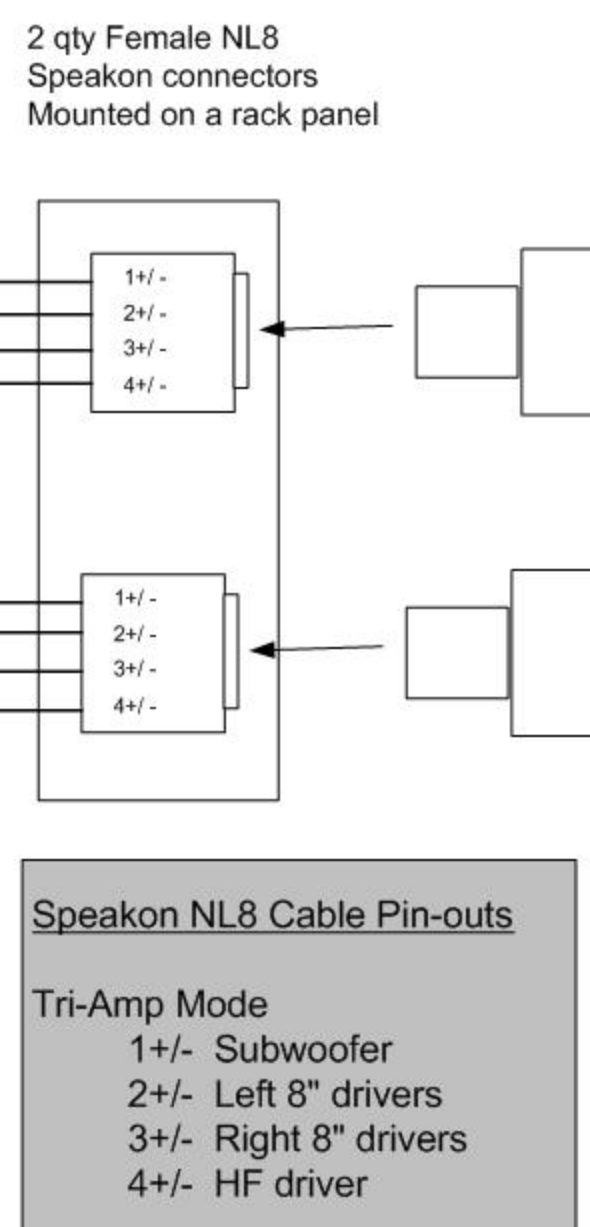
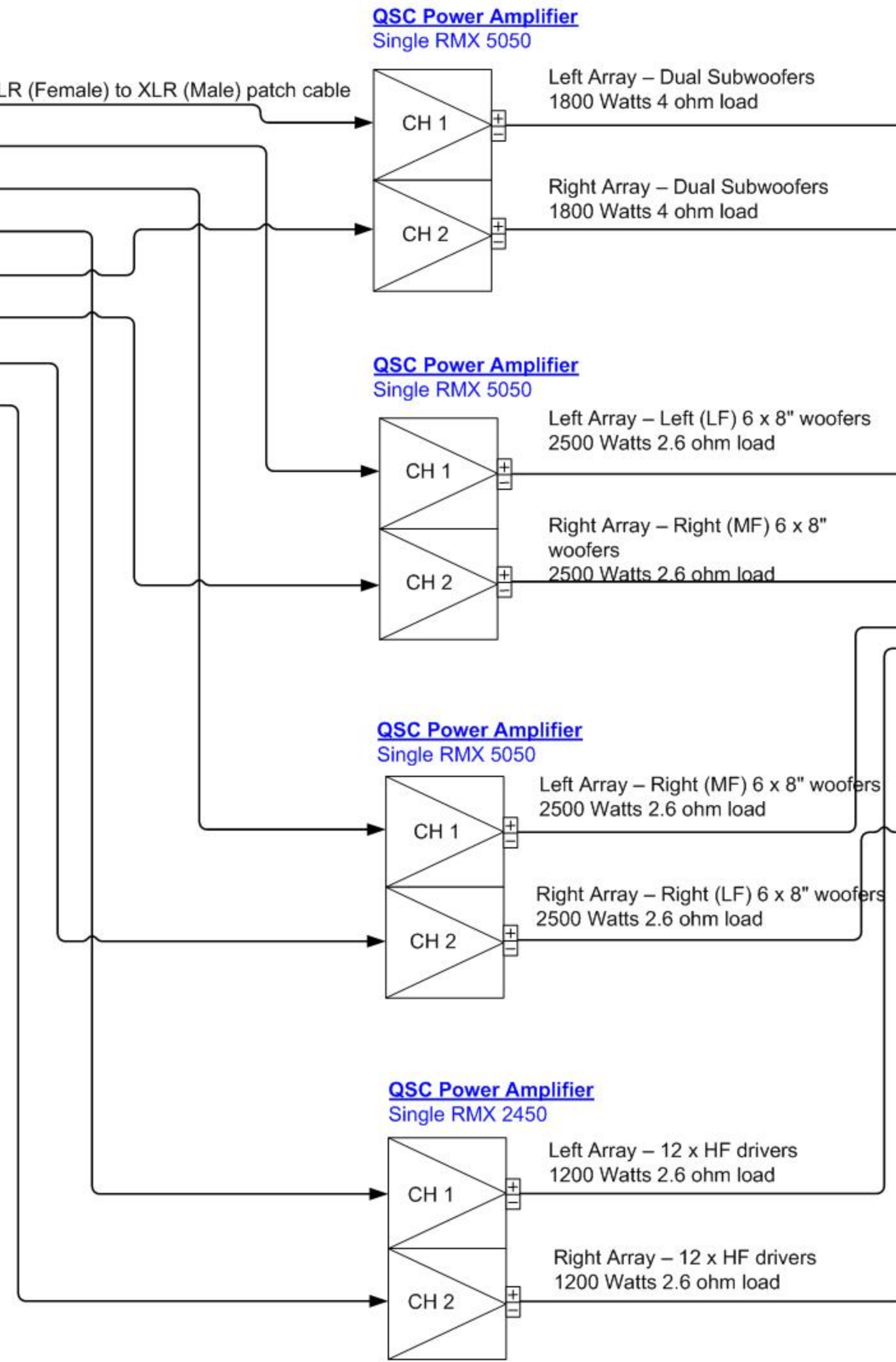
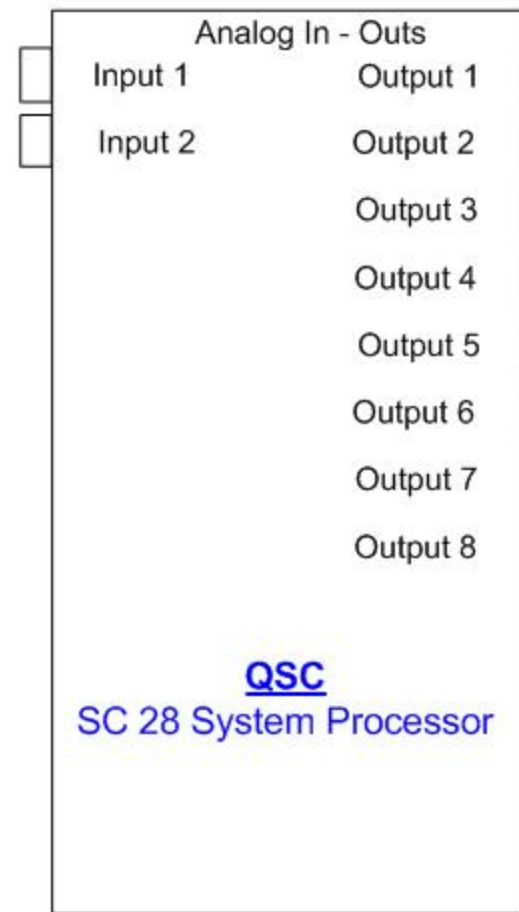
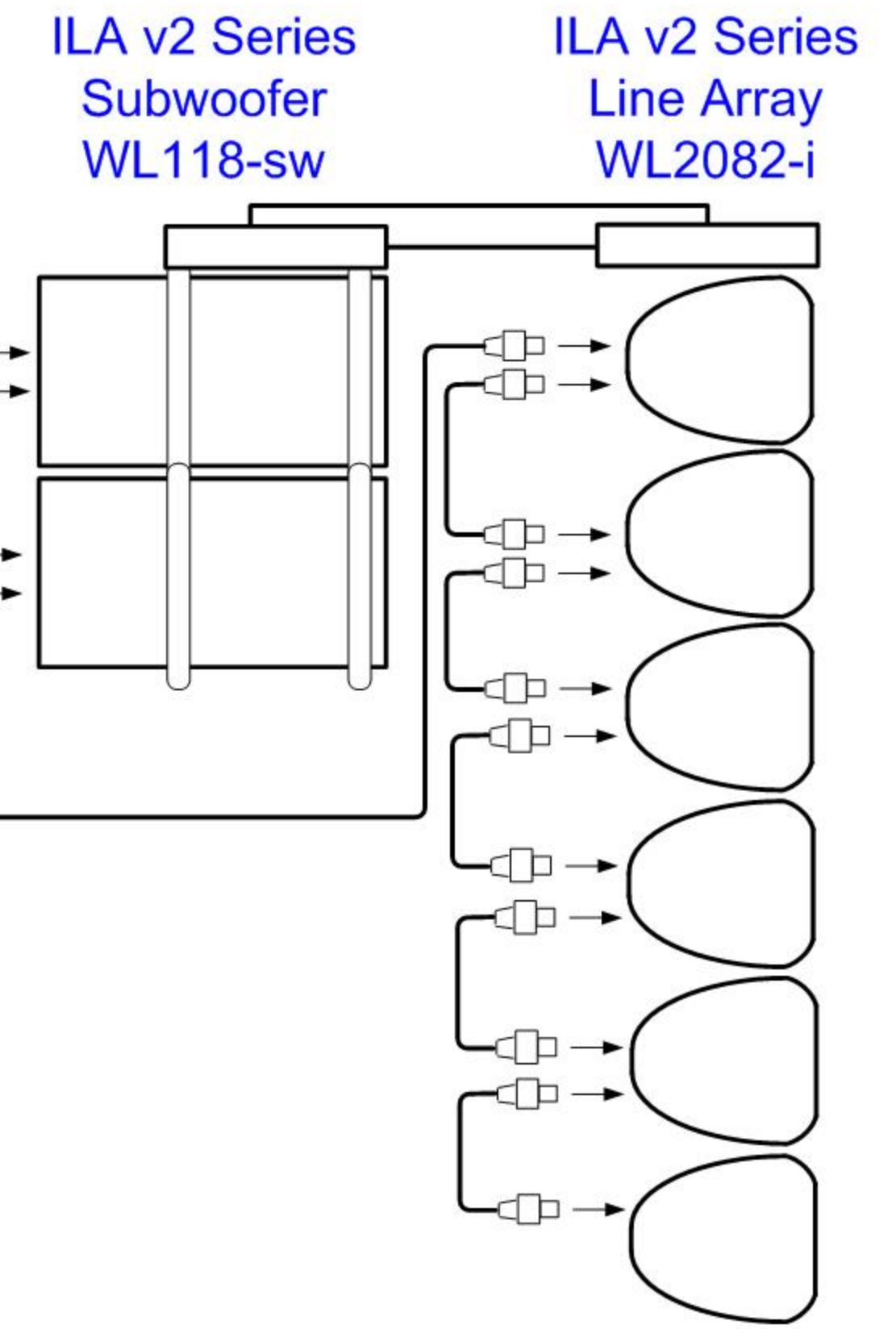


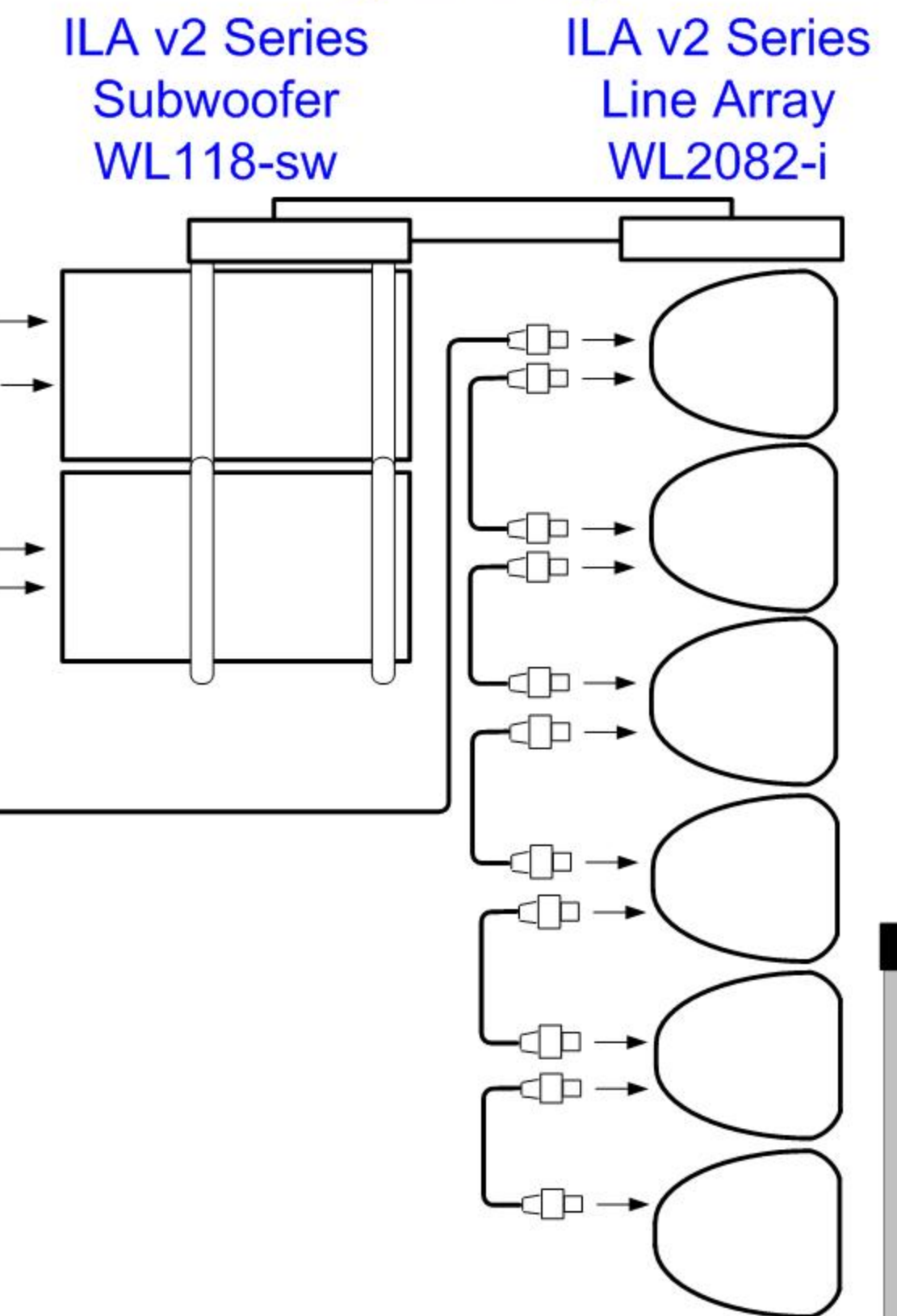
**Recommended Processor:**  
QSC SC 28 Processor  
with Intrinsic Correction™



**Left Array**



**Right Array**



**Electronics Parts List**

- (1) One SC 28 Digital System Controller
- (1) One RMX2450 power amplifier
- (3) Three RMX5050 power amplifiers



**Suspension Hardware Options**

- Parts**
- FB2082-i – Fly Grid
  - EB2082-i – Extension Bar
  - PB2082-i – Pull-back Bar

- For ILA WL2082-i only  
1 qty FB2082-i per array
- For ILA with Sub flown above array  
1 qty FB2082-i per array
- For ILA with Subs flown behind array  
2 qty FB2082-i per array  
1 qty EB2082-i per array
- For larger arrays or arrays requiring downward tilt more than 20 degrees  
1 qty PB2082-i per array



**System Layout**

QSC Audio Products Inc.

ILA v2 Series

Stereo line arrays with subs  
6 top elements and 2 subs per array

Tri-amp mode