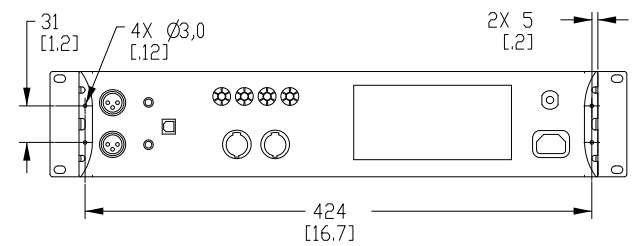
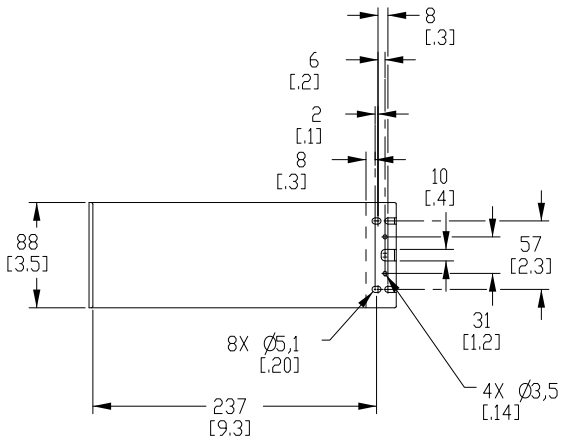
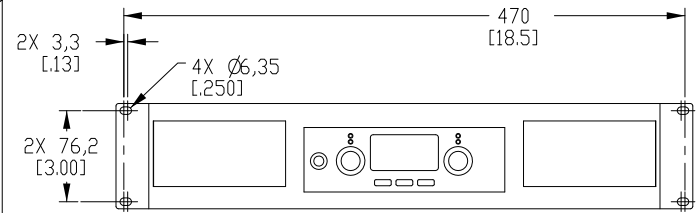
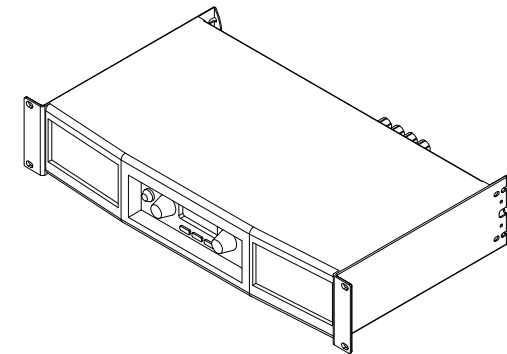
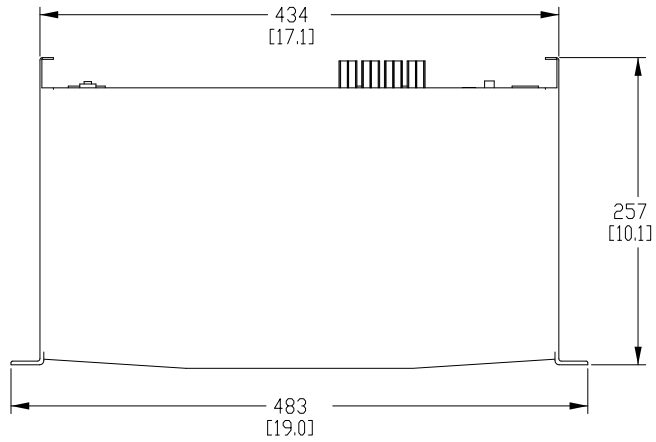


THIS DOCUMENT CONTAINS PROPRIETARY INFORMATION WHICH IS THE PROPERTY OF QSC AUDIO PRODUCTS. IT MAY NOT BE DISCLOSED, REPRODUCED OR USED WITHOUT EXPRESS WRITTEN CONSENT FROM QSC AUDIO PRODUCTS.

REVISIONS					
REV	ECD	DESCRIPTION	BY	EFF DATE	ISSUED
A	-	RELEASED	CR	-	-



- 3. NET WEIGHT APPROXIMATELY 5.2 KG [11.5 LBS].
  - 2. CHASSIS DESIGNED TO MEET 2U RACK MOUNT SPECIFICATIONS.
  - 1. FEATURES SYMMETRICAL ABOUT CENTER LINE.
- NOTES: UNLESS OTHERWISE SPECIFIED:

UNLESS OTHERWISE SPECIFIED DIMENSIONS IN MILLIMETERS (IN)	APPROVALS	DATE	QSC AUDIO PRODUCTS, LLC 1675 MACARTHUR BOULEVARD COSTA MESA, CA 92626
	DRAWN <b>C. REIS</b> CHECKED DEBURR EDGES 25 (100) R MAX MATERIAL FINISH	06-NOV-14 - - -	
MODEL INFO <b>FG-440000-2D.1.3</b>			DO NOT SCALE DRAWING SHEET <b>1</b> OF <b>1</b>